



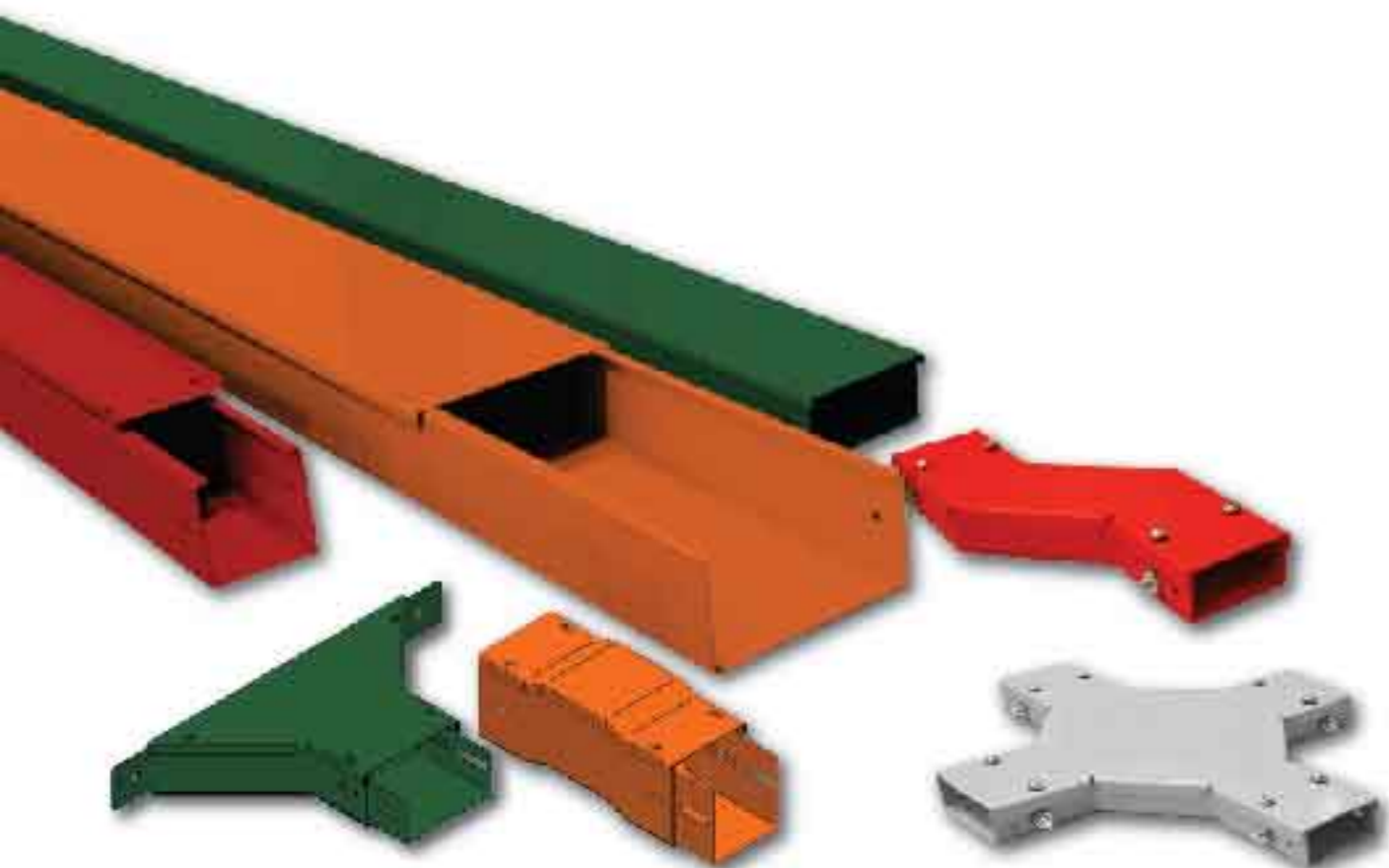
Cable Support Systems Manufacturer



Company Intro

Sirijaya Industries Sdn Bhd started producing cable support systems since 2009 also is a well-established light fittings manufacturer for more than 40 years.

Cable management is essential to create a visually pleasing and clean work environment. Managing cables or wires helps to maintain basic functionality and also protect the devices from the clogged airflow due to unorganised and disordered wires. Cable management both supports and contains cables during installation, and makes subsequent maintenance or changes to the cable system easier.



Cable Trunking

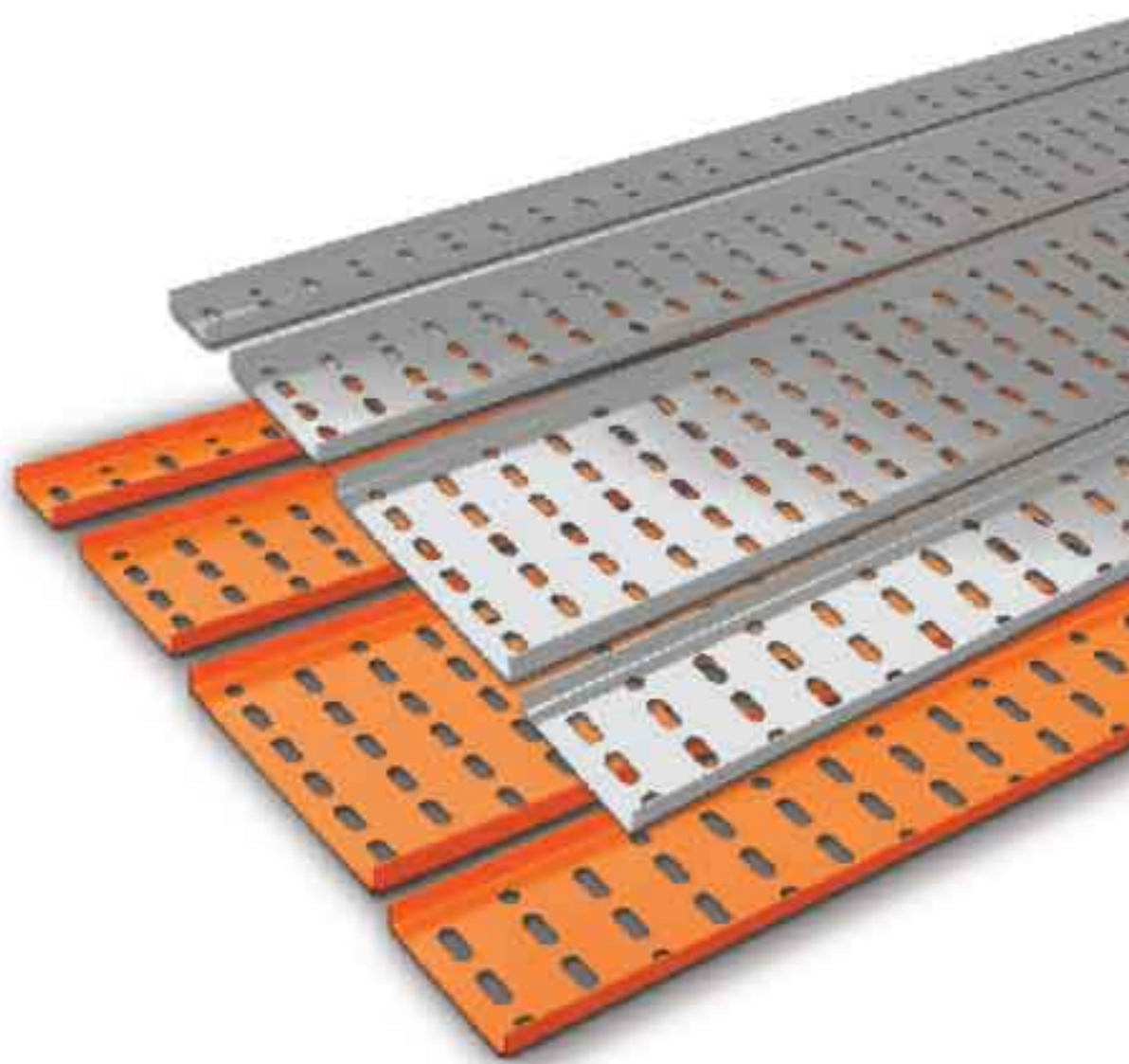
Our mission is to be your first choice for the supply of cable support systems, and having a dedicated team of professionals is an essential platform in achieving that goal.

You can be assured of Sirijaya Industries Sdn Bhd's commitment to continually improving our range, our product quality, our value for money and our delivery lead time.

We are introducing the Turnbuckle for cable trunking cover. Using the Turnbuckle cover can be a great way to reduce cost, labor, and time.

Sirijaya Industries Sdn Bhd is an innovative company and always dedicated to ensuring high quality products are available when it's needed by customers.





Cable Tray

Proper cable management can increase safety measures in the work place. Fire is a cause for concern after cable installation and loose cable can become tangled with each other possibly creating a spark. This spark can then turn into a fire damaging your network, data center and building. There is also the chance of someone coming by where the cables are installed and tripping, resulting in an injury. Always striving to meet the growing demands of a sophisticated market, our SJ Trunk range has evolved to provide a genuine one stop shop with the ability to satisfy your cable support needs.

Sirijaya Industries Sdn Bhd's Cable Trunk, Trays, Ladder, fittings and accessories are manufactured in compliance with international standards.



Cable Ladder



The New Type of Technology Steel Sheet

SuperDyma™

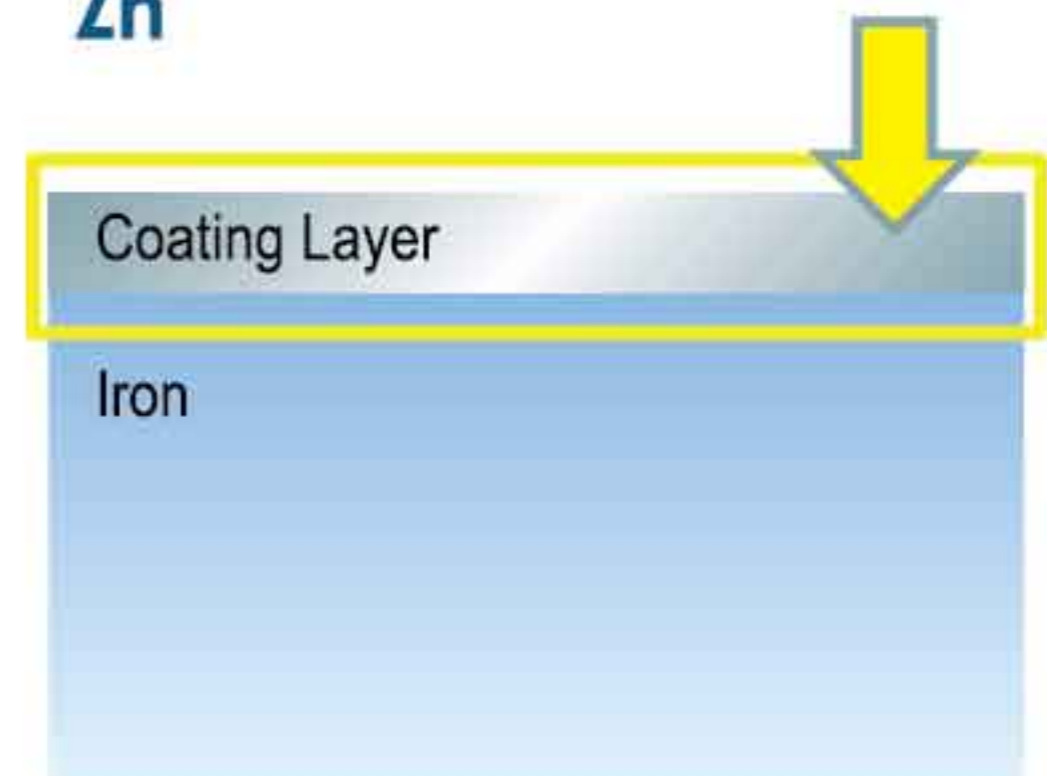
New Generation of high corrosion-resistant coated steel sheet by :



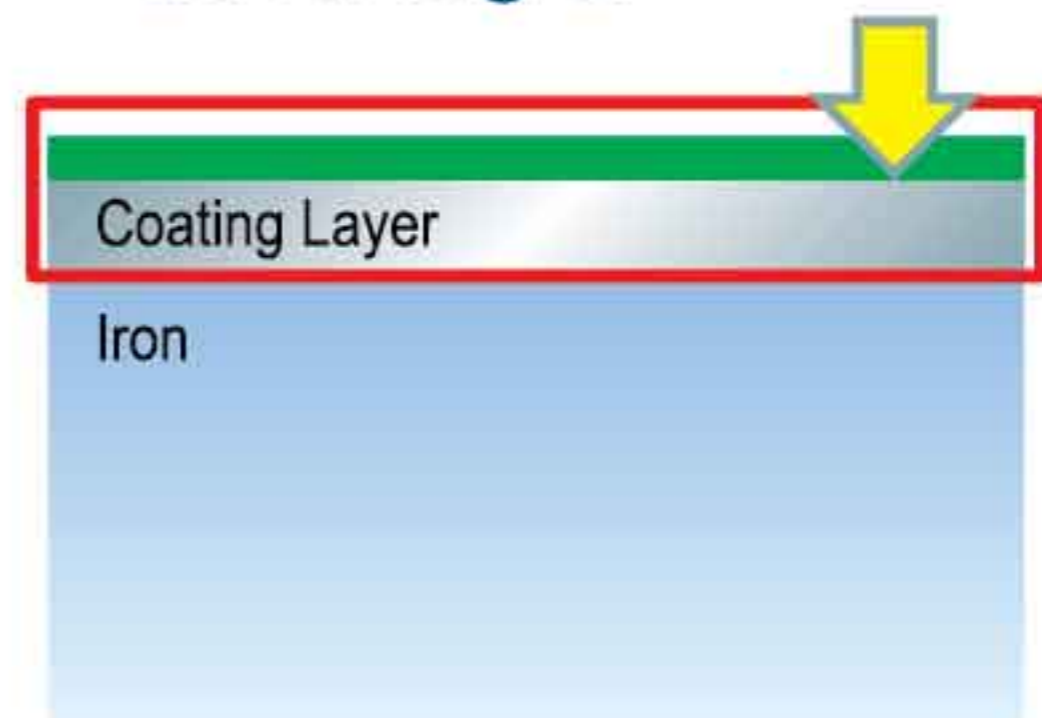
SuperDyma™ is a new type of highly corrosion-resistance coated steel sheet with a coating composition consisting of zinc (about 86%) as the main substrate in combination with aluminum (about 11%), magnesium (about 3%) and a trace amount of silicon.



▼ Hot dip zinc-coated sheet Zn



▼ SuperDyma™ Zn-Al-Mg-Si





Mechanism of Corrosion Resistance

Corrosion Protection Mechanism on Cut-end Surfaces and at welded Sections

EXPOSURE PERIOD

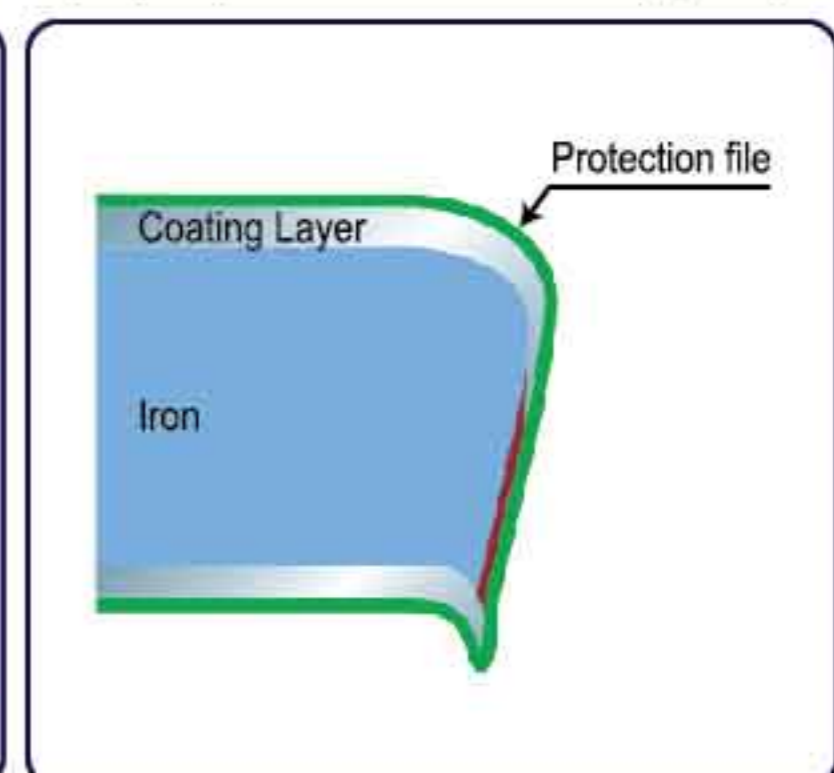
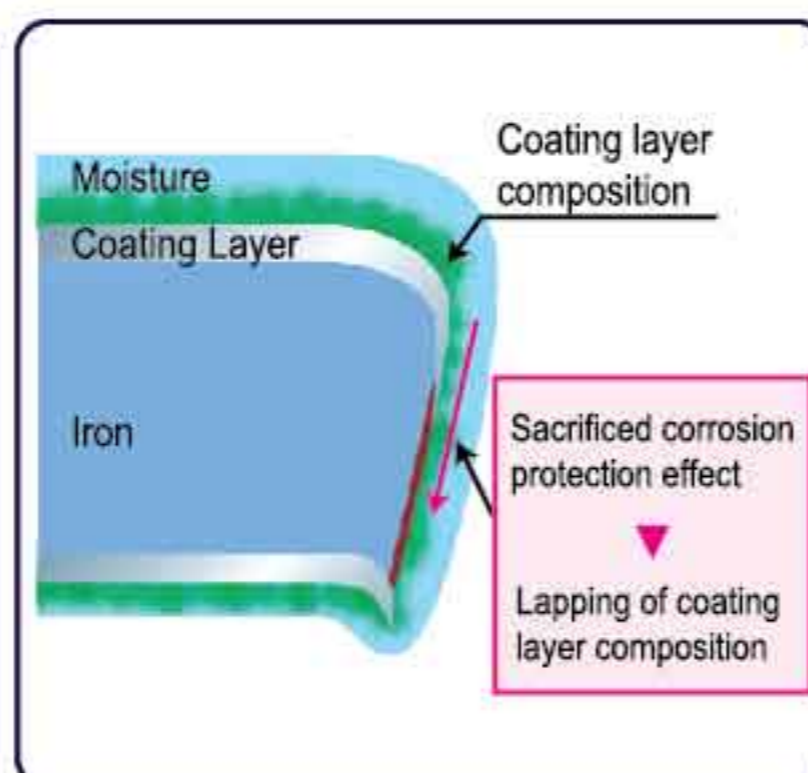
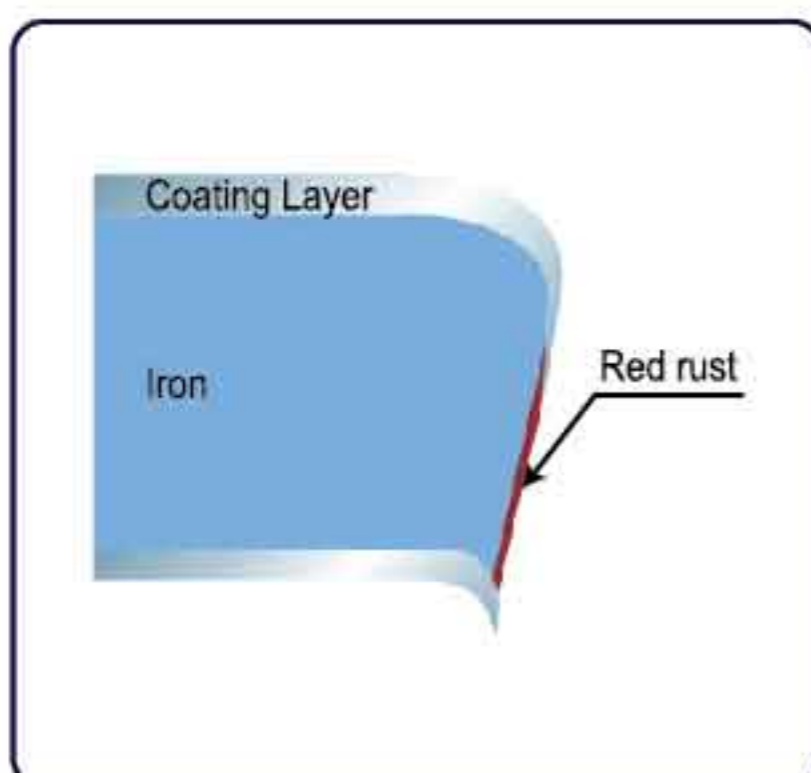
Early state

Middle state

Later state

(several year to until when the zinc on the periphery of the cut end face disappears)

Cut Surface conditions



Apperance of the end surface





Cable Support Systems

Salt Spray Test

▼ Hot Dip Galvanized ▼

REPORT NO.: 20190204

Test Results

Product : Hot Dip Galvanized
 Brand : JIS
 Marking : JIS
 Size : 75 mm x 45 mm

Test Method : JIS Z 2371 - 11 Standard Practice for Corrosive Salt Spray (Fog) Apparatus

Test Condition

Duration of exposure : 2000 hours
 Temperature : 35°C
 Salt solution used : 5% of NaCl
 Volume of salt collected in 24 hours : 1.2 ml

No.	Type of Protection	Result
1	Hot Dip Galvanized (Zn-500)	10

Table 1 Scale for Description of Salt Rating

Rating Number	Percent of Surface Rusted
0	Less than 5%
1	5 to 10%
2	10 to 25%
3	25 to 50%
4	50 to 75%
5	75 to 90%
6	90 to 95%
7	95 to 99%
8	99 to 100%
9	100%

REPORT NO.: 20190204

Test Results

Product : SuperDyma
 Brand : SuperDyma
 Marking : SuperDyma
 Size : 75 mm x 45 mm

Test Method : JIS Z 2371 - 11 Standard Practice for Corrosive Salt Spray (Fog) Apparatus

Test Condition

Duration of exposure : 2000 hours
 Temperature : 35°C
 Salt solution used : 5% of NaCl
 Volume of salt collected in 24 hours : 1.2 ml

No.	Type of Protection	Result
1	SuperDyma (Zn-500)	10

Table 1 Scale for Description of Salt Rating

Rating Number	Percent of Surface Rusted
0	Less than 5%
1	5 to 10%
2	10 to 25%
3	25 to 50%
4	50 to 75%
5	75 to 90%
6	90 to 95%
7	95 to 99%
8	99 to 100%
9	100%

▼ SuperDyma™ ▼

REPORT NO.: 20190204

Test Results

Product : SuperDyma
 Brand : SuperDyma
 Marking : SuperDyma
 Size : 75 mm x 45 mm

Test Method : JIS Z 2371 - 11 Standard Practice for Corrosive Salt Spray (Fog) Apparatus

Test Condition

Duration of exposure : 2000 hours
 Temperature : 35°C
 Salt solution used : 5% of NaCl
 Volume of salt collected in 24 hours : 1.2 ml

No.	Type of Protection	Result
1	SuperDyma (Zn-500)	10

Table 1 Scale for Description of Salt Rating

Rating Number	Percent of Surface Rusted
0	Less than 5%
1	5 to 10%
2	10 to 25%
3	25 to 50%
4	50 to 75%
5	75 to 90%
6	90 to 95%
7	95 to 99%
8	99 to 100%
9	100%

REPORT NO.: 20190204

Test Results

Product : SuperDyma
 Brand : SuperDyma
 Marking : SuperDyma
 Size : 75 mm x 45 mm

Test Method : JIS Z 2371 - 11 Standard Practice for Corrosive Salt Spray (Fog) Apparatus

Test Condition

Duration of exposure : 2000 hours
 Temperature : 35°C
 Salt solution used : 5% of NaCl
 Volume of salt collected in 24 hours : 1.2 ml

No.	Type of Protection	Result
1	SuperDyma (Zn-500)	10

Table 1 Scale for Description of Salt Rating

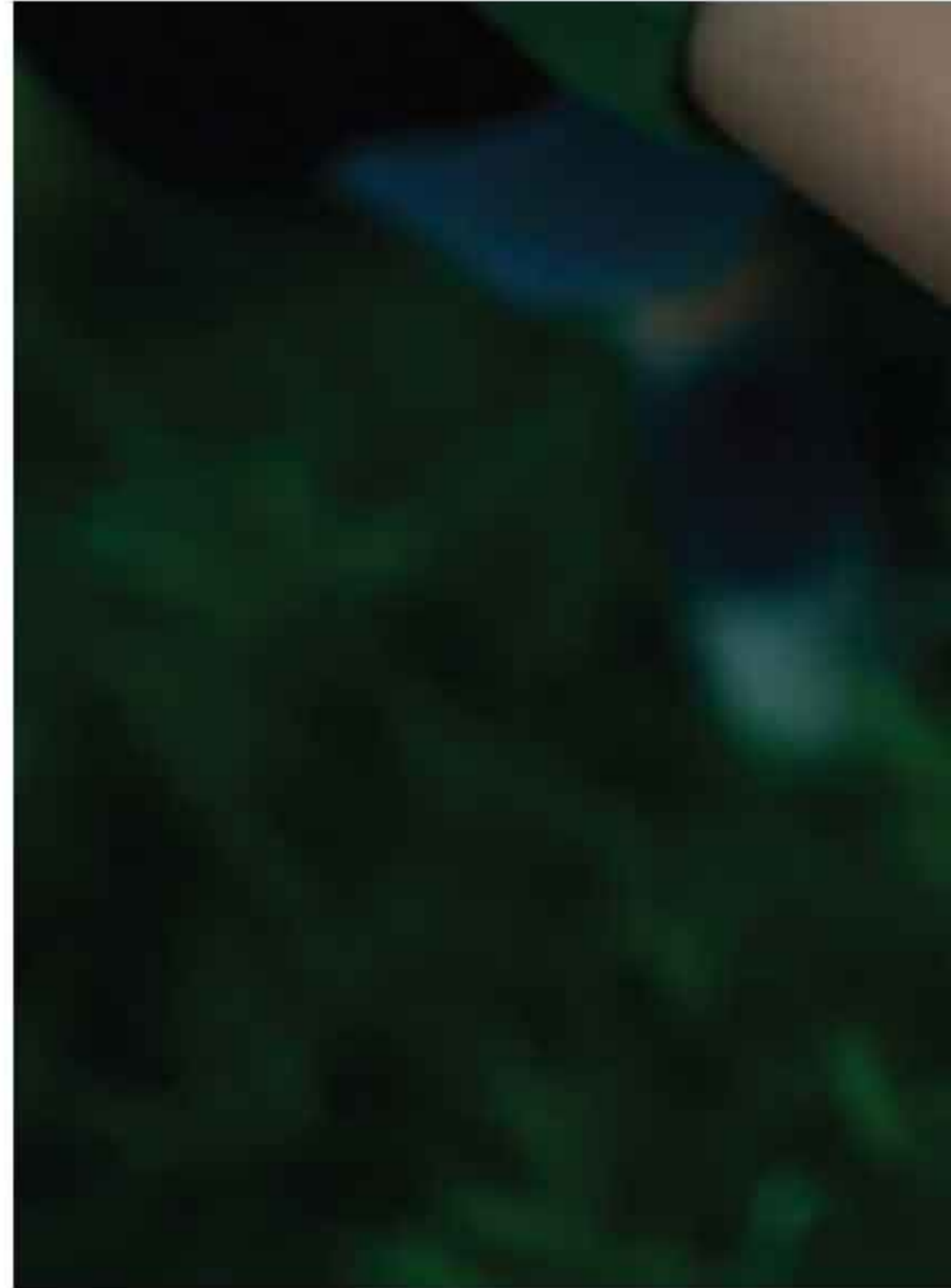
Rating Number	Percent of Surface Rusted
0	Less than 5%
1	5 to 10%
2	10 to 25%
3	25 to 50%
4	50 to 75%
5	75 to 90%
6	90 to 95%
7	95 to 99%
8	99 to 100%
9	100%

Summary

Salt Spray Test Result

	<p>Hot Dip Galvanized</p>	<p>SuperDyma™</p>
<p>Reference Standard / Method of Test</p>	<p>ASTM B117-16: Standard Practice for Operating Salt Spray (Fog) Apparatus ASTM D610-08 Standard Practice for Evaluating Degree of Rusting on Painted Steel Surfaces.</p>	
<p>Test Condition</p>	<p>Duration of Exposure : 2000 Hour Temperature of exposure zone : 35 Salt Solution used : 5% NaCl pH of collected solution : 6.8</p>	
<p>Test Result</p>	<p>Red Rust Evaluation criteria at 2000 hour : Result = 5 (Greater than 1.0% and up to 3.0%)</p>	<p>Red Rust Evaluation criteria at 2000 hour : Result = 10 (Less than or equal to 0.01%)</p>

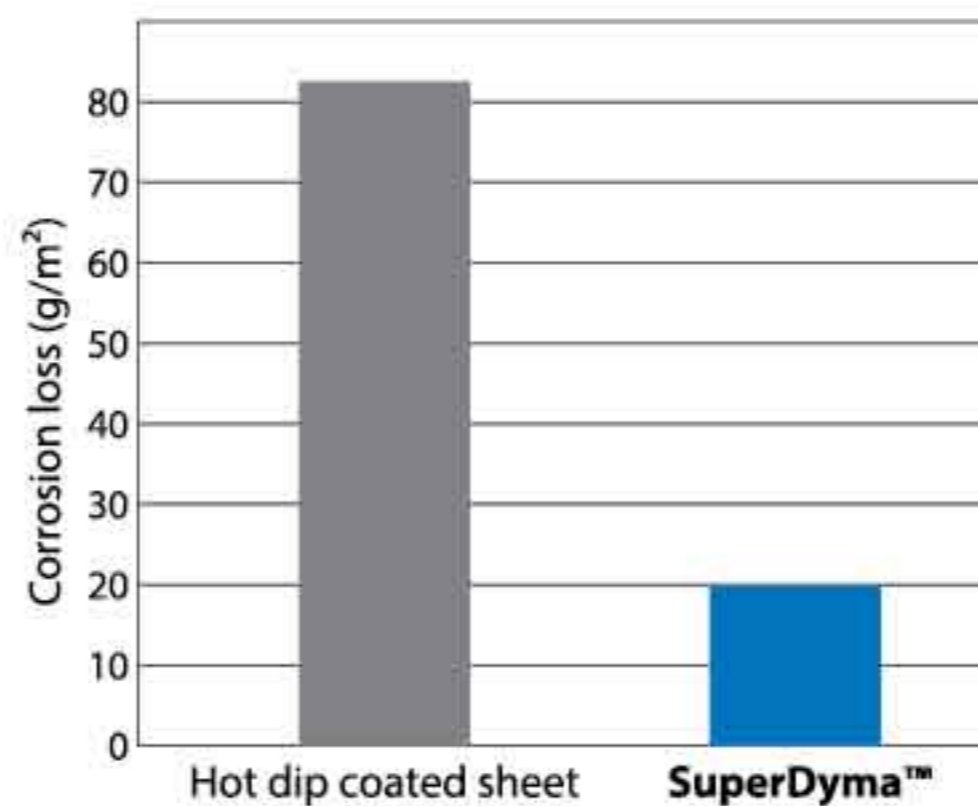
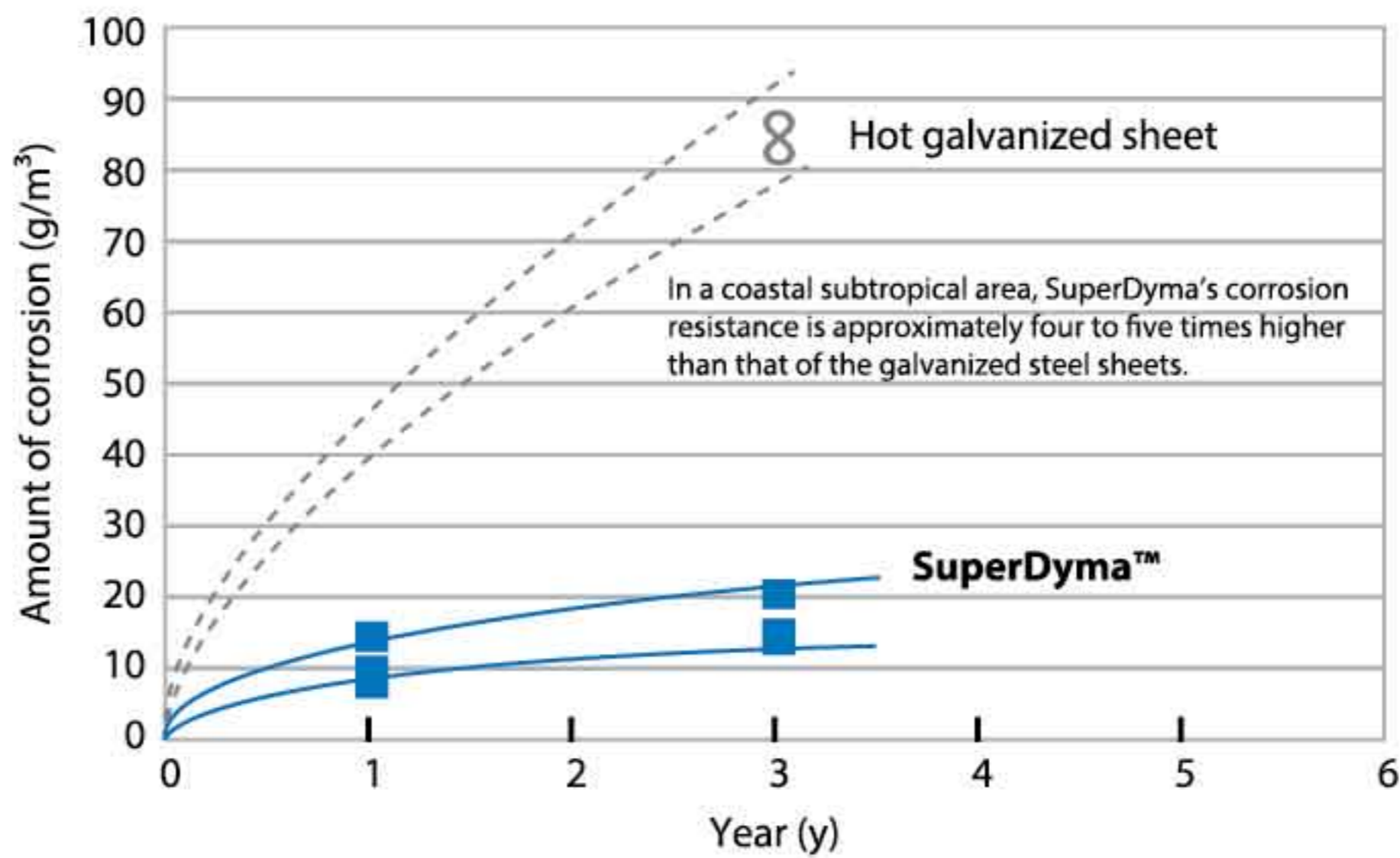




Mechanism of Corrosion Resistance

Coating Layer composition and Corrosion Resistance (Exposure Test)

Outdoor exposure (coastal and subtropical area) : amount of corrosion after three years



The result have shown that SuperDyma™ has 3-4 times stronger resistance than that of a normal hot-dip galvanized steel sheet with same coating weight.



Environmental Friendly Production Process

Same product quality as current chromate SuperDyma™



Chromate-free SuperDyma™ has the same quality as Chromate treatment in terms of Corrosion resistance, appearance, and other quality aspects.

In short, Chromate-free SuperDyma™ can achieve both eco-friendliness and high quality.

Chromate-free SuperDyma™ is definitely environmental friendly compared to Chromate treatment simply because we don't need to use chromate.

If you change into chromate-free SuperDyma™, we can issue the document called ICP data which can prove that our products comply with RoHS directive.



Why SuperDyma™ ?

Key Benefits of SuperDyma™ Product

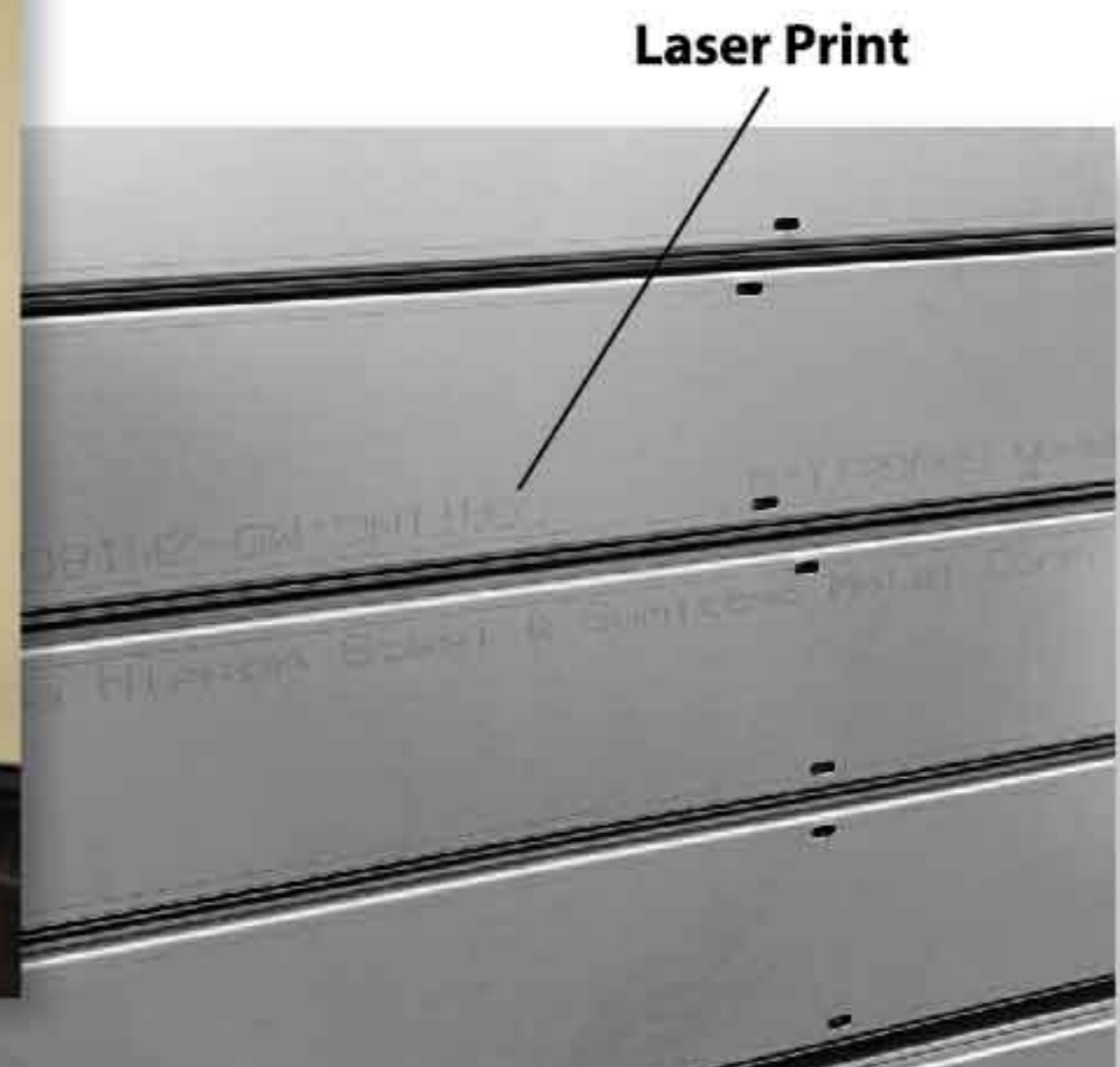
- **QUALITY** : Better corrosion resistance compared to HDG zinc coated
- **PROCESS LEAD TIME** : Faster and predictable lead time, strong supply chain
- **USER'S ADDITIONAL PROFIT** : Less maintenance and less downtime
- **ENVIRONMENTAL** : RoHS Compliance
- **SAFETY** : Unlike HDG finishing, SuperDyma™ surface is smooth and hard, less accident
- **AREA of APPLICATIONS** : Suitable for indoor and outdoor, above ground and underground





“Why you need to get SuperDyma™ product from Sirijaya Metal”

- 1) Raw material produced by Nippon Steel Corporation, genuine quality with SIRIM approval.
- 2) Complied to MS2657:2016 (HOT-DIP ZINC ALLOYED WITH ALUMINIUM AND MAGNESIUM STEEL SHEET AND STRIP).
- 3) With our group of product development engineers and quality controllers, we supply high quality cable support products which suit client’s application environment.



▲ Authorized Distributorship From Nippon Steel & Sumitomo Metal

Project References



MAHKAMAH TINGGI
 DUOPHARMA BIOTECH BERHAD
 INTEL
 QVI FOODS SDN BHD
 ELMINA
 HOSPITAL PANTAI
 TTM FACTORY
 ELNA PCB FACTORY
 WESTERN DIGITAL FACTORY
 TREE O RESIDENCE
 GDS DATA CENTRE
 HAVANA RESIDENCE
 ULTROPOLIS PLOT 4 RESIDENCE
 IDEAL RESIDENCE
 THE LIGHT RAIL TRANSIT LINE 3 (LRT3) SHAH ALAM
 AEON
 ARENA NIBONG TEBAL
 ATRIUM WAREHOUSE
 BANDAR BARU BANGI OSTIA BUSINESS PARK
 BANDAR KEPALA BATAS SDN BHD
 BEST ETERNITY RECYCLING TECHNOLOGY
 CANON OPTO FACTORY
 DEWAN BUKIT KEPONG
 DEWAN GERISIK JOHOR
 DEWAN JOHOR (BUKIT PASIR)
 ECONSAVE
 FUJI MALAYSIA (KULIM)
 HELIOSEL (S13)
 HELIX 2
 HILTON KUCHING
 HOSPITAL SELGATE SEPANG
 HOSPITAL SERI ISKANDAR
 HOTEL AMAN ELITE
 INSTITUT JANTUNG NEGARA KL
 ICONIC
 JP KK PAPAR
 KAIFA PHASE 2
 MEGA CONTINENTAL
 MELEXIS
 PARAMOUNT SAVANA PLOT 3
 PENANG SCIENCE PARK NORTH
 PENTAMASTER
 POLIKLINIK SG PETANI
 PROTON TANJUNG MALIM
 QUANTUM DENSITY TR2

PENANG
 SELANGOR
 PENANG
 BALAKONG
 SHAH ALAM
 PENANG
 PENANG
 PENANG
 PENANG
 PENANG
 JOHOR
 PENANG
 PENANG
 PENANG
 JOHOR
 PENANG
 PENANG
 PENANG
 KUALA LUMPUR
 KUALA LUMPUR, SELANGOR, PERAK
 PENANG
 SELANGOR
 SELANGOR
 PENANG
 SELANGOR
 SELANGOR
 JOHOR
 JOHOR
 JOHOR
 KELANTAN, SELANGOR, PAHANG,
 NEGERI SEMBILAN
 KEDAH
 SELANGOR
 SELANGOR
 SARAWAK
 SELANGOR
 PERAK
 KUALA LUMPUR
 KUALA LUMPUR
 PENANG
 SABAH
 JOHOR
 PENANG
 SARAWAK
 PENANG
 PENANG
 PENANG
 KEDAH
 PERAK
 KUALA LUMPUR

SK SEBEMBAN BETONG
 SMK SG POAH SARIKEI
 SOLARVEST PROJECT
 UMCITY MEDINI LAKSIDE
 UTROPOLIS PLOT 4
 WORLDWIDE VENTURE
 YTL DATA CENTER (KULAI)
 AFFIN BANK
 HOSPITAL JERANTUT
 MYDIN, KELANTAN
 SMART MODULAR TECHNOLOGIES
 THE ZEN
 TOYO TIRES MALAYSIA
 MUDA PAPER MILLS
 ECONSAVE
 PENJARA SIMPANG RENGGAM
 SANDISK
 CENTRAL PARK KOTA DAMANSARA
 JISHAN PACK SDN BHD
 SELINSING GOLD MINE
 JINGJING TECHNOLOGY
 DM LHDN, KARPAL SINGH
 MIRI HOSPITAL
 WESTERN DIGITAL, KUCHING
 APMM, MIRI
 THE GLEN, KUCHING
 KOLEJ VOKASIONAL BETONG, KUCHING
 MARRIOTT HOTEL
 UCT
 TF AMD
 INTEL
 OSRAM
 FLEXTRONIC PRAI
 BIOCON
 WESTERN DIGITAL
 ECO MEDI GLOVE
 JINKO
 SUN POWER
 JABIL PHASE 2
 PNB118
 UTAR, KAMPAR
 INT SCHOOL TENBY
 TF AMD MICROELECTRONICS S/B
 IDEAL GIM VENTURE (Q2)
 QUEENS WATERFRONT2

SARAWAK
 SARAWAK
 PERAK
 JOHOR
 PENANG
 PENANG
 JOHOR
 KUALA LUMPUR
 PAHANG
 KELANTAN
 PENANG
 PENANG
 PERAK
 PENANG
 PERAK
 JOHOR
 PENANG
 SELANGOR
 PENANG
 PAHANG
 PENANG
 PENANG
 SARAWAK
 SARAWAK
 SARAWAK
 SARAWAK
 SARAWAK
 SARAWAK
 PENANG
 PENANG
 PENANG
 KEDAH
 PENANG
 JOHOR
 PENANG
 PERAK
 PENANG
 MELAKA
 PENANG
 KUALA LUMPUR
 PERAK
 PENANG,
 SELANGOR, JOHOR
 SELANGOR
 PENANG
 PENANG









Contents

Ordering References

pg17

Ordering References	17
---------------------	----

Classification References

pg18

Classification for Resistance Against Corrosion	18
---	----

Cable Trunking System

pg19- pg26

Cable Trunking Product Intro	19-20
Cable Trunking Straight	21-22
Cable Trunking Accessories	23-26



Perforated Cable Tray System pg27- pg48

Perforated Cable Tray Product Intro	27-28
Cable Tray "Type U" Straight	29-30
Cable Tray Accessories "Type U"	31-32
Cable Tray "Type C - 90D" Straight	33-34
Cable Tray Accessories "Type C - 90D"	35-36
Cable Tray "Type C - 45D" Straight	37-38
Cable Tray Accessories "Type C - 45D"	39-40
Cable Tray "Type R" Straight	41-42
Cable Tray Accessories "Type R"	43-44
Cable Tray "Type T" Straight	45-46
Cable Tray Accessories "Type T"	47-48

Cable Ladder System pg49 - pg70

Cable Ladder Product Intro	49-50
Cable Ladder "Type Z" Straight	51-52
Cable Ladder Accessories "Type Z"	53-54
Cable Ladder "Type G - Inner" Straight	55-56
Cable Ladder Accessories "Type G - Inner"	57-58
Cable Ladder "Type G - Outer" Straight	59-60
Cable Ladder Accessories "Type G - Outer"	61-62
Cable Ladder "Type C - Inner" Straight	63-64
Cable Ladder Accessories "Type C - Inner"	65-66
Cable Ladder "Type C - Outer" Straight	67-68
Cable Ladder Accessories "Type C - Outer"	69-70

Product Range	Profile Type	Size	Optional	Thickness	Material/Finishing	Color Coating
STK (Cable Trunking)	-	Refer Catalogue (Body Straight)	-	Refer Catalogue (Body Straight)	CR HDG EG *GI *SD *PM SS *Refer Below	Orange : O Red : R Green : G Blue : B Beige : E White : W Grey : Y
SCT (Cable Tray)	U (Type U)		-			
	C (Type C)		45D (45°)			
			90D (90°)			
	R (Type R)		-			
	T (Type T)		-			
SCL (Cable Ladder)	Z (Type Z)		*WD (Welded)			
			KD (Knock Down)			
	G/I (Type G, Inner)		*WD (Welded)			
			KD (Knock Down)			
	G/O (Type G, Outer)		*WD (Welded)			
	C/I (Type C, Inner)		*WD (Welded)			
			KD (Knock Down)			
	C/O (Type C, Outer)	*WD (Welded)				

*Material are not applicable for welded only.

Material

Cold Rolled SteelCR
 Hot Rolled SteelHDG
 Electro GalvanisedEG
 Galvanised IronGI
 SuperDymaSD
 PosMacPM
 Stainless SteelSS

Finishing

Epoxy powder Coated
 Hot Dip Galvanised
 Epoxy powder Coated
 Original Finish or with Epoxy Powder Coated
 Original Finish or with Epoxy Powder Coated
 Original Finish or with Epoxy Powder Coated
 Stainless Steel 304 or 316

Example Order: SCL/Z-(550x100)-WD/2.0/GI/O

Model

SCL / Z - (550 x 100)

Product Range

Profile Type

Size in mm (WxH)

Others

WD / 2.0 / GI / O

Optional

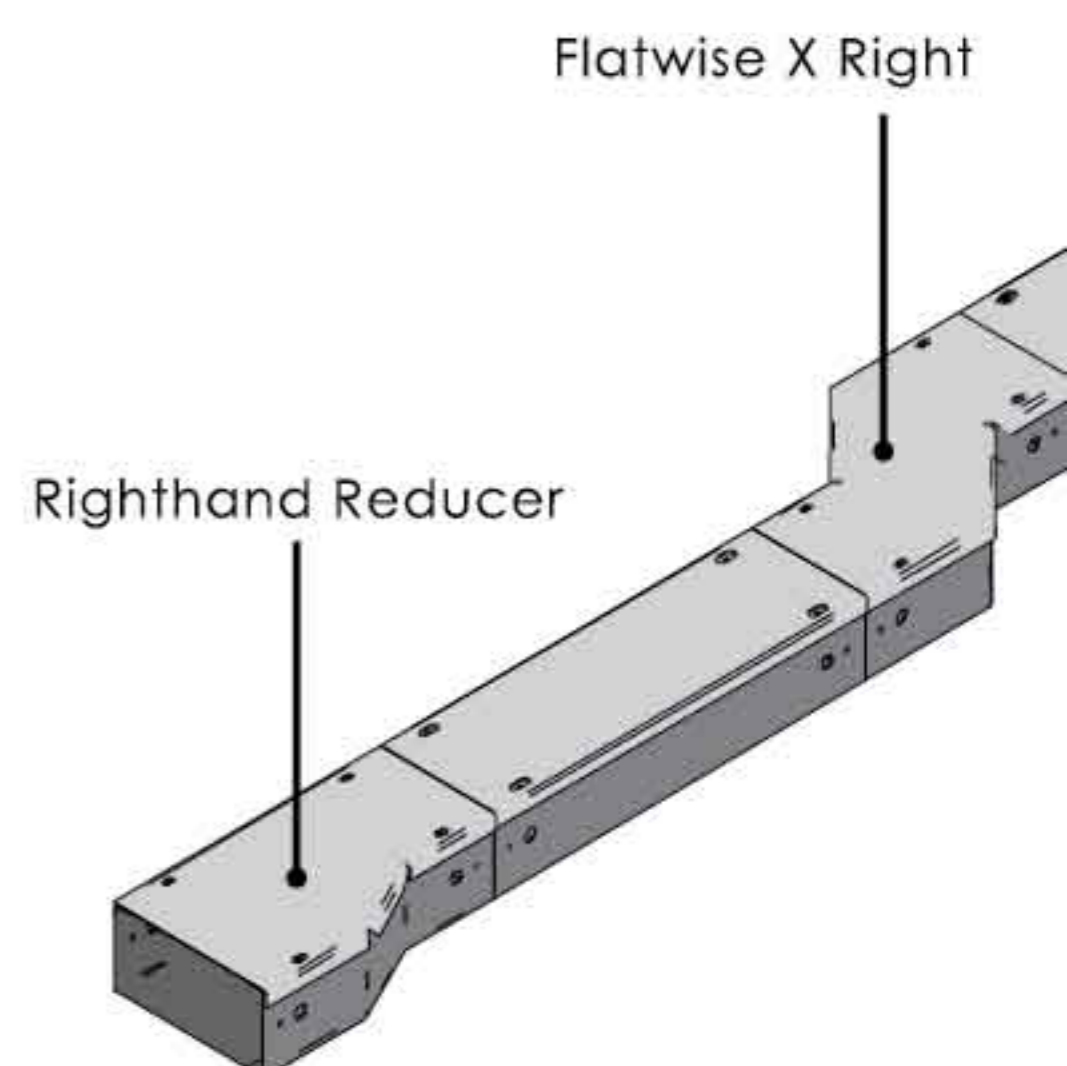
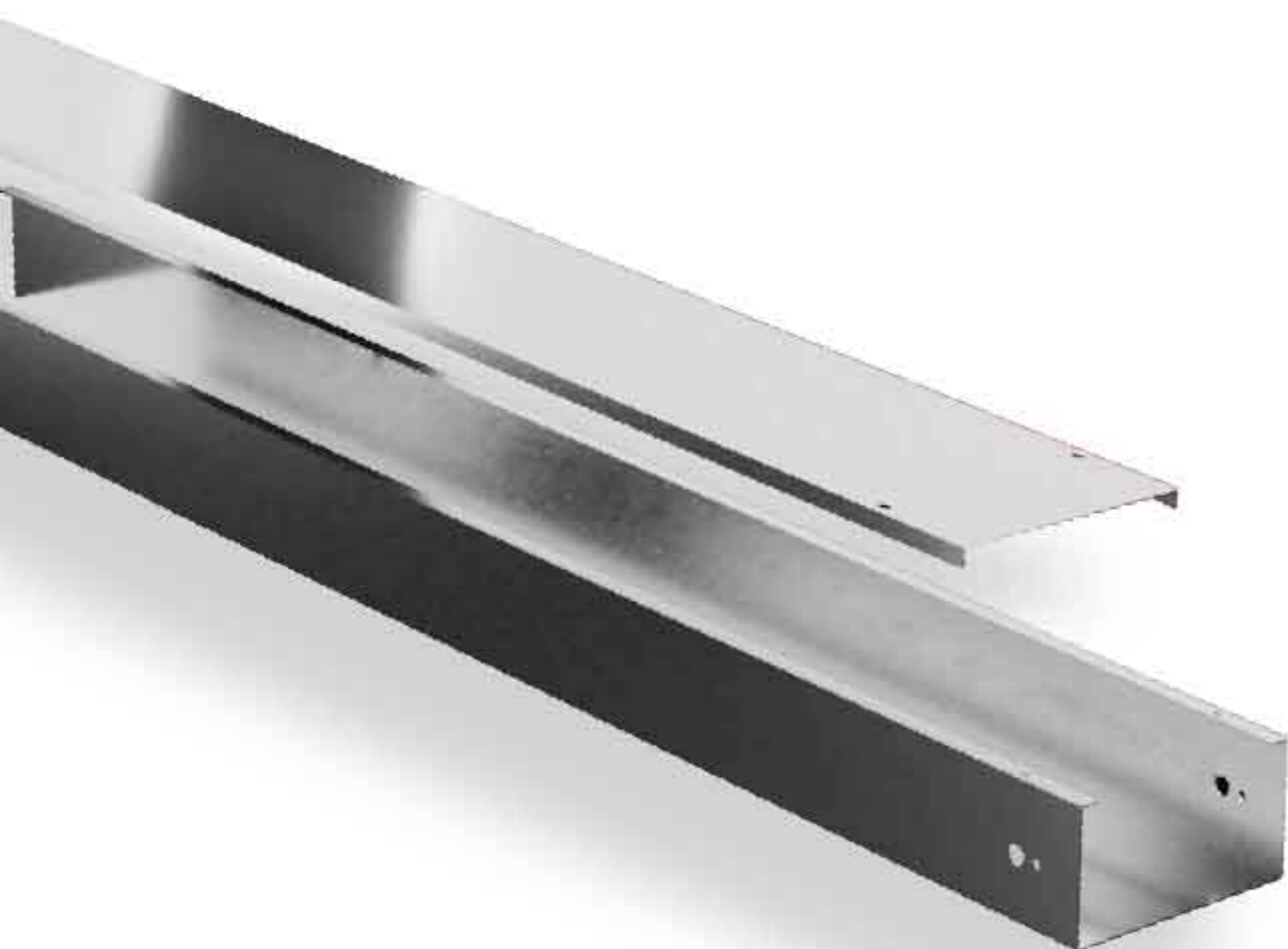
Thickness Finishing Color

Classification for Resistance Against Corrosion



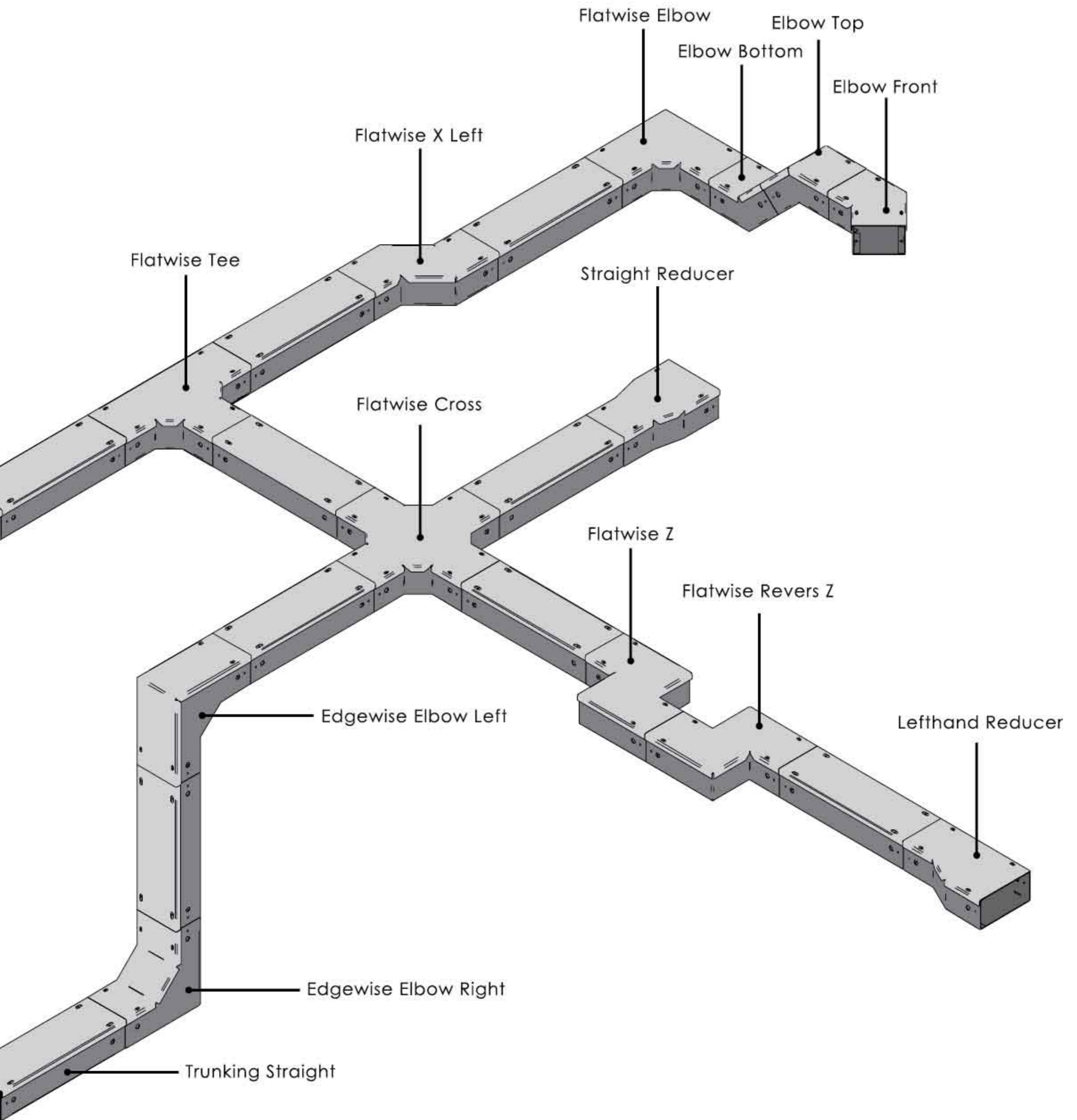
Type 1	Classification IEC 61537:2006	Material Coating	Atmospheric Corrosivity Categories According to EN ISO 12944-2		
			Category	Typical Indoor	Typical Outdoor
Mild Steel	None	Epoxy Powder Coated	C1	Dry air and minor impurities. (Offices, Shops, Schools, Hotels)	NA
Corrosion Resistance Electro Galvanized (EG)	Class 1	Electro Galvanized with Epoxy Powder Coated	C2	Humid air and minor impurities. (Offices, Shops, Schools, Hotels)	NA
Corrosion Resistance Hot Dip Galvanized (GI)	Class 2	Pre-Galvanized Zn-100% Coated Steel	C3	Unheated areas with varying temperature and humidity levels. (Sports Halls and Warehouse)	Environments with low levels of atmospheric pollution. (Rural areas)
Extreme High Corrosion Resistance Hot Dip Galvanized (SuperDyama or Equivalent)	Class 3	Pre-Galvanized Zn-86%, Al-11%, Mg-3% Coated Steel	C4	Area with high air humidity and high atmospheric pollution from production processes. (Chemical Plants, Swimming Pools)	Environments with moderate salinity or significant atmospheric high pollution. (Industries, Coastal Areas)
Supreme High Corrosion Resistance Hot Dip Galvanized (zexeed or Equivalent)	Class 4	Pre-Galvanized Zn-75%, Al-19%, Al-6% Coated Steel	C5	Area with almost constant condensation and high level of atmospheric pollution. (Chemical Plants, Industries, etc)	Industries areas with high air humidity and aggressive atmosphere. (Marine, Coastal Areas)
High Corrosion Resistance Hot Dip Galvanized (HDG)	Class 5	Post-Galvanized Zn-100% Coated Steel	C3	Area with moderate air humidity and some atmospheric pollution. (Breweries, Dairies, Laundries, etc)	Environments with low salinity or moderate atmospheric pollution. (Urban, Light Industries Coastal Areas)

** Typical environment corrosivity category can be applies to the corrosivity category above the specified threshold and not to those below. Example C4 can be apply C1 - C4 but not C5

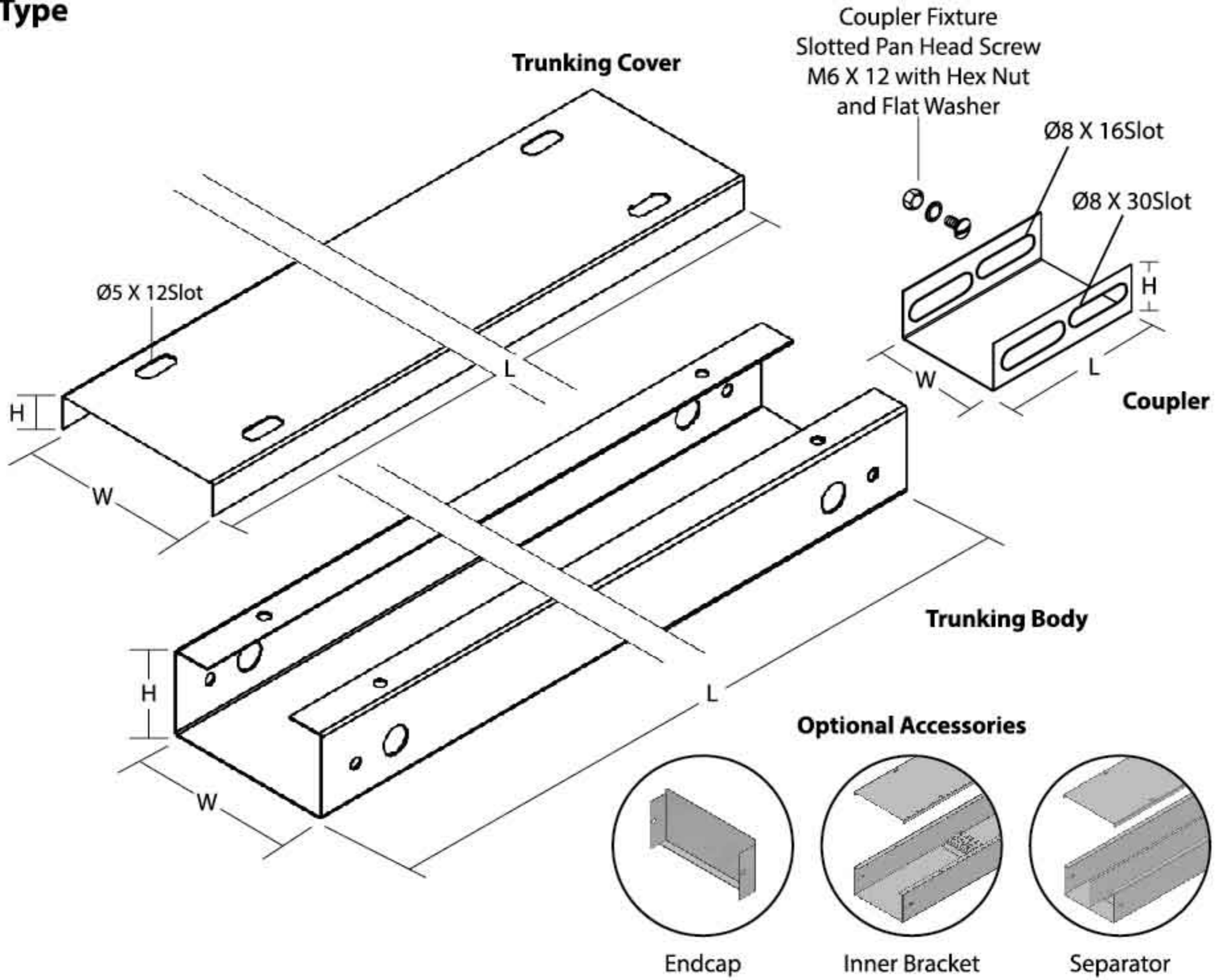


Cable Trunking System

Cable trunking is an enclosure usually with a rectangular cross section, and with one removable or hinged side, that is used to protect cables and provide space for other electrical equipment. They make electrical ducting and cable trunking for concealing and securing cabling. Cable trunking are manufactured according to MS IEC 61084-1 standard.



Screw Fix Type



Screw Fix Type

Model	Size (mm)		Thickness (mm)		Size (mm)	
	Cover (LxWxH)	Body (LxWxH)	Cover	Body	Coupler (LxWxH)	Thickness
STK 1/2	2438 / 3000 x 54 x 10	2438 / 3000 x 50 x 25	1.0	1.0	80 x 46 x 21	1.0
STK 2/2	2438 / 3000 x 54 x 10	2438 / 3000 x 50 x 50	1.0	1.0	80 x 46 x 40	1.0
STK 2/3	2438 / 3000 x 79 x 10	2438 / 3000 x 75 x 50	1.2	1.2	80 x 70 x 40	1.2
STK 2/4	2438 / 3000 x 104 x 10	2438 / 3000 x 100 x 50	1.2	1.2	80 x 96 x 40	1.2
STK 2/6	2438 / 3000 x 155 x 10	2438 / 3000 x 150 x 50	1.4	1.6	80 x 144 x 40	1.6
STK 2/8	2438 / 3000 x 205 x 10	2438 / 3000 x 200 x 50	1.4	1.6	80 x 194 x 40	1.6
STK 2/10	2438 / 3000 x 255 x 10	2438 / 3000 x 250 x 50	1.4	1.6	80 x 244 x 40	1.6
STK 2/12	2438 / 3000 x 305 x 10	2438 / 3000 x 300 x 50	1.4	1.6	80 x 294 x 40	1.6
STK 2/14	2438 / 3000 x 355 x 10	2438 / 3000 x 350 x 50	1.4	1.6	80 x 344 x 40	1.6
STK 3/3	2438 / 3000 x 79 x 10	2438 / 3000 x 75 x 75	1.2	1.2	80 x 72 x 65	1.2
STK 3/4	2438 / 3000 x 104 x 10	2438 / 3000 x 100 x 75	1.2	1.2	80 x 96 x 65	1.2
STK 3/6	2438 / 3000 x 155 x 10	2438 / 3000 x 150 x 75	1.4	1.6	80 x 144 x 65	1.6
STK 3/8	2438 / 3000 x 205 x 10	2438 / 3000 x 200 x 75	1.4	1.6	80 x 194 x 65	1.6
STK 3/10	2438 / 3000 x 255 x 10	2438 / 3000 x 250 x 75	1.4	1.6	80 x 244 x 65	1.6
STK 3/12	2438 / 3000 x 305 x 10	2438 / 3000 x 300 x 75	1.4	1.6	80 x 294 x 65	1.6
STK 4/4	2438 / 3000 x 104 x 10	2438 / 3000 x 100 x 100	1.2	1.2	80 x 90 x 90	1.6
STK 4/6	2438 / 3000 x 155 x 10	2438 / 3000 x 150 x 100	1.4	1.6	80 x 144 x 90	1.6
STK 4/8	2438 / 3000 x 205 x 10	2438 / 3000 x 200 x 100	1.4	1.6	80 x 194 x 90	1.6
STK 4/10	2438 / 3000 x 255 x 10	2438 / 3000 x 250 x 100	1.4	1.6	80 x 244 x 90	1.6
STK 4/12	2438 / 3000 x 305 x 10	2438 / 3000 x 300 x 100	1.4	1.6	80 x 294 x 90	1.6
STK 6/6	2438 / 3000 x 155 x 10	2438 / 3000 x 150 x 150	1.4	1.6	80 x 144 x 120	1.6
STK 6/8	2438 / 3000 x 205 x 10	2438 / 3000 x 200 x 150	1.4	1.6	80 x 194 x 120	1.6

**Specification subject to change without prior notice.

*For order information, please refer page 17

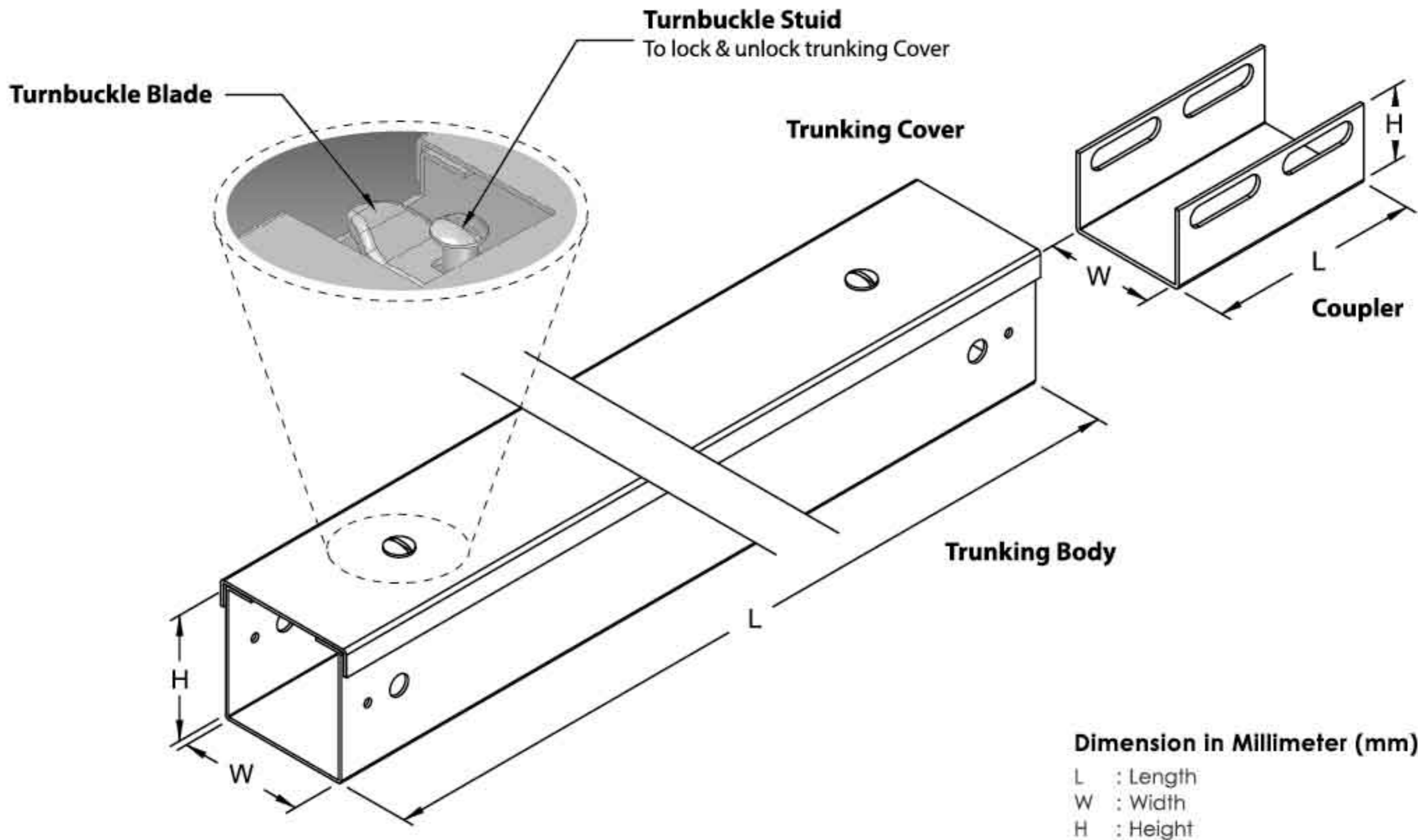
***Thickness Tolerance with + - 10%

Cable Trunking System

Cable Trunking Straight



Turnbuckle Type



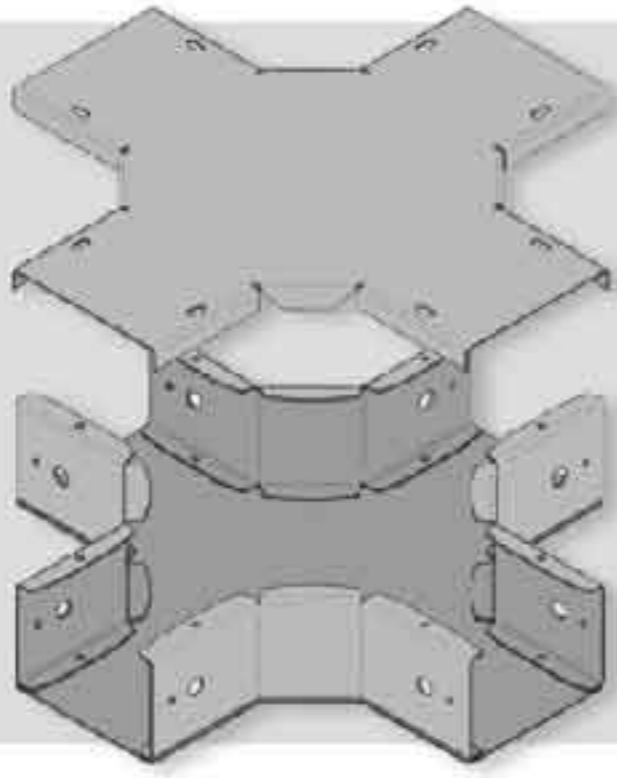
Turnbuckle Type

Model	Size (mm)		Thickness (mm)		Size (mm)	
	Cover (LxWxH)	Body (LxWxH)	Cover	Body	Coupler (LxWxH)	Thickness
STK 1/2-TB	2438 / 3000 x 54 x 10	2438 / 3000 x 50 x 25	1.0	1.0	80 x 46 x 21	1.0
STK 2/2-TB	2438 / 3000 x 54 x 10	2438 / 3000 x 50 x 50	1.0	1.0	80 x 46 x 40	1.0
STK 2/3-TB	2438 / 3000 x 79 x 10	2438 / 3000 x 75 x 50	1.2	1.2	80 x 72 x 40	1.2
STK 2/4-TB	2438 / 3000 x 104 x 10	2438 / 3000 x 100 x 50	1.2	1.2	80 x 96 x 40	1.2
STK 2/6-TB	2438 / 3000 x 155 x 10	2438 / 3000 x 150 x 50	1.4	1.6	80 x 144 x 40	1.6
STK 2/8-TB	2438 / 3000 x 205 x 10	2438 / 3000 x 200 x 50	1.4	1.6	80 x 194 x 40	1.6
STK 2/10-TB	2438 / 3000 x 255 x 10	2438 / 3000 x 250 x 50	1.4	1.6	80 x 244 x 40	1.6
STK 2/12-TB	2438 / 3000 x 305 x 10	2438 / 3000 x 300 x 50	1.4	1.6	80 x 294 x 40	1.6
STK 2/14-TB	2438 / 3000 x 355 x 10	2438 / 3000 x 350 x 50	1.4	1.6	80 x 344 x 40	1.6
STK 3/3-TB	2438 / 3000 x 79 x 10	2438 / 3000 x 75 x 75	1.2	1.2	80 x 72 x 65	1.2
STK 3/4-TB	2438 / 3000 x 104 x 10	2438 / 3000 x 100 x 75	1.2	1.2	80 x 96 x 65	1.2
STK 3/6-TB	2438 / 3000 x 155 x 10	2438 / 3000 x 150 x 75	1.4	1.6	80 x 144 x 65	1.6
STK 3/8-TB	2438 / 3000 x 205 x 10	2438 / 3000 x 200 x 75	1.4	1.6	80 x 194 x 65	1.6
STK 3/10-TB	2438 / 3000 x 255 x 10	2438 / 3000 x 250 x 75	1.4	1.6	80 x 244 x 65	1.6
STK 3/12-TB	2438 / 3000 x 305 x 10	2438 / 3000 x 300 x 75	1.4	1.6	80 x 294 x 90	1.6
STK 4/4-TB	2438 / 3000 x 104 x 10	2438 / 3000 x 100 x 100	1.2	1.2	80 x 96 x 90	1.6
STK 4/6-TB	2438 / 3000 x 155 x 10	2438 / 3000 x 150 x 100	1.4	1.6	80 x 144 x 90	1.6
STK 4/8-TB	2438 / 3000 x 205 x 10	2438 / 3000 x 200 x 100	1.4	1.6	80 x 194 x 90	1.6
STK 4/10-TB	2438 / 3000 x 255 x 10	2438 / 3000 x 250 x 100	1.4	1.6	80 x 244 x 90	1.6
STK 4/12-TB	2438 / 3000 x 305 x 10	2438 / 3000 x 300 x 100	1.4	1.6	80 x 294 x 90	1.6
STK 6/6-TB	2438 / 3000 x 155 x 10	2438 / 3000 x 150 x 150	1.4	1.6	80 x 144 x 120	1.6
STK 6/8-TB	2438 / 3000 x 205 x 10	2438 / 3000 x 200 x 150	1.4	1.6	80 x 194 x 120	1.6

**Specification subject to change without prior notice.

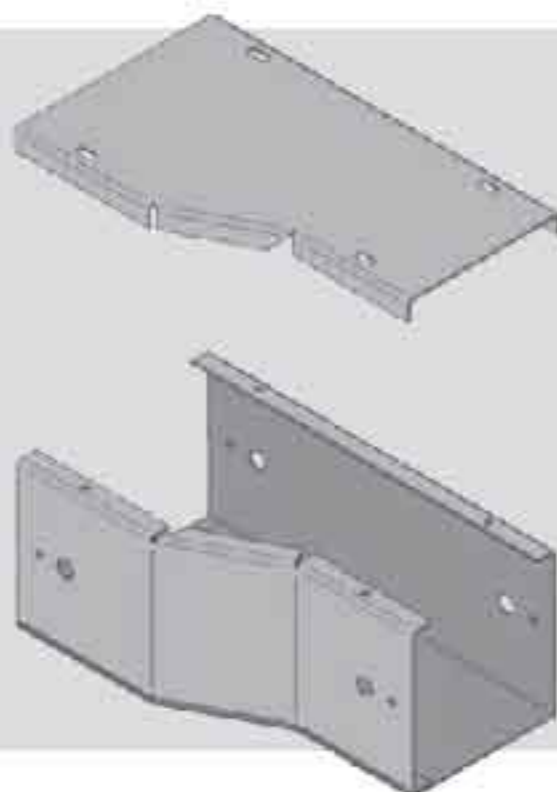
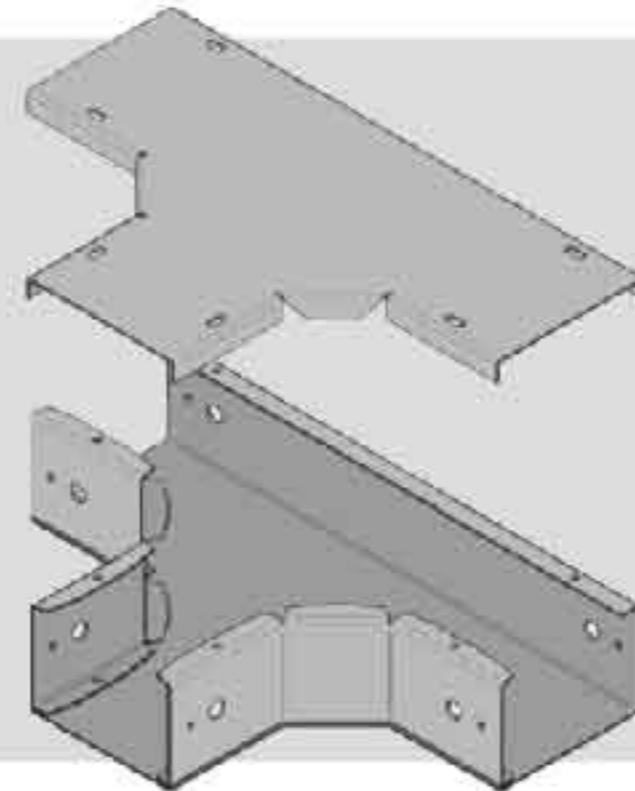
*For order information, please refer page 17.

***Thickness Tolerance with + - 10%



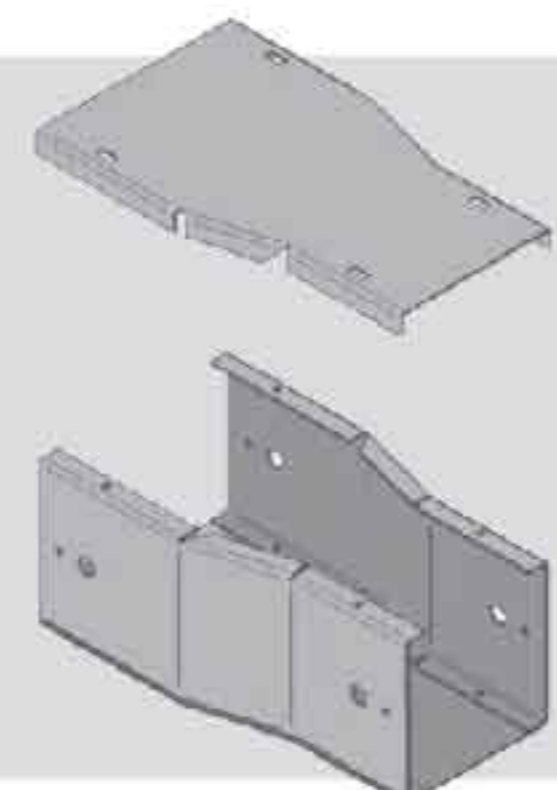
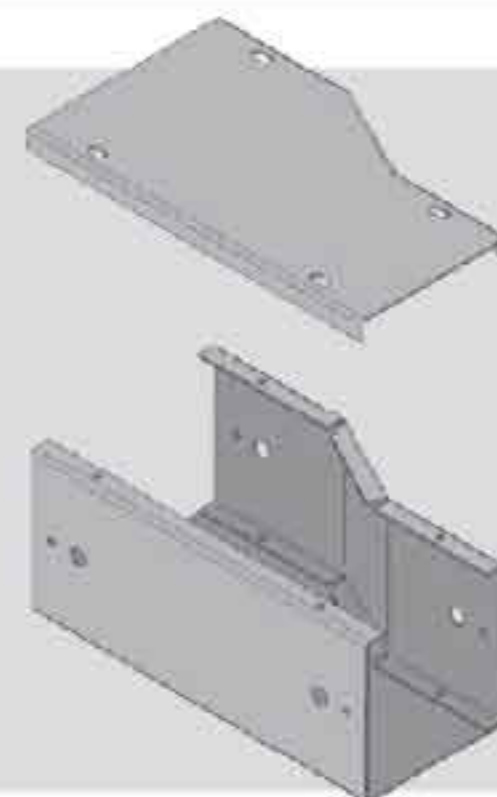
◀ **Flatwise Cross**
STK AC-1

Flatwise Tee ▶
STK AC-2



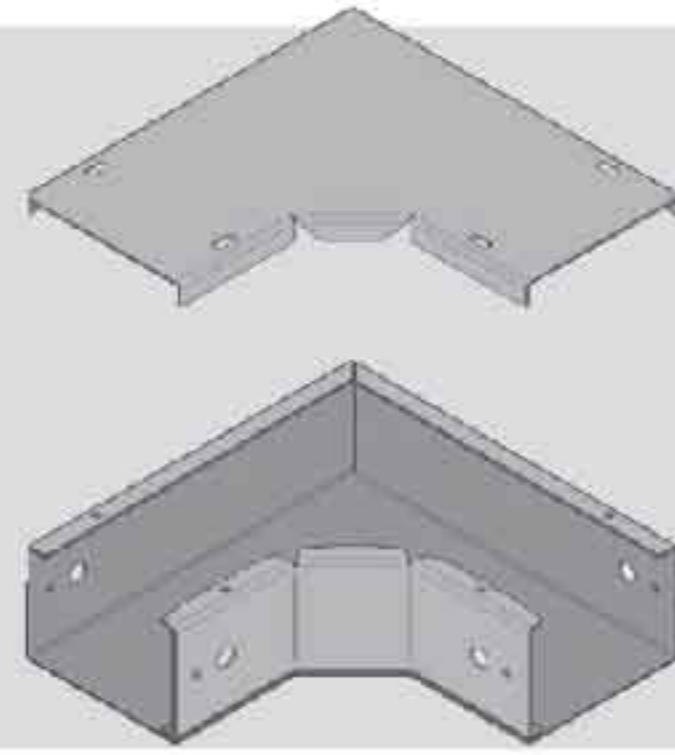
◀ **Righthand Reducer**
STK AC-3

Lefthand Reducer ▶
STK AC-4

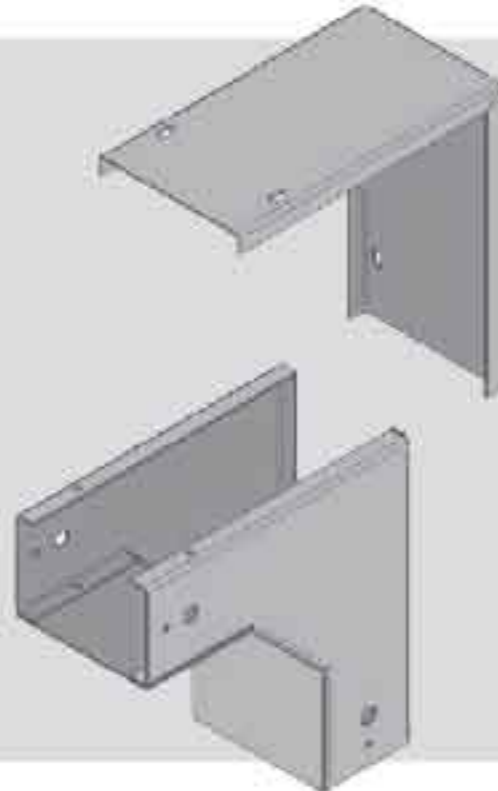


◀ **Straight Reducer**
STK AC-5

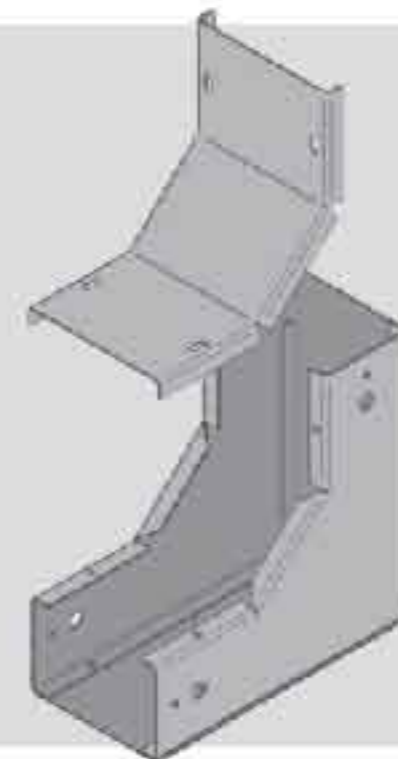
Flatwise Elbow ▶
STK AC-6



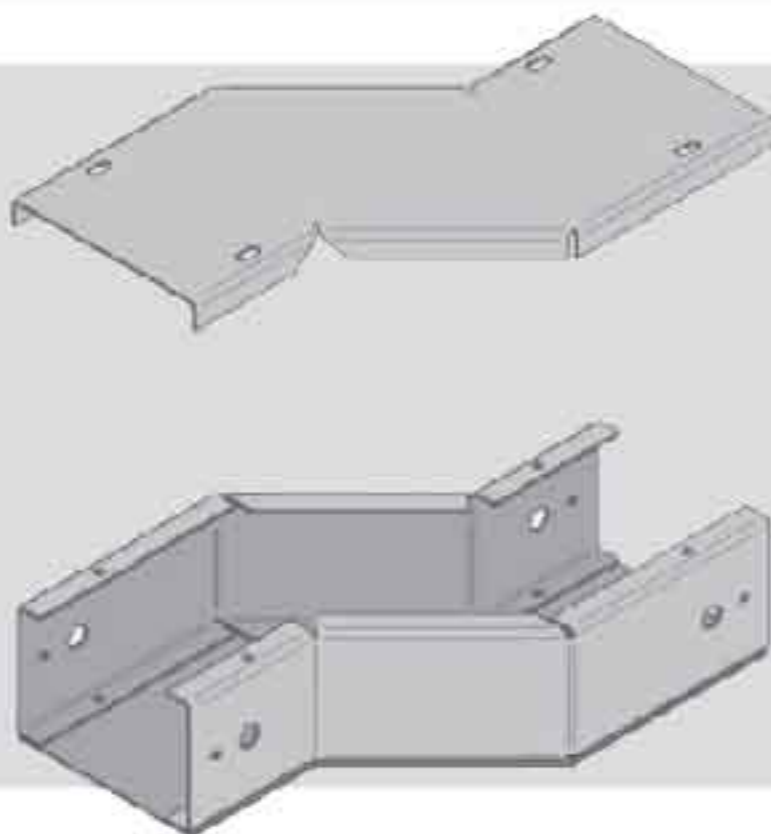
◀ Edgewise Elbow Left
STK AC-7



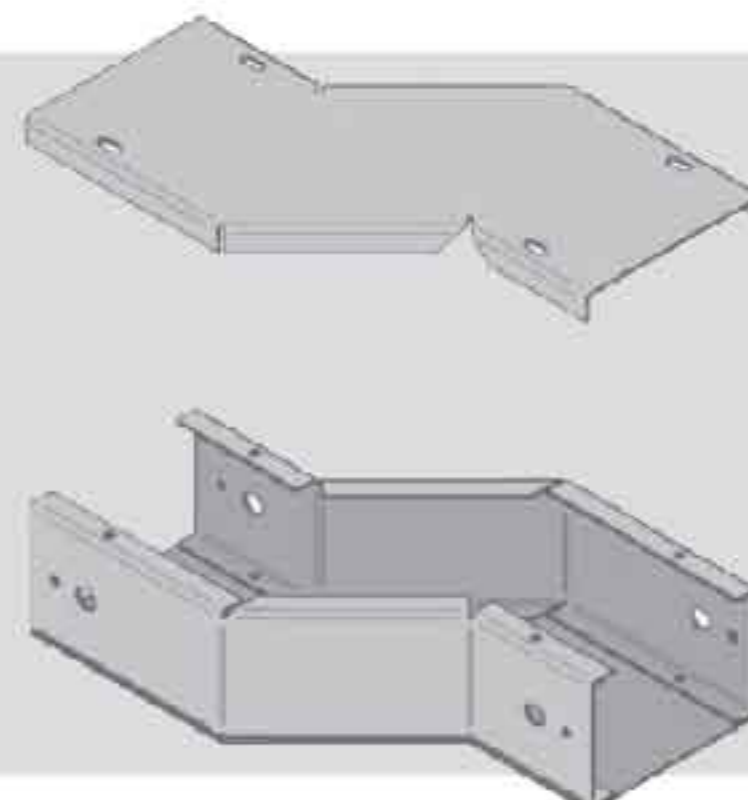
Edgewise Elbow Right ▶
STK AC-8

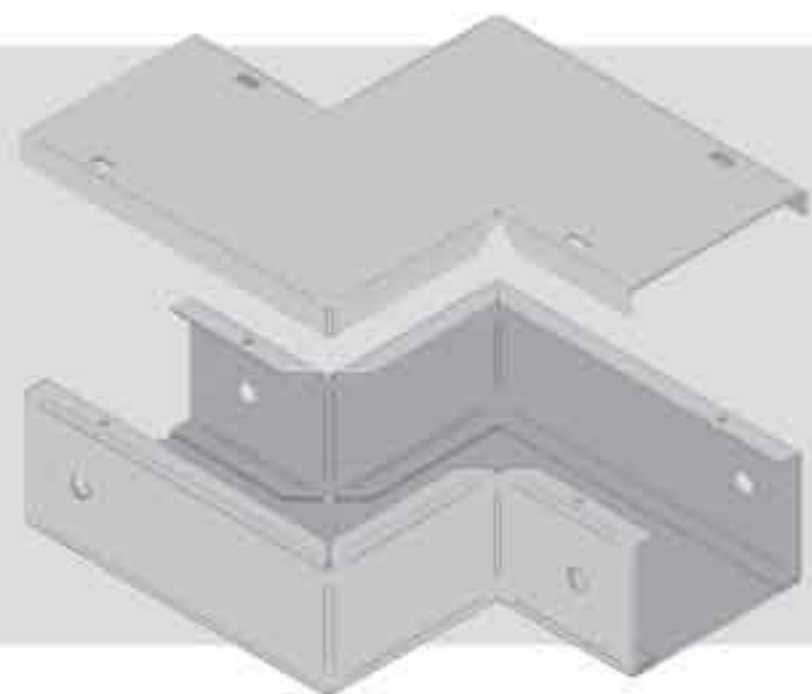


◀ Flatwise X Left STK AC-9



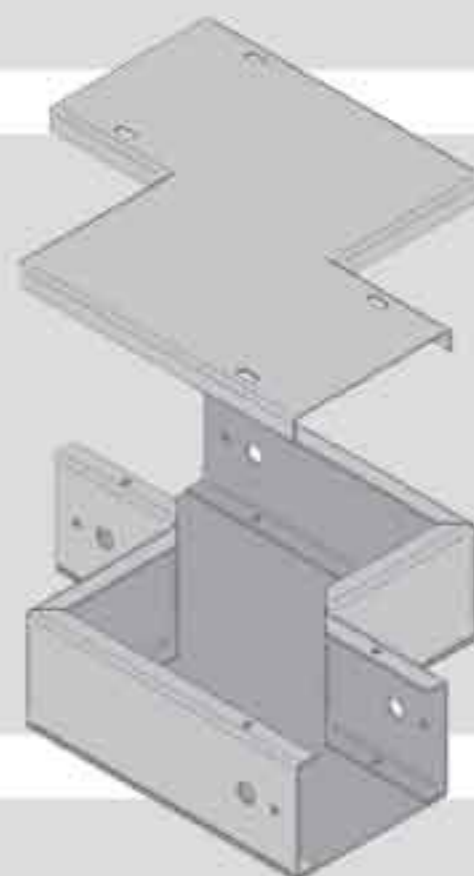
Flatwise X Right STK AC-10 ▶





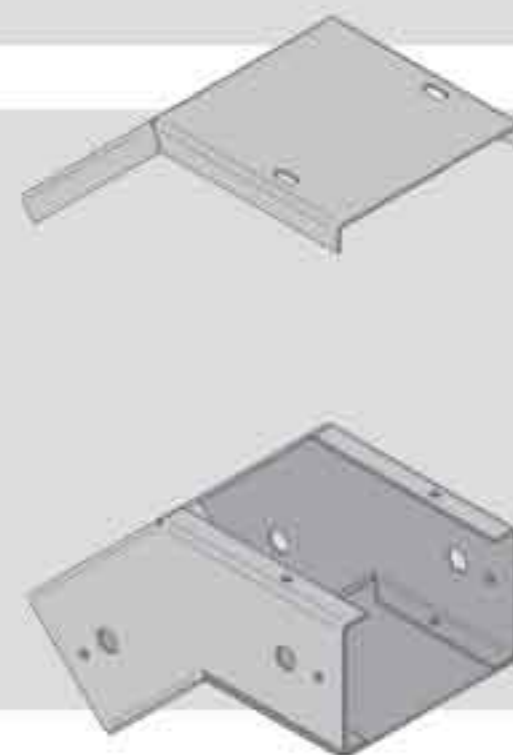
◀ **Flatwise Z Reverse** STK AC-11

Flatwise Z STK AC-12 ▶



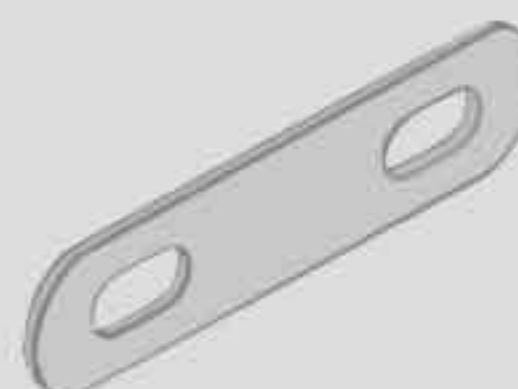
◀ **Elbow Bottom** STK AC-13

Elbow Top STK AC-14 ▶

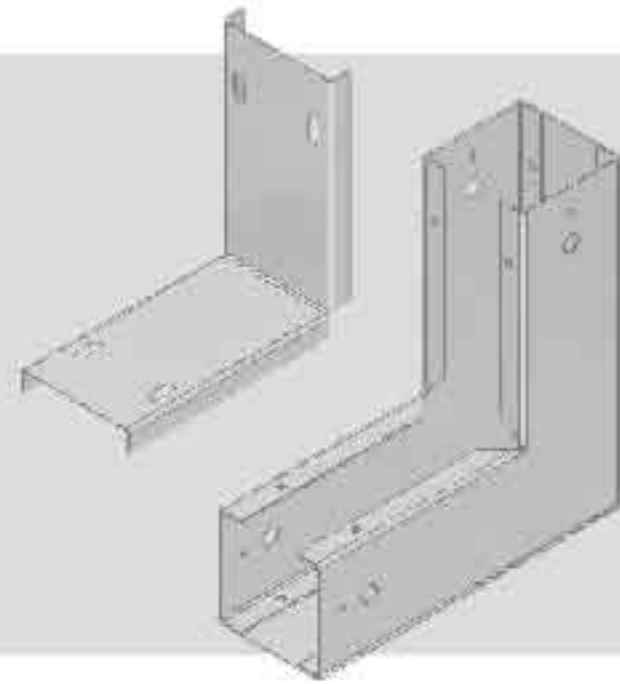
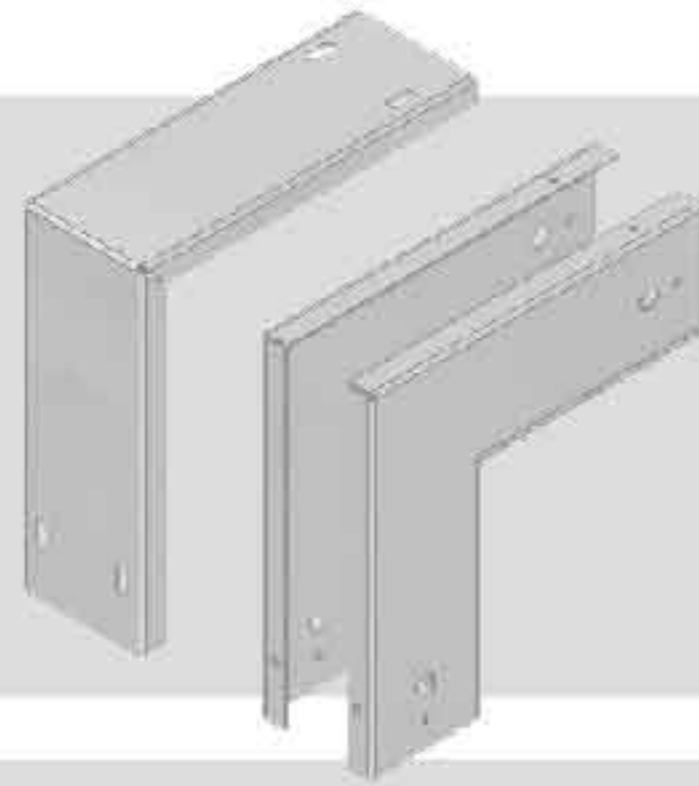


◀ **Elbow Front** STK AC-15

Earth Link STK AC-16 ▶

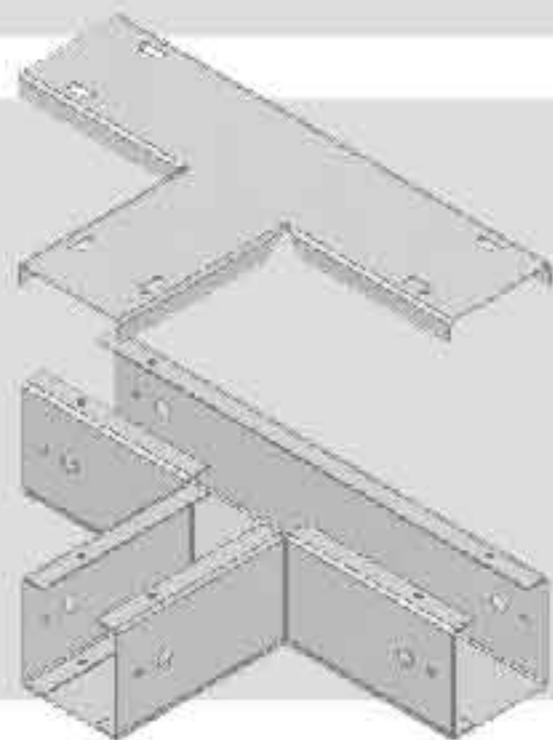
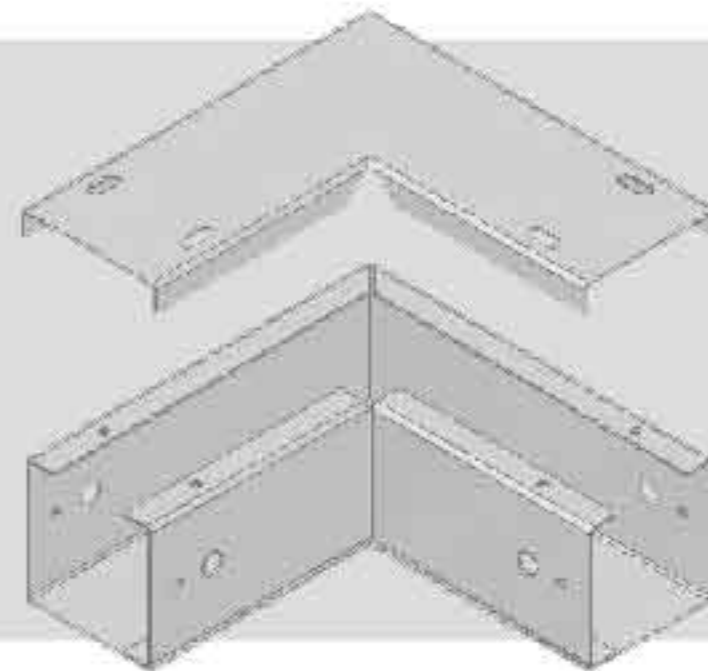


Corner Outside Riser STK AC-17 ▶



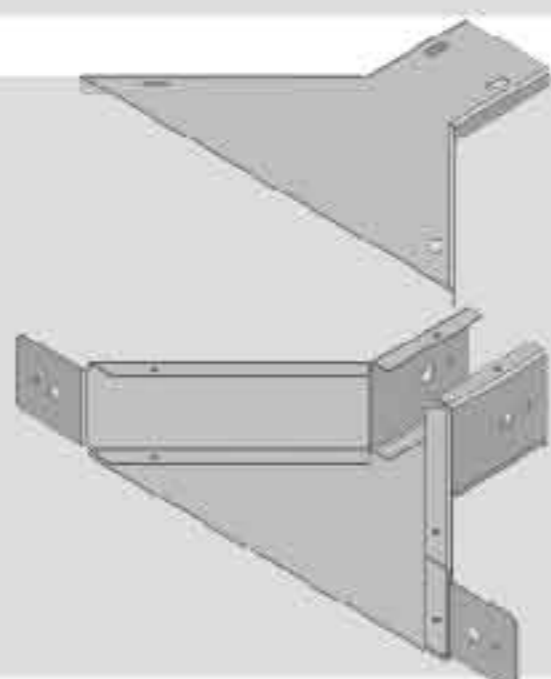
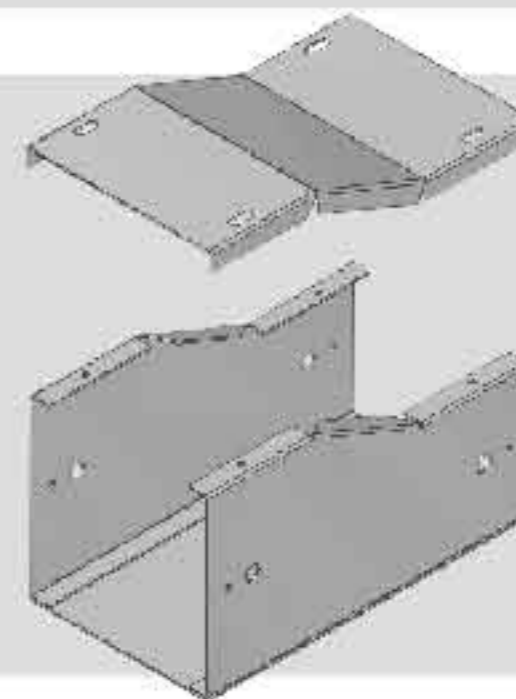
◀ Corner Inside Riser STK AC-18

Corner Elbow STK AC-19 ▶

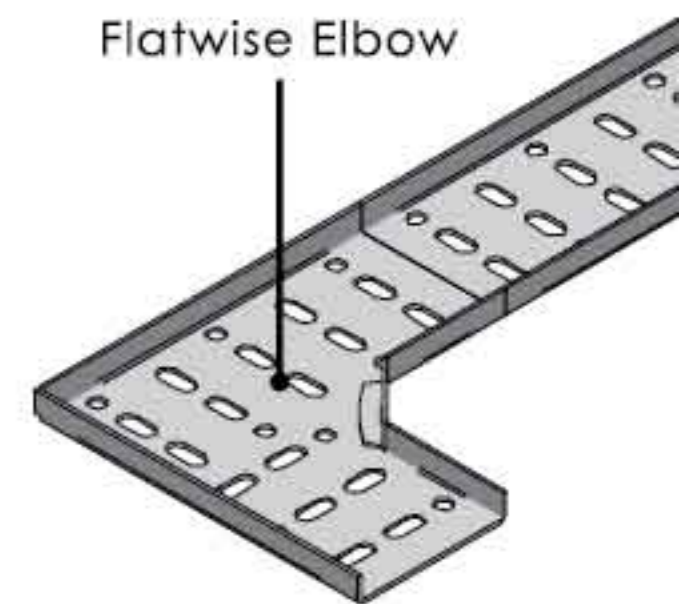
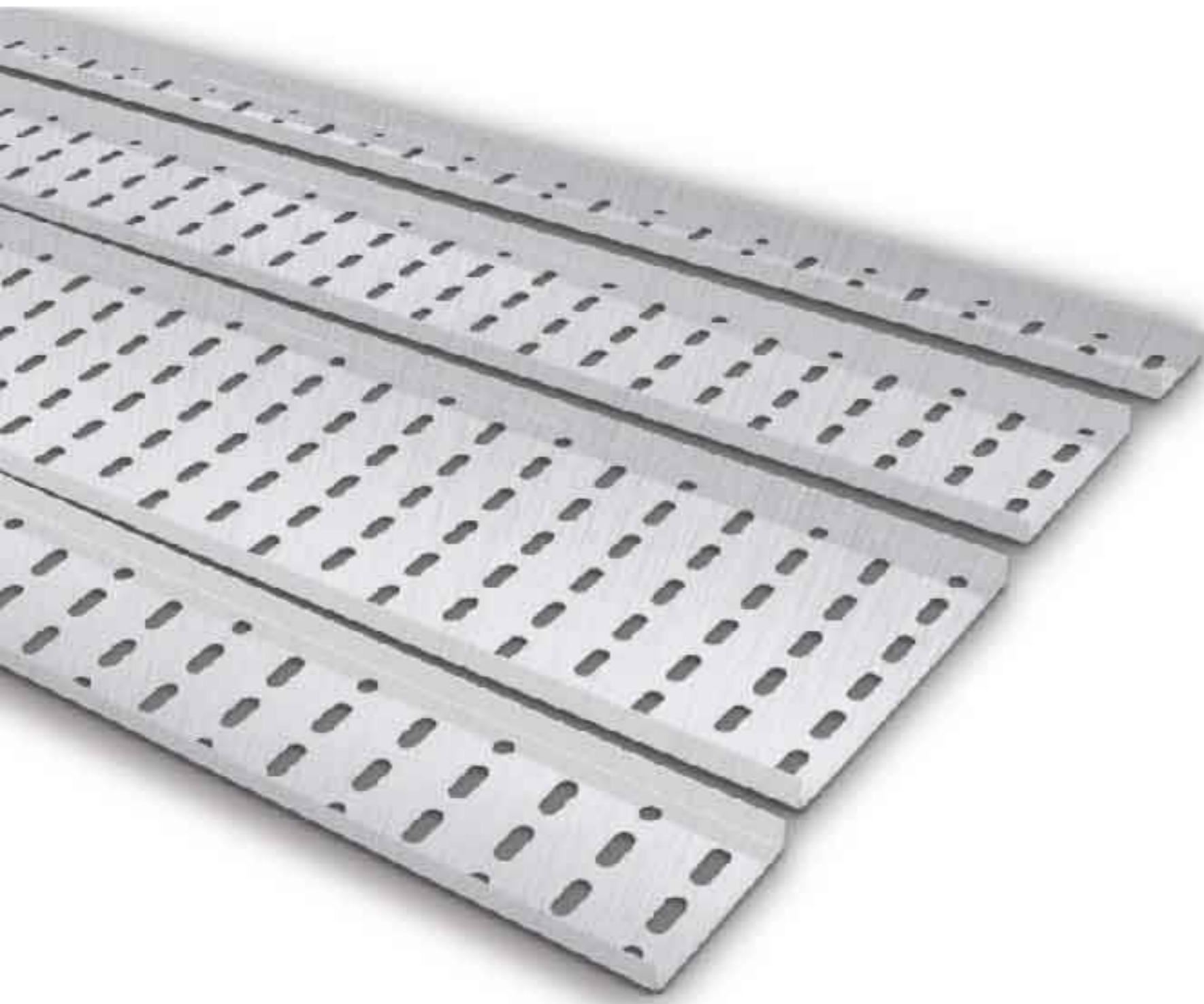


◀ Corner Tee STK AC-20

Reducer Height STK AC-21 ▶



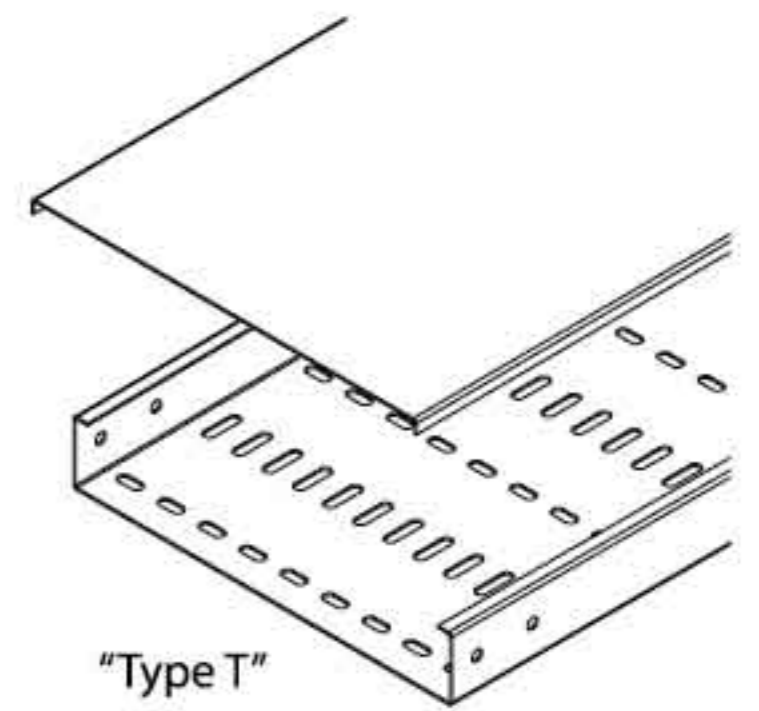
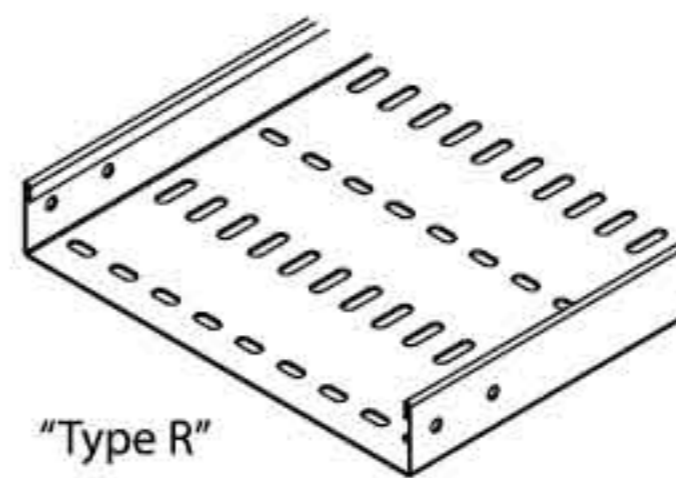
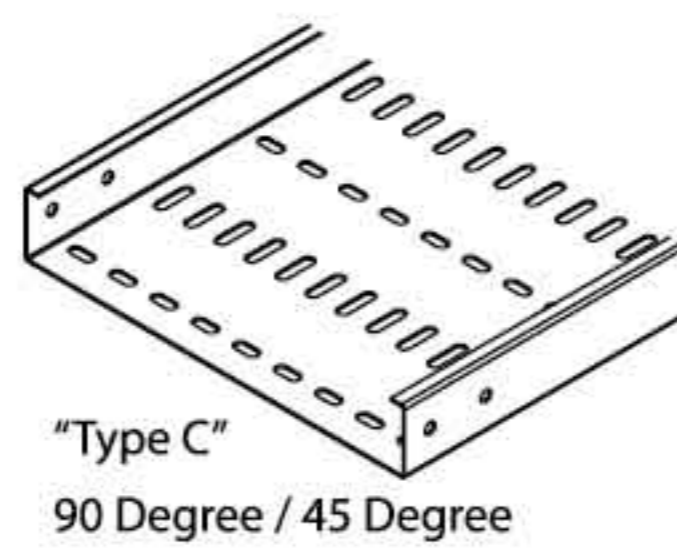
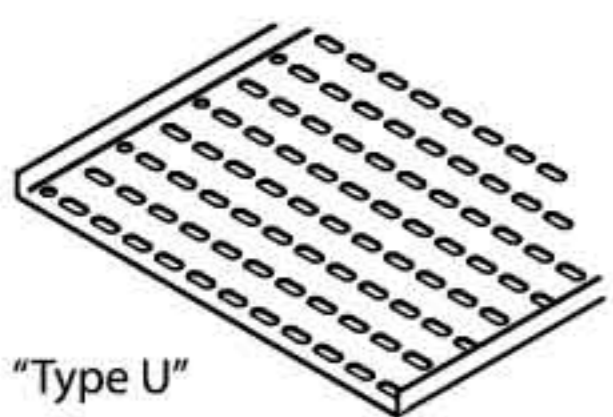
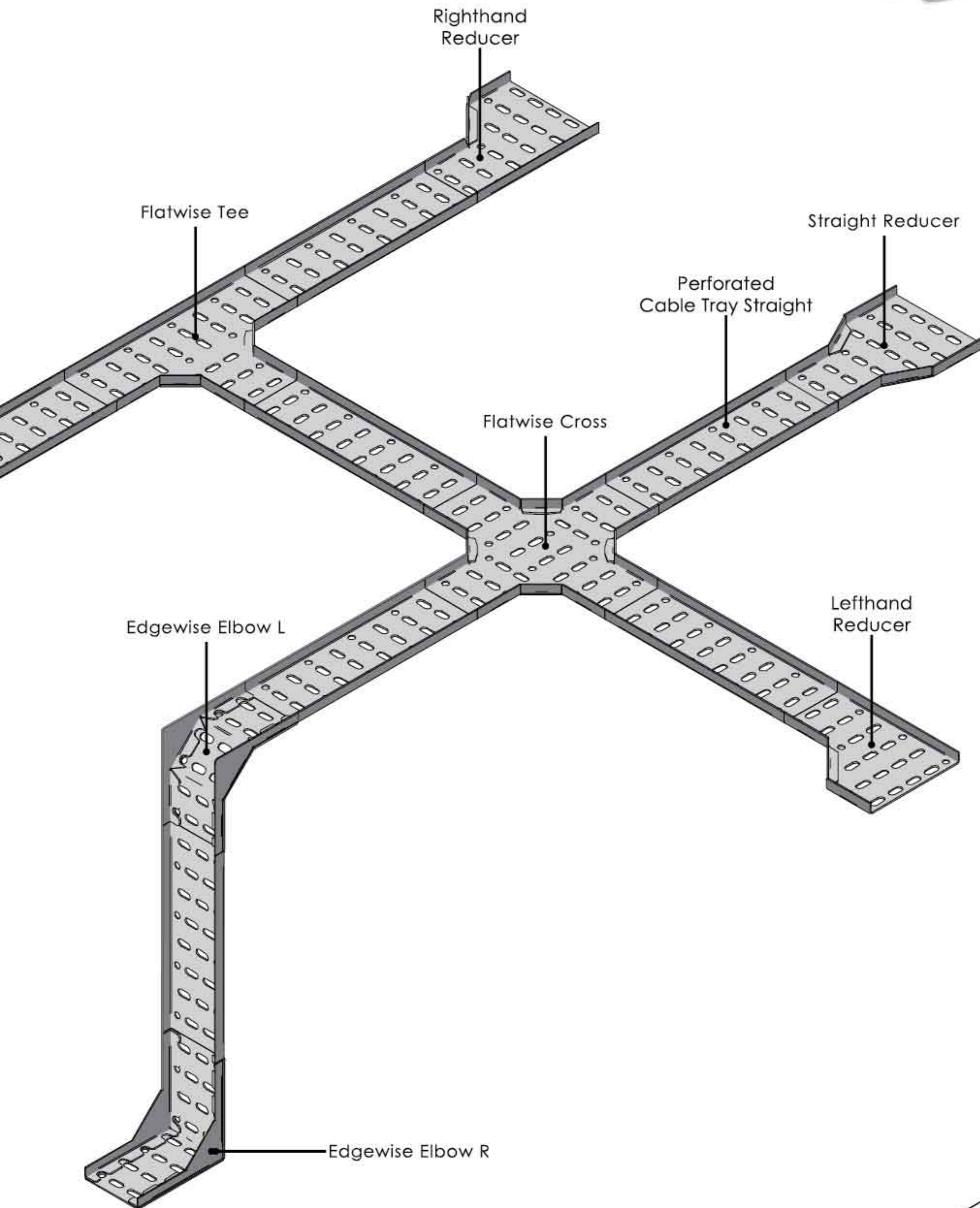
◀ Flange Outlet STK AC-22

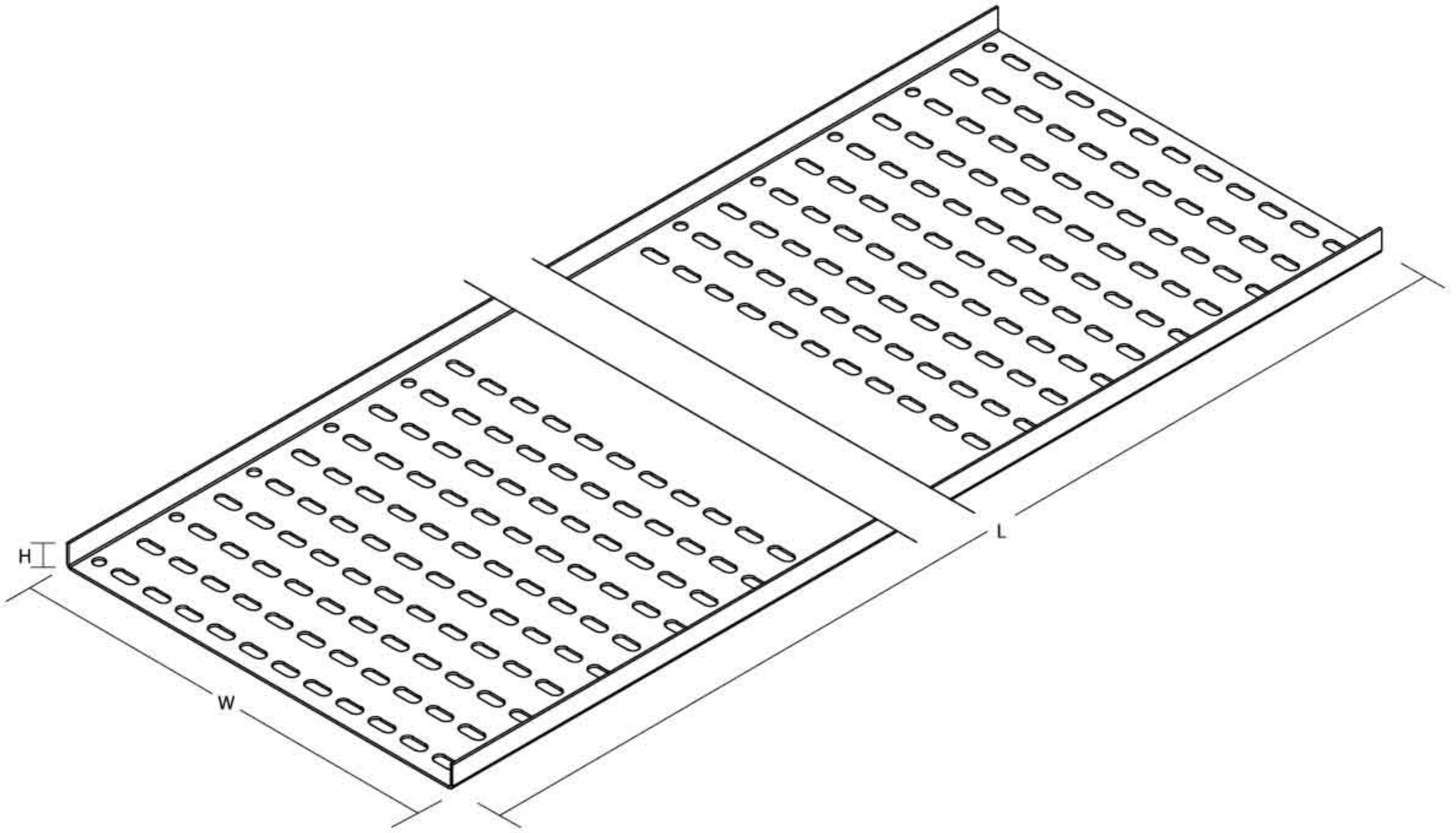


Perforated Cable Tray System

Cable tray is a unit or assembly of units or sections and associated fittings forming a rigid structural system used to securely fasten or support cables and raceways. Cable tray system is used to support insulated electrical cables used for power distribution, control, and communication. Cable trays are used as an alternative to open wiring or electrical conduit systems, and are commonly used for cable management in commercial and industrial construction. They are especially useful in situations where changes to a wiring system are anticipated, since new cables can be installed by laying them in the tray, instead of pulling them through a pipe. Cable tray are manufactured according to MS IEC 61537 standard.

Perforated Cable Tray Profile





Dimension in Millimeter (mm)

L : Length
W : Width
H : Height

Perforated Cable Tray Straight "Type U"

Model	Nominal Size (mm)		
	Body (LxWxH)	Joint Plate (WxL)	Thickness
SCT/U-(50x13)	2438 / 3000 x 50 x 13	43 x 150	1.5
SCT/U-(75x13)	2438 / 3000 x 75 x 13	68 x 150	1.5
SCT/U-(100x13)	2438 / 3000 x 100 x 13	93 x 150	1.5
SCT/U-(125x13)	2438 / 3000 x 125 x 13	118 x 150	1.5
SCT/U-(150x13)	2438 / 3000 x 150 x 13	143 x 150	1.5
SCT/U-(200x17)	2438 / 3000 x 200 x 17	193 x 150	1.5
SCT/U-(250x17)	2438 / 3000 x 250 x 17	243 x 150	1.5
SCT/U-(300x17)	2438 / 3000 x 300 x 17	293 x 150	1.5
SCT/U-(350x20)	2438 / 3000 x 350 x 20	342 x 150	2.0
SCT/U-(400x20)	2438 / 3000 x 400 x 20	392 x 150	2.0
SCT/U-(450x20)	2438 / 3000 x 450 x 20	442 x 150	2.0

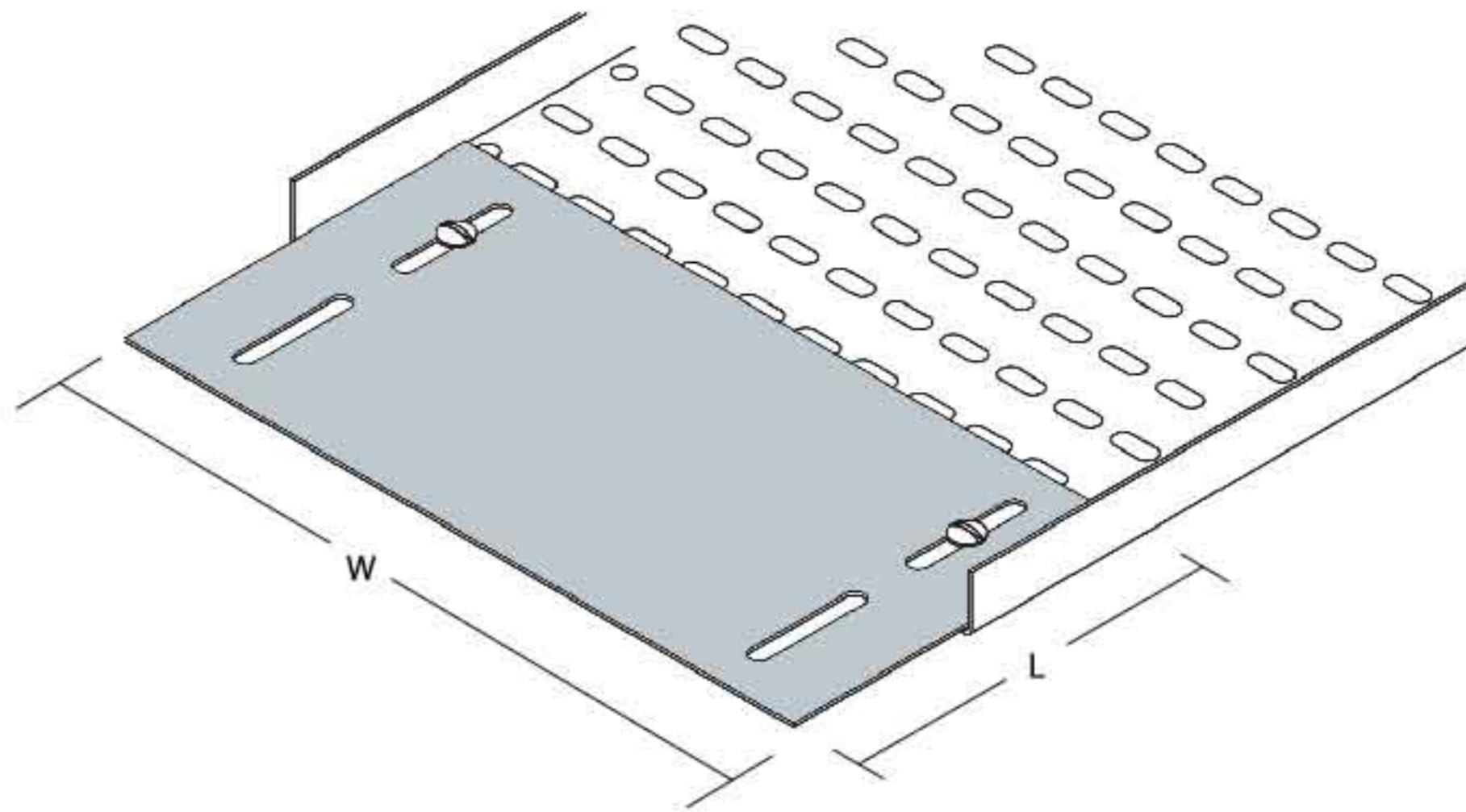
**Specification subject to change without prior notice.

***Thickness Tolerance with + - 10%

*For order information, please refer page 17.

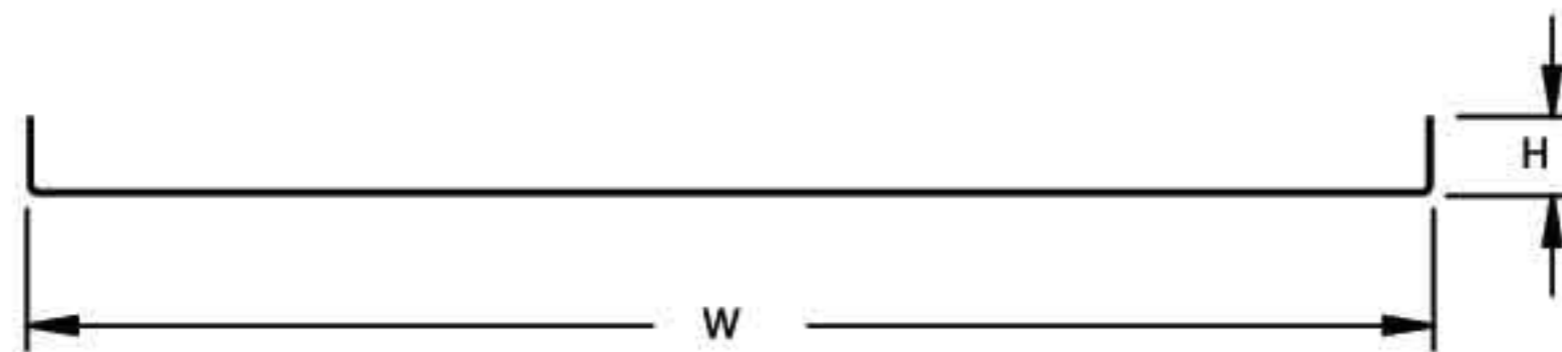
Perforated Cable Tray System

Perforated Cable Tray Straight "Type U"



Joint Plate

*Separate purchase if need for tray joint plate



Dimension in Millimeter (mm)

L : Length
W : Width
H : Height

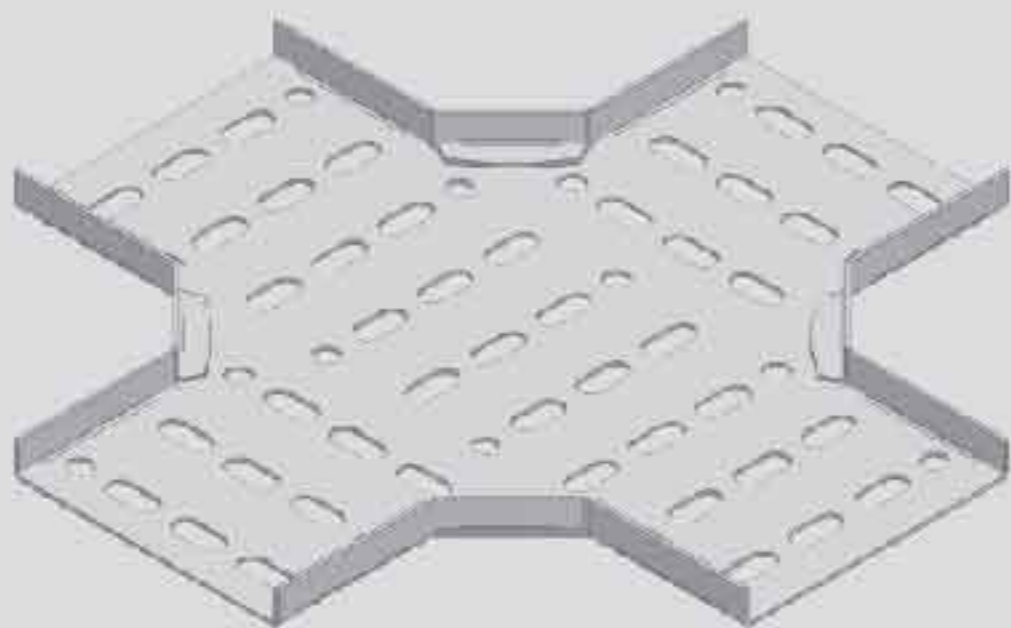
Perforated Cable Tray Straight "Type U"

Model	Nominal Size (mm)		
	Body (LxWxH)	Joint Plate (WxL)	Thickness
SCT/U-(500x25)	2438 / 3000 x 500 x 25	492 x 150	2.0
SCT/U-(550x25)	2438 / 3000 x 550 x 25	542 x 150	2.0
SCT/U-(600x25)	2438 / 3000 x 600 x 25	592 x 150	2.0
SCT/U-(650x25)	2438 / 3000 x 650 x 25	642 x 150	2.0
SCT/U-(700x25)	2438 / 3000 x 700 x 25	692 x 150	2.0
SCT/U-(750x25)	2438 / 3000 x 750 x 25	742 x 150	2.0
SCT/U-(800x25)	2438 / 3000 x 800 x 25	792 x 150	2.0
SCT/U-(850x25)	2438 / 3000 x 850 x 25	842 x 150	2.0
SCT/U-(900x25)	2438 / 3000 x 900 x 25	892 x 150	2.0
SCT/U-(950x25)	2438 / 3000 x 950 x 25	942 x 150	2.0
SCT/U-(1000x25)	2438 / 3000 x 1000 x 25	992 x 150	2.0

**Specification subject to change without prior notice.

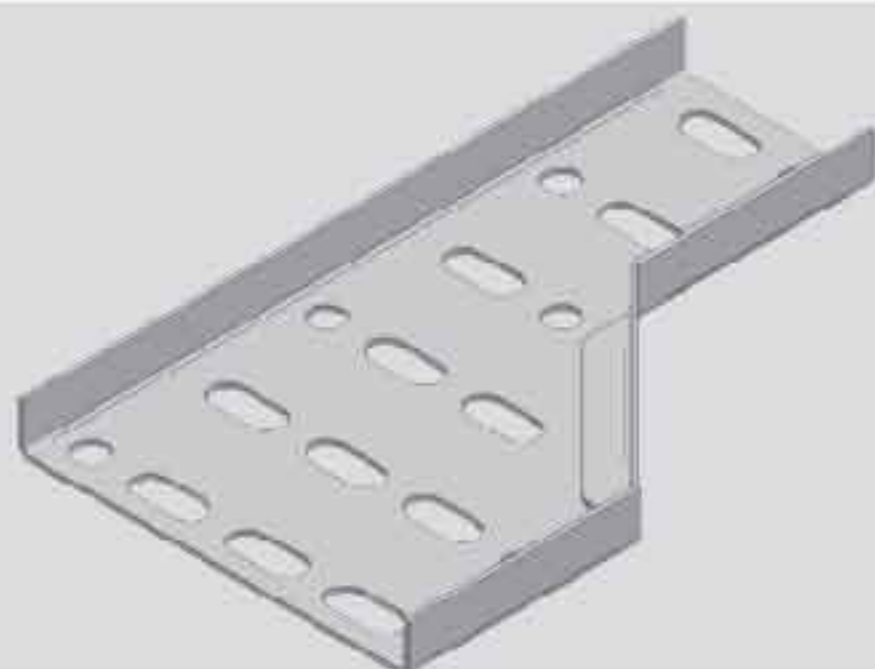
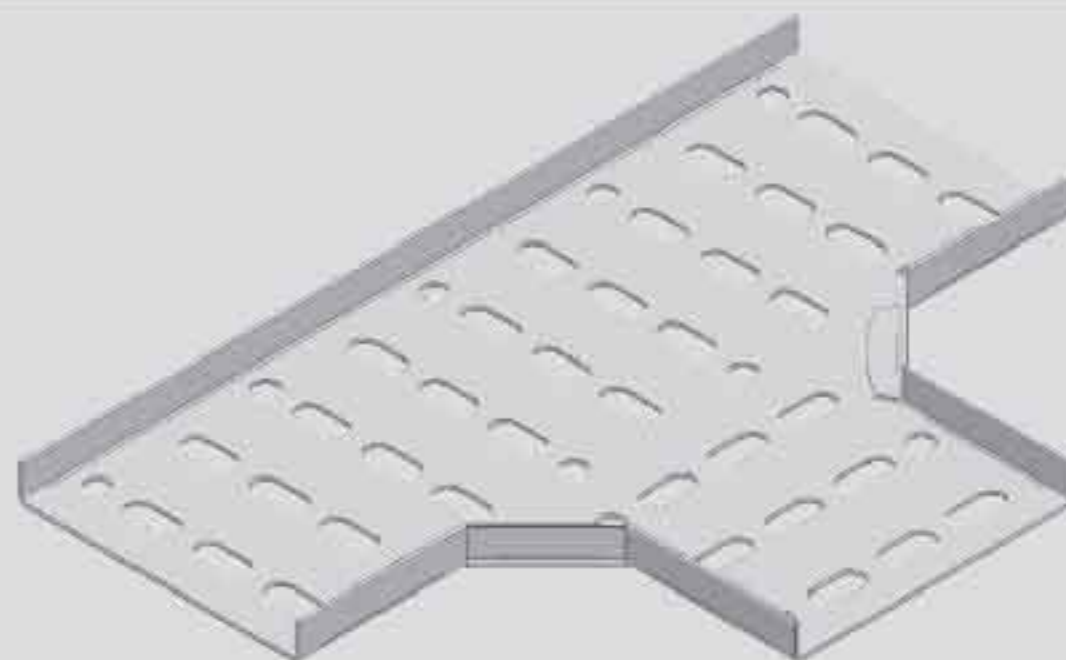
*For order information, please refer page 17.

***Thickness Tolerance with + - 10%



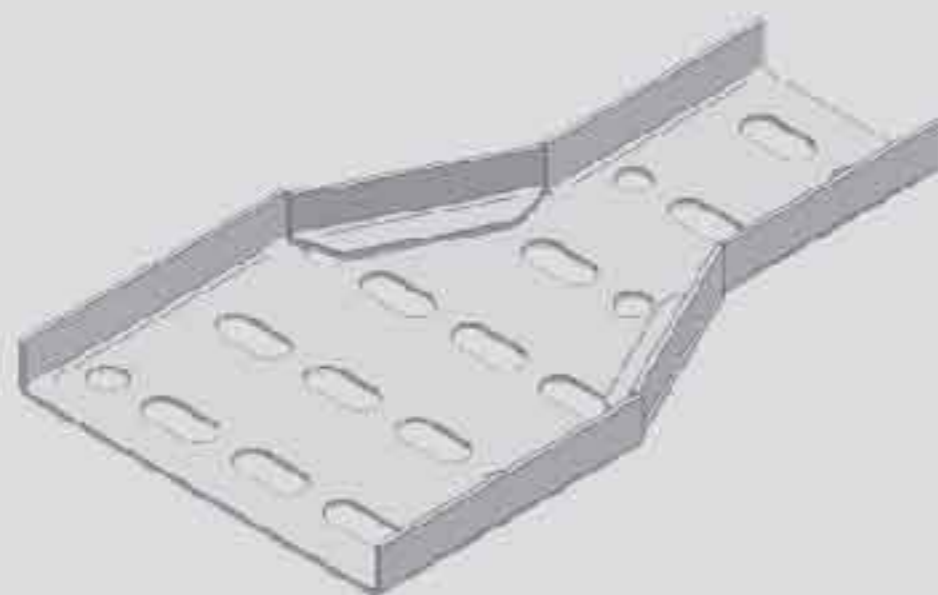
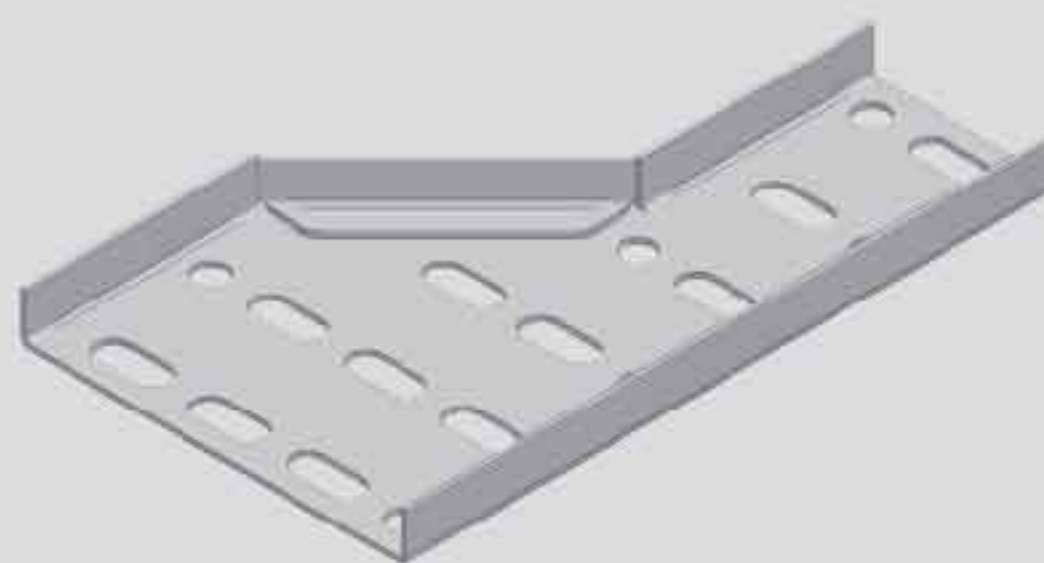
◀ **Flatwise Cross**
SCT/U AC-1

Flatwise Tee ▶
SCT/U AC-2



◀ **Righthand Reducer**
SCT/U AC-3

Lefthand Reducer ▶
SCT/U AC-4

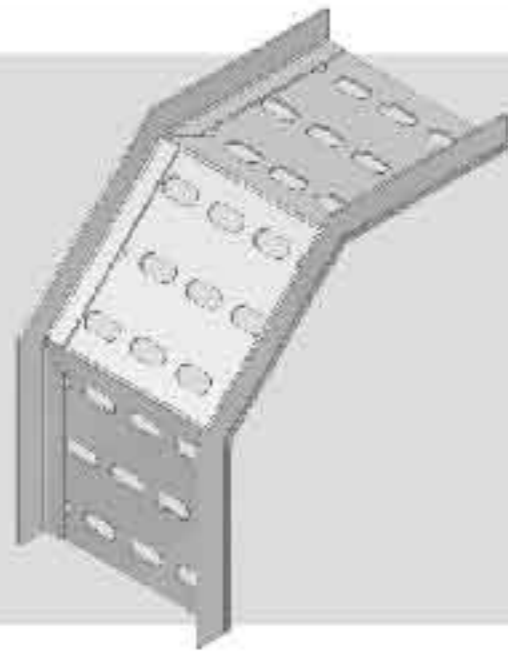


◀ **Straight Reducer**
SCT/U AC-5

**Other design and sizes are available upon request.

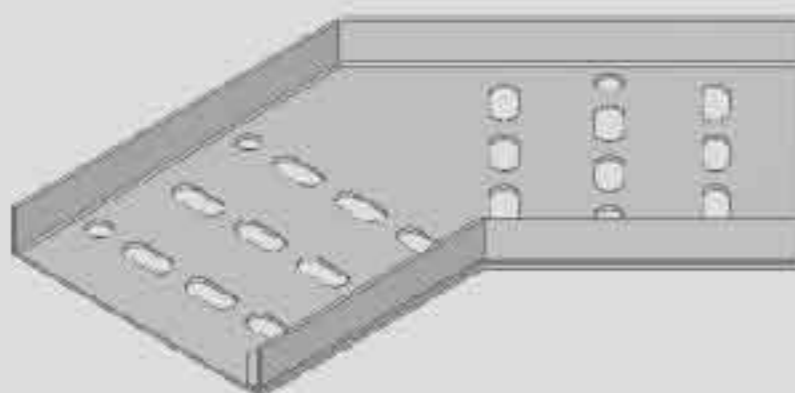
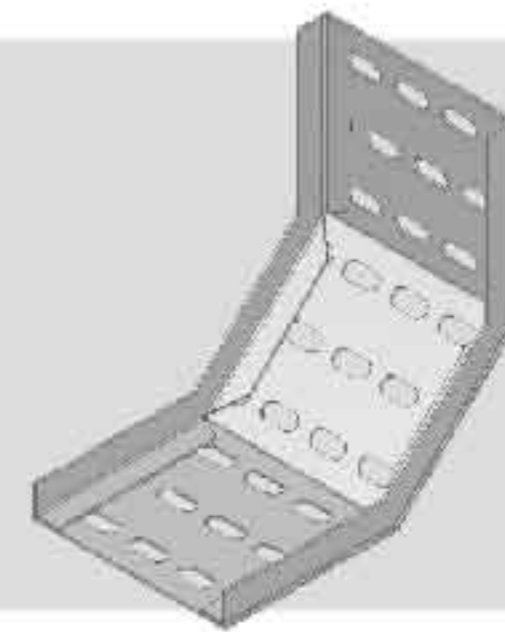
Type U 

Flatwise Elbow ▶
SCT/U AC-6



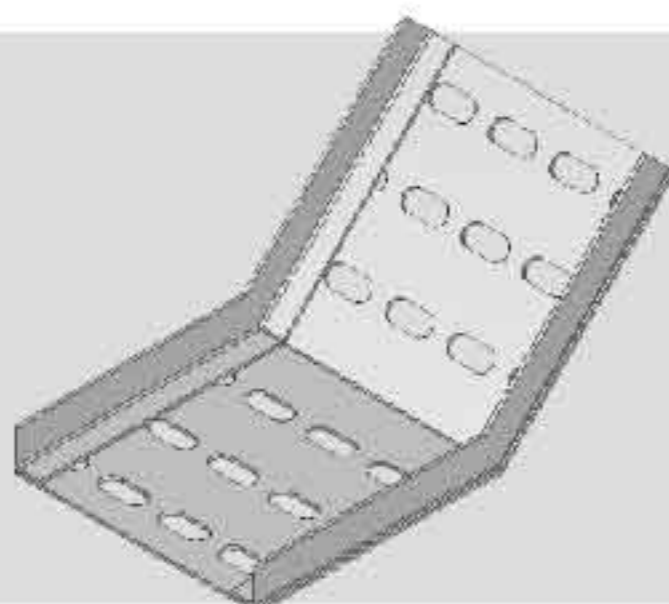
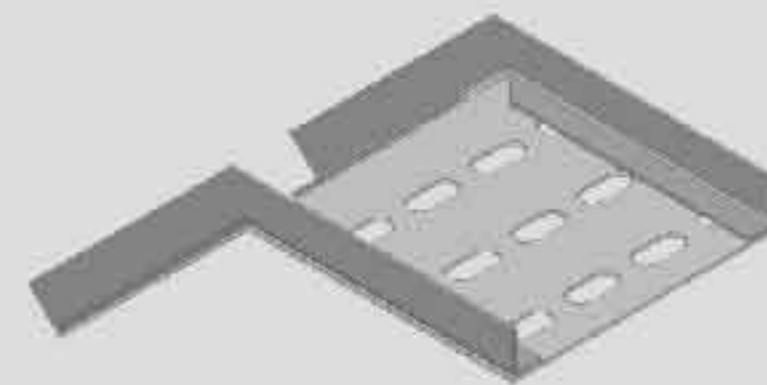
◀ Edgewise Elbow Left
SCT/U AC-7

Edgewise Elbow ▶
Right SCT/U AC-8



◀ Elbow Front
SCT/U AC-9

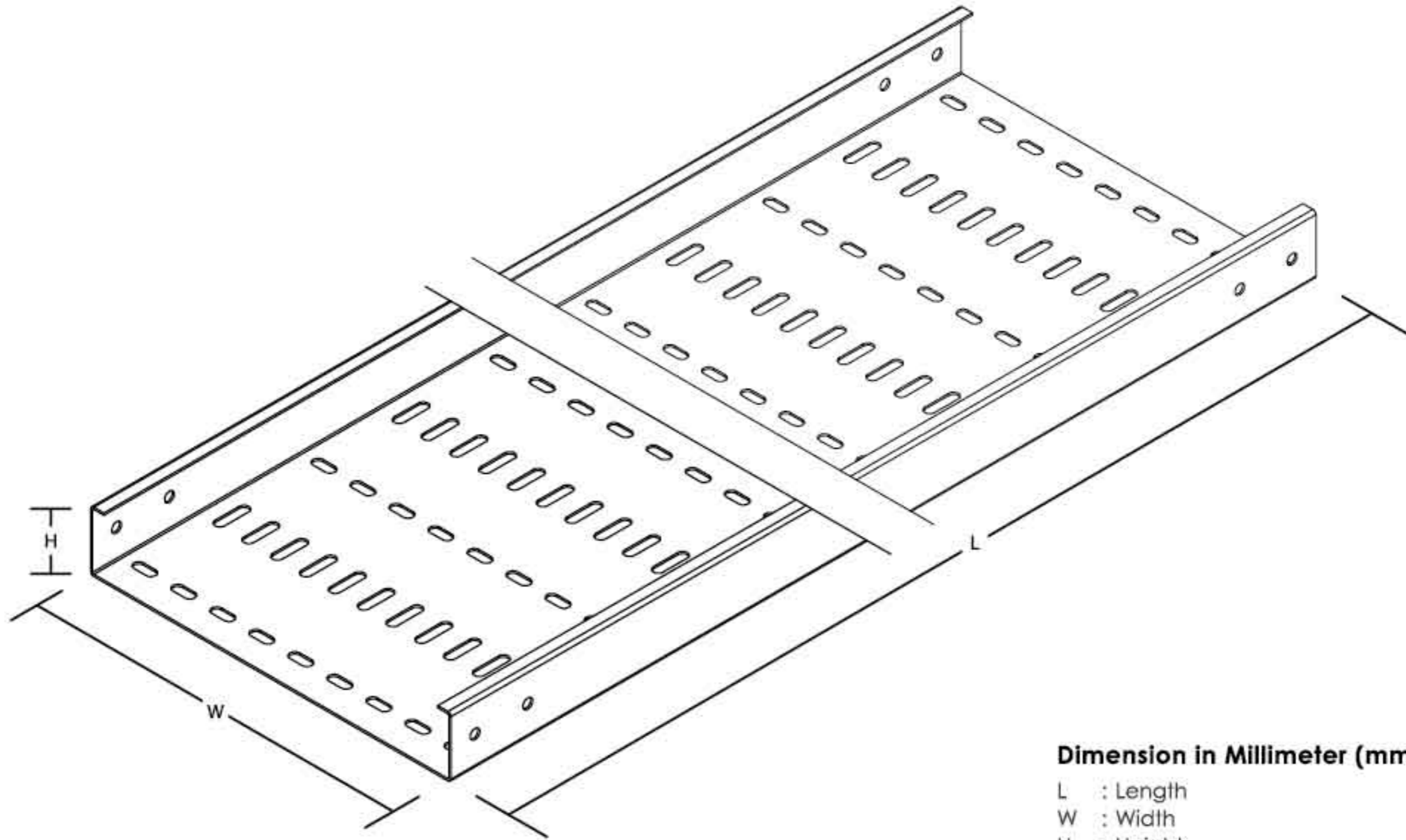
Elbow Top ▶
SCT/U AC-10



◀ Elbow Bottom
SCT/U AC-11

**Other design and sizes are available upon request.

Type U



Dimension in Millimeter (mm)

L : Length
W : Width
H : Height

Perforated Cable Tray Straight "Type C" - 90 Degree (90D)

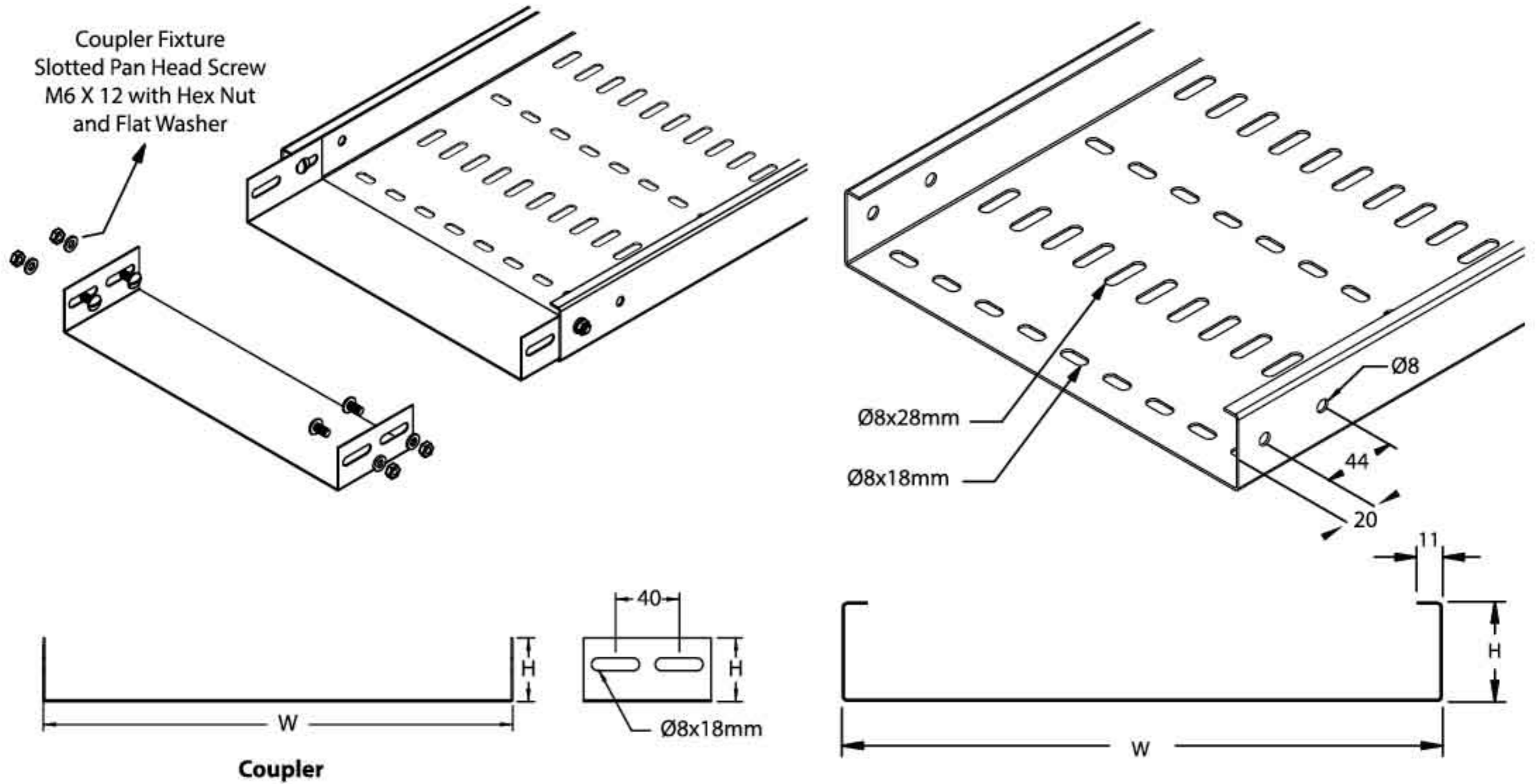
Model	Nominal Size (mm)		
	Body (LxWxH)	Coupler (H)	Thickness
SCT/C-(50X50)(90D)	2438 / 3000 x 50 x 50	30	1.5
SCT/C-(75X50)(90D)	2438 / 3000 x 75 x 50	30	1.5
SCT/C-(100X50)(90D)	2438 / 3000 x 100 x 50	30	1.5
SCT/C-(150X50)(90D)	2438 / 3000 x 150 x 50	30	1.5
SCT/C-(200X50)(90D)	2438 / 3000 x 200 x 50	30	1.5
SCT/C-(250X50)(90D)	2438 / 3000 x 250 x 50	30	1.5
SCT/C-(300X50)(90D)	2438 / 3000 x 300 x 50	30	1.5
SCT/C-(350X50)(90D)	2438 / 3000 x 350 x 50	30	2.0
SCT/C-(400X50)(90D)	2438 / 3000 x 400 x 50	30	2.0
SCT/C-(450X50)(90D)	2438 / 3000 x 450 x 50	30	2.0
SCT/C-(500X50)(90D)	2438 / 3000 x 500 x 50	30	2.0
SCT/C-(550X50)(90D)	2438 / 3000 x 550 x 50	30	2.0
SCT/C-(600X50)(90D)	2438 / 3000 x 600 x 50	30	2.0
SCT/C-(650X50)(90D)	2438 / 3000 x 650 x 50	30	2.0
SCT/C-(700X50)(90D)	2438 / 3000 x 700 x 50	30	2.0
SCT/C-(750X50)(90D)	2438 / 3000 x 750 x 50	30	2.0
SCT/C-(800X50)(90D)	2438 / 3000 x 800 x 50	30	2.0
SCT/C-(850X50)(90D)	2438 / 3000 x 850 x 50	30	2.0
SCT/C-(900X50)(90D)	2438 / 3000 x 900 x 50	30	2.0
SCT/C-(950X50)(90D)	2438 / 3000 x 950 x 50	30	2.0
SCT/C-(1000X50)(90D)	2438 / 3000 x 1000 x 50	30	2.0
SCT/C-(75X75)(90D)	2438 / 3000 x 75 x 75	55	1.5
SCT/C-(100X75)(90D)	2438 / 3000 x 100 x 75	55	1.5
SCT/C-(150X75)(90D)	2438 / 3000 x 150 x 75	55	1.5
SCT/C-(200X75)(90D)	2438 / 3000 x 200 x 75	55	1.5
SCT/C-(250X75)(90D)	2438 / 3000 x 250 x 75	55	1.5
SCT/C-(300X75)(90D)	2438 / 3000 x 300 x 75	55	1.5
SCT/C-(350X75)(90D)	2438 / 3000 x 350 x 75	55	2.0
SCT/C-(400X75)(90D)	2438 / 3000 x 400 x 75	55	2.0
SCT/C-(450X75)(90D)	2438 / 3000 x 450 x 75	55	2.0

**Specification subject to change without prior notice.
***Thickness Tolerance with + - 10%

*For order information, please refer page 17.

Perforated Cable Tray System

Perforated Cable Tray Straight "Type C" 90 Degree (90D)

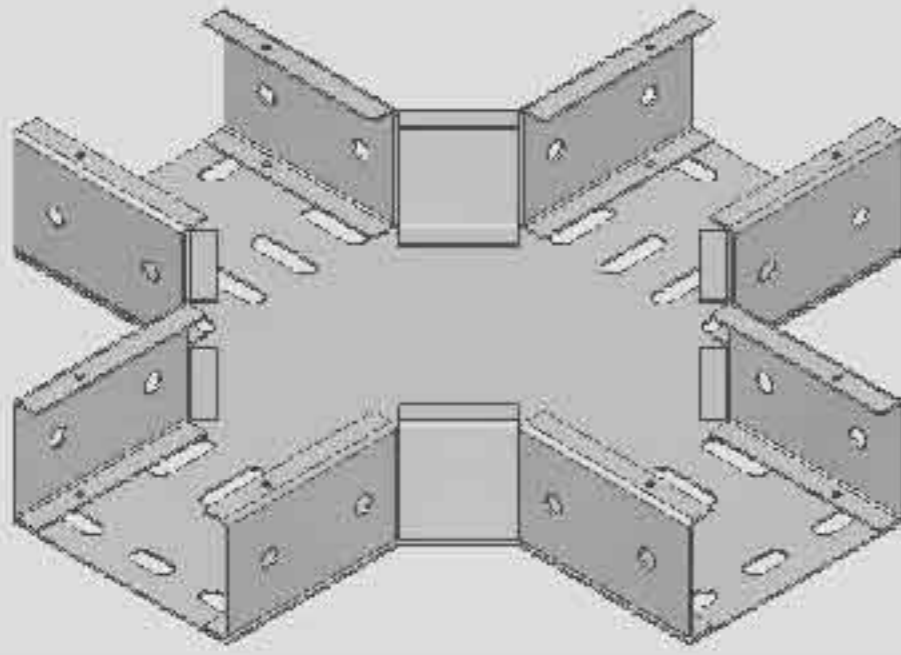


Perforated Cable Tray Straight "Type C" - 90 Degree (90D)

Model	Nominal Size (mm)		
	Body (LxWxH)	Coupler (H)	Thickness
SCT/C-(500X75)(90D)	2438 / 3000 x 500 x 75	55	2.0
SCT/C-(550X75)(90D)	2438 / 3000 x 550 x 75	55	2.0
SCT/C-(600X75)(90D)	2438 / 3000 x 600 x 75	55	2.0
SCT/C-(650X75)(90D)	2438 / 3000 x 650 x 75	55	2.0
SCT/C-(700X75)(90D)	2438 / 3000 x 700 x 75	55	2.0
SCT/C-(750X75)(90D)	2438 / 3000 x 750 x 75	55	2.0
SCT/C-(800X75)(90D)	2438 / 3000 x 800 x 75	55	2.0
SCT/C-(850X75)(90D)	2438 / 3000 x 850 x 75	55	2.0
SCT/C-(900X75)(90D)	2438 / 3000 x 900 x 75	55	2.0
SCT/C-(950X75)(90D)	2438 / 3000 x 950 x 75	55	2.0
SCT/C-(1000X75)(90D)	2438 / 3000 x 1000 x 75	55	2.0
SCT/C-(100X100)(90D)	2438 / 3000 x 100 x 100	79	1.5
SCT/C-(150X100)(90D)	2438 / 3000 x 150 x 100	79	1.5
SCT/C-(200X100)(90D)	2438 / 3000 x 200 x 100	79	1.5
SCT/C-(250X100)(90D)	2438 / 3000 x 250 x 100	79	1.5
SCT/C-(300X100)(90D)	2438 / 3000 x 300 x 100	79	1.5
SCT/C-(350X100)(90D)	2438 / 3000 x 350 x 100	79	2.0
SCT/C-(400X100)(90D)	2438 / 3000 x 400 x 100	79	2.0
SCT/C-(450X100)(90D)	2438 / 3000 x 450 x 100	79	2.0
SCT/C-(500X100)(90D)	2438 / 3000 x 500 x 100	79	2.0
SCT/C-(550X100)(90D)	2438 / 3000 x 550 x 100	79	2.0
SCT/C-(600X100)(90D)	2438 / 3000 x 600 x 100	79	2.0
SCT/C-(650X100)(90D)	2438 / 3000 x 650 x 100	79	2.0
SCT/C-(700X100)(90D)	2438 / 3000 x 700 x 100	79	2.0
SCT/C-(750X100)(90D)	2438 / 3000 x 750 x 100	79	2.0
SCT/C-(800X100)(90D)	2438 / 3000 x 800 x 100	79	2.0
SCT/C-(850X100)(90D)	2438 / 3000 x 850 x 100	79	2.0
SCT/C-(900X100)(90D)	2438 / 3000 x 900 x 100	79	2.0
SCT/C-(950X100)(90D)	2438 / 3000 x 950 x 100	79	2.0
SCT/C-(1000X100)(90D)	2438 / 3000 x 1000 x 100	79	2.0

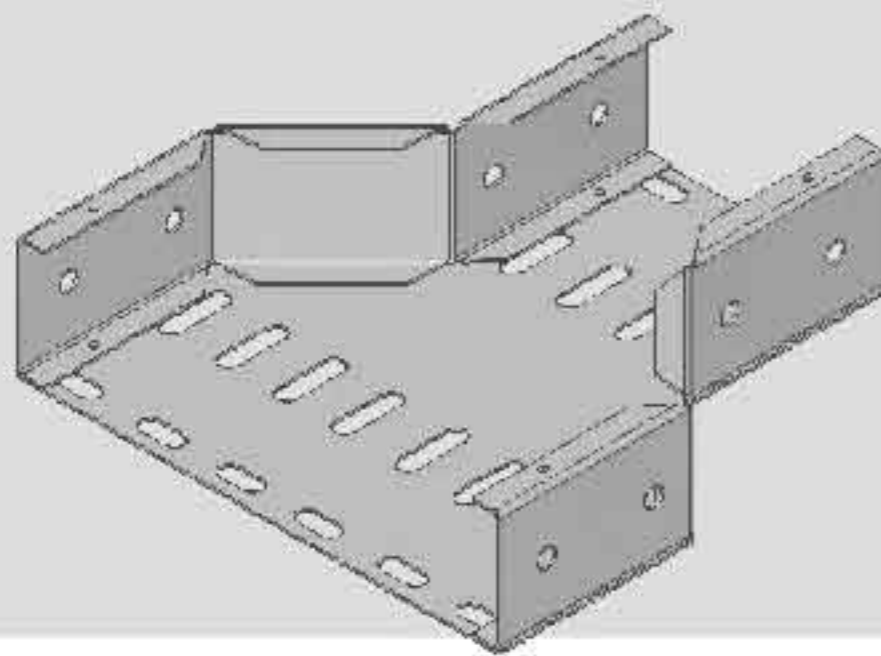
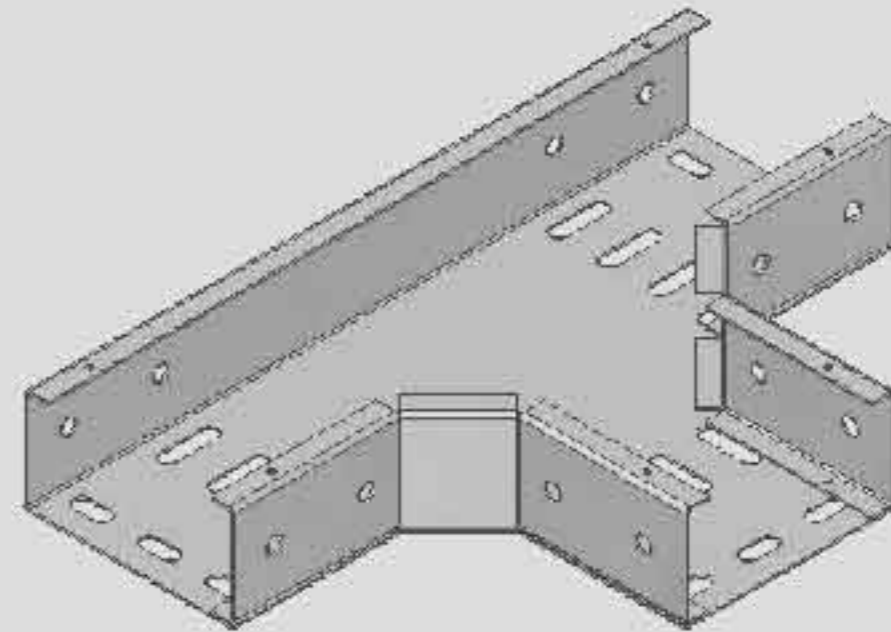
**Specification subject to change without prior notice.
 ***Thickness Tolerance with + - 10%

*For order information, please refer page 17.



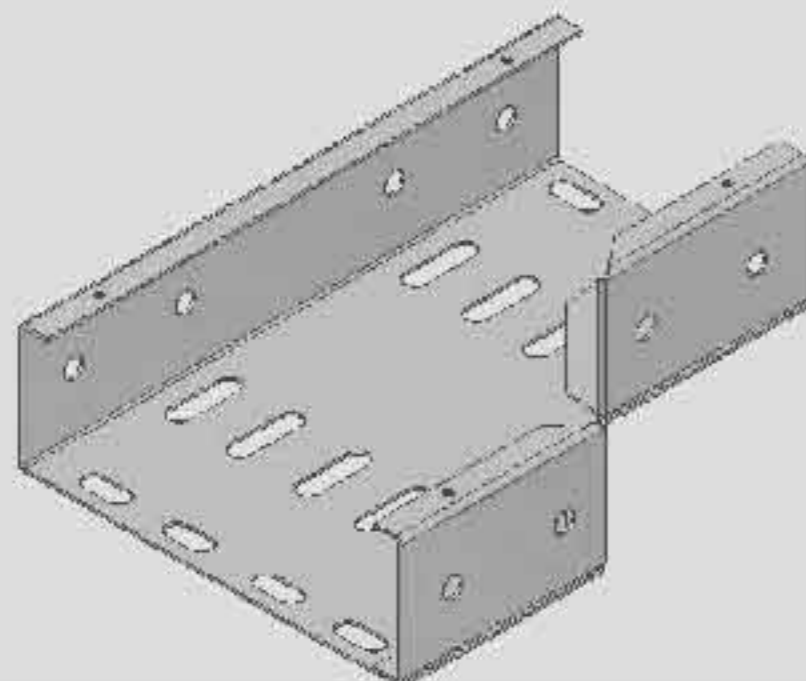
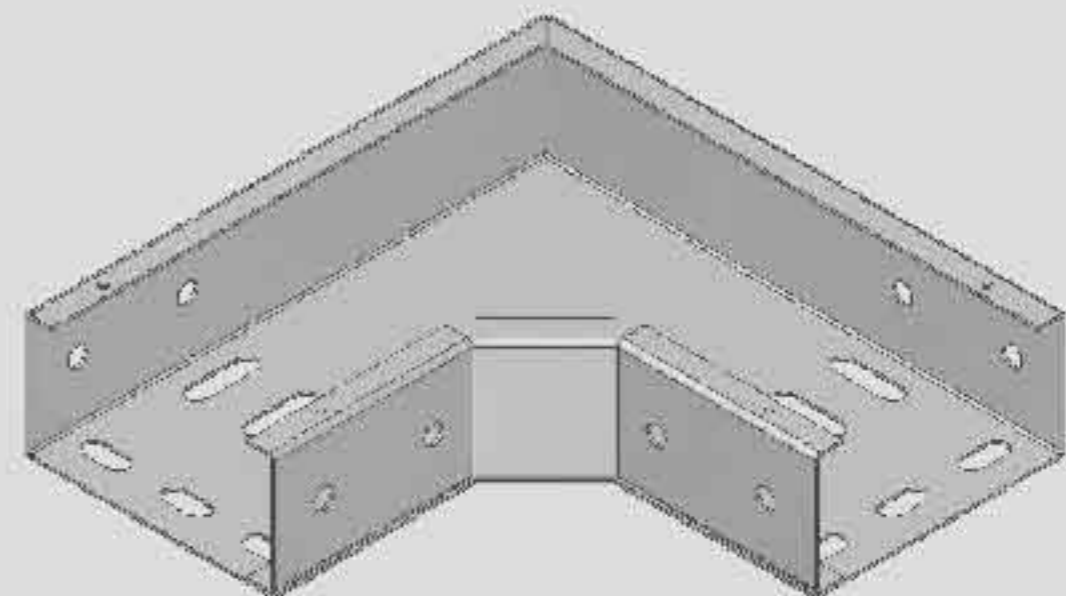
◀ **Flatwise Cross**
SCT/C (90D) AC-1

Flatwise Tee ▶
SCT/C (90D) AC-2



◀ **Straight Reducer**
SCT/C (90D) AC-5

Flatwise Elbow ▶
SCT/C (90D) AC-6

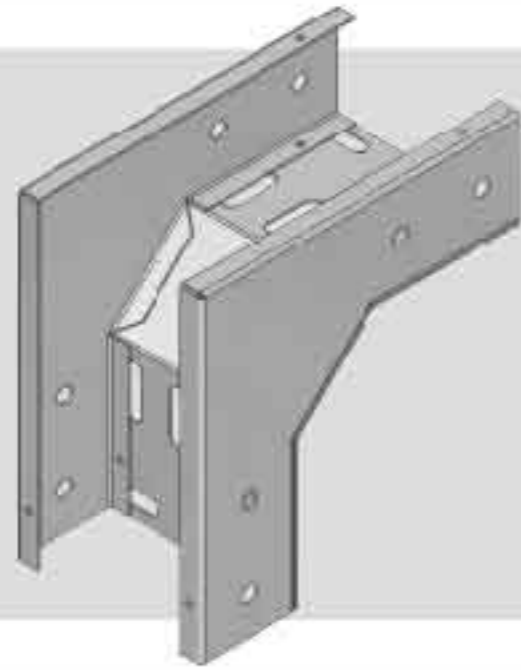
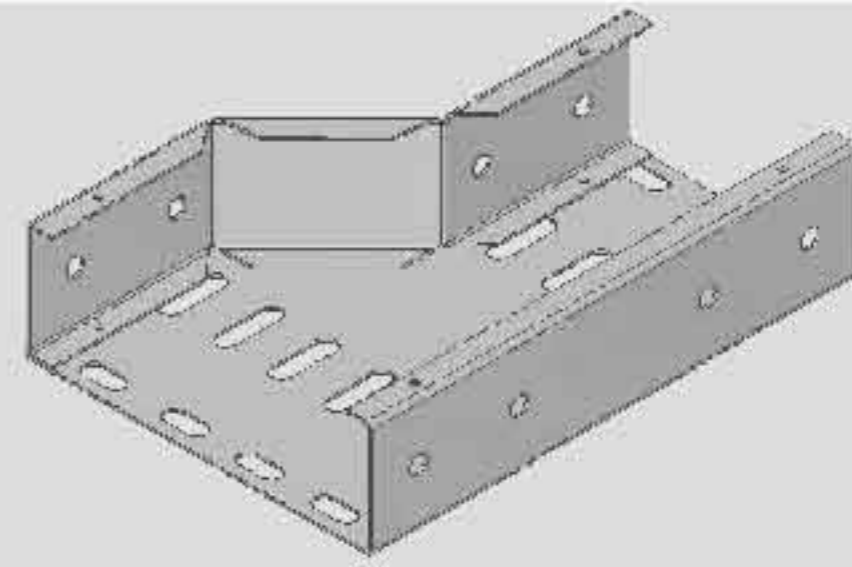


◀ **Righthand Reducer**
SCT/C (90D) AC-3

**Other design and sizes are available upon request.

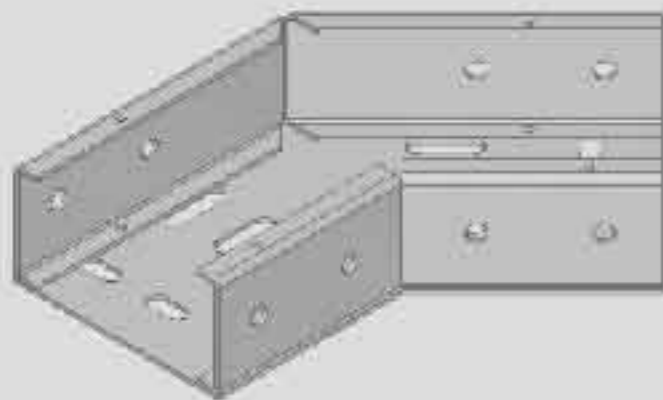
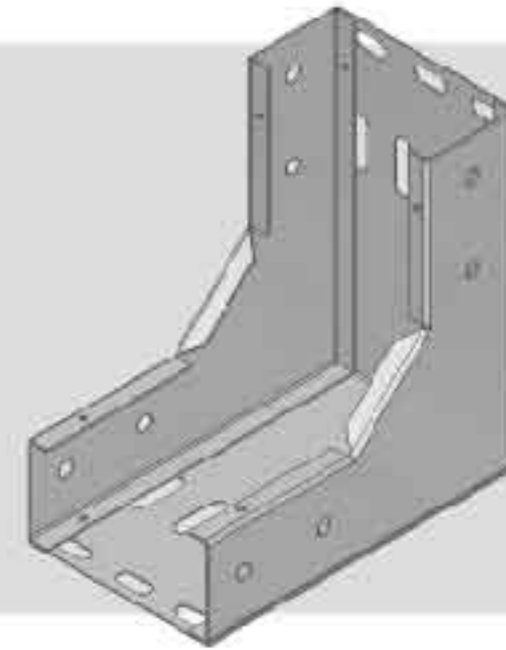
"Type C" (90D) 

Lefthand Reducer ▶
SCT/C (90D) AC-4



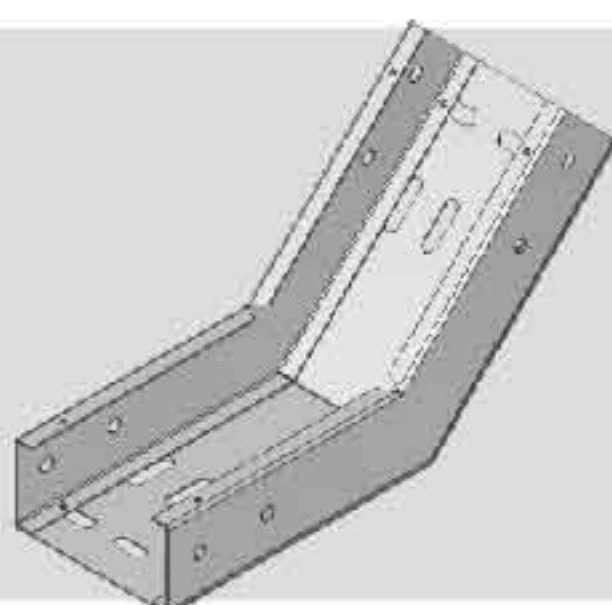
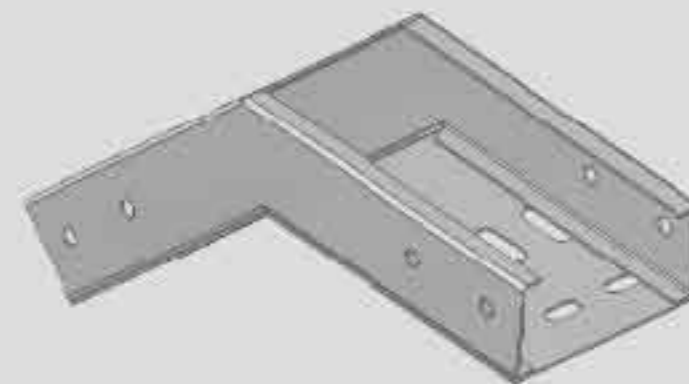
◀ Edgewise Elbow Left
SCT/C (90D) AC-7

Edgewise Elbow Right ▶
SCT/C (90D) AC-8



◀ Elbow Front
SCT/C (90D) AC-9

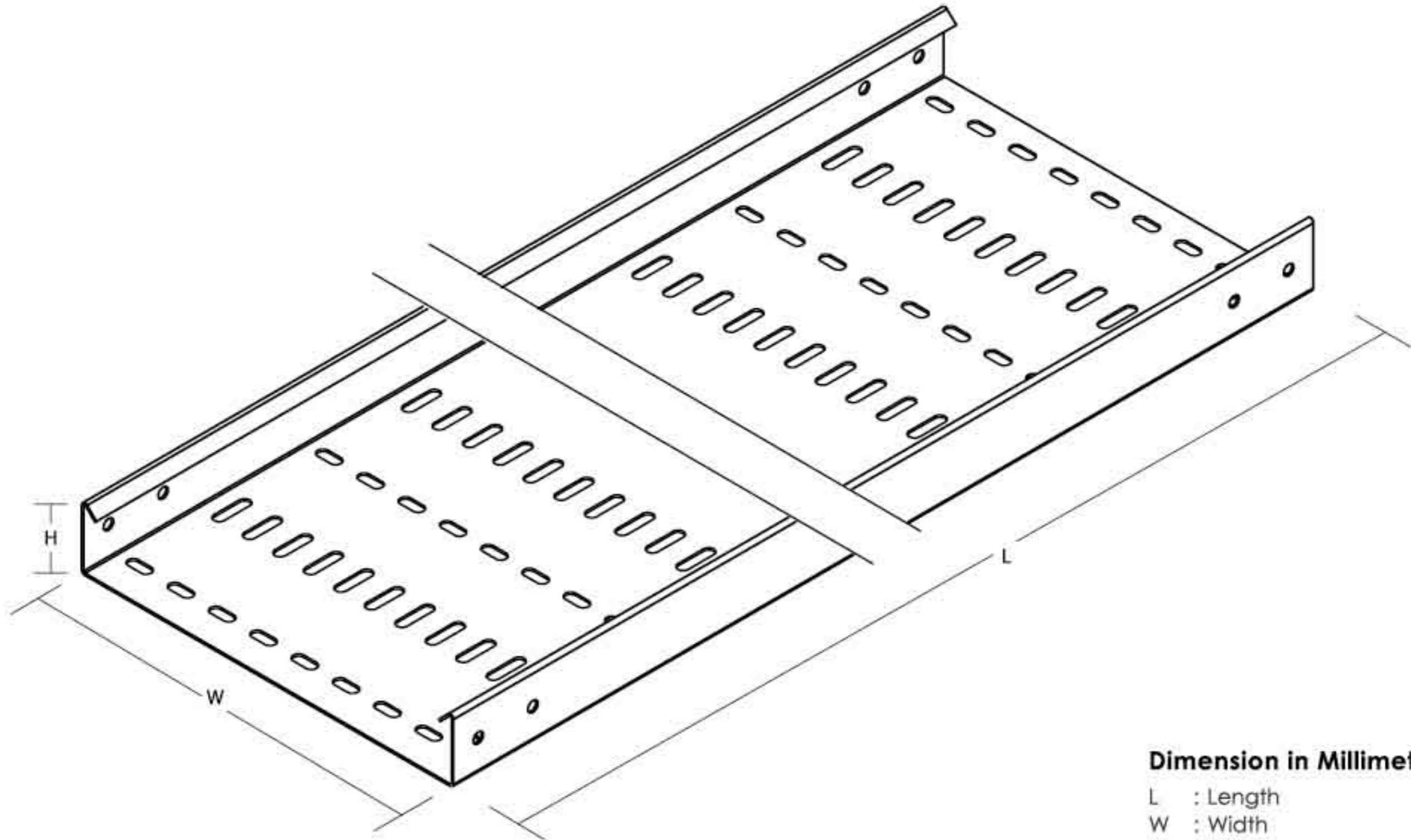
Elbow Top ▶
SCT/C (90D) AC-10



◀ Elbow Bottom
SCT/C (90D) AC-11

**Other design and sizes are available upon request.

"Type C" (90D) 



Dimension in Millimeter (mm)

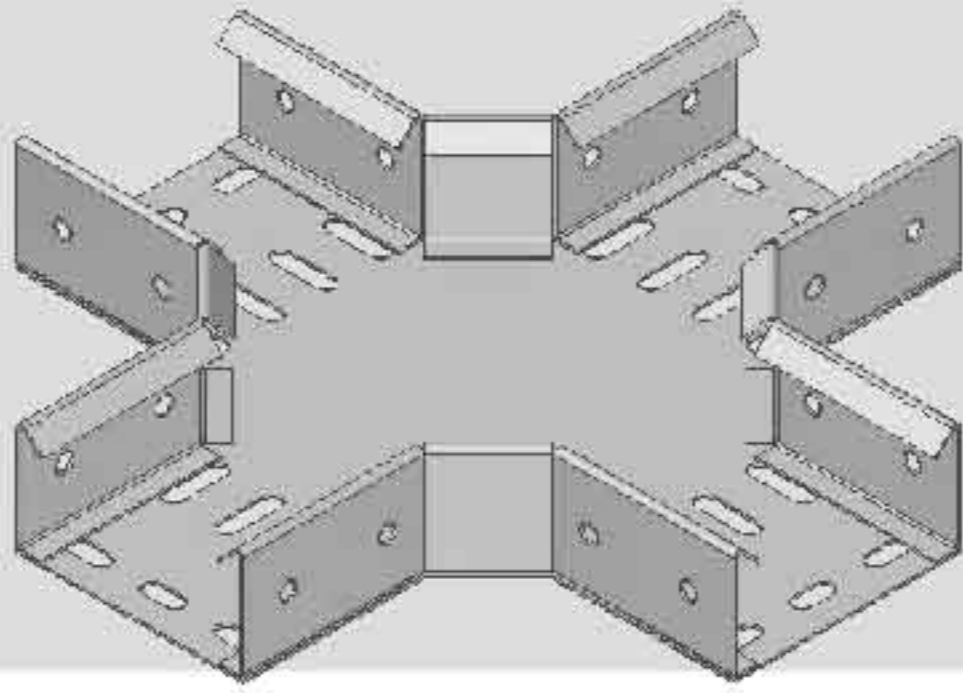
L : Length
W : Width
H : Height

Perforated Cable Tray Straight "Type C" - 45 Degree (45D)

Model	Nominal Size (mm)		
	Body (LxWxH)	Coupler (H)	Thickness
SCT/C-(50X50)(45D)	2438 / 3000 x 50 x 50	30	1.5
SCT/C-(75X50)(45D)	2438 / 3000 x 75 x 50	30	1.5
SCT/C-(100X50)(45D)	2438 / 3000 x 100 x 50	30	1.5
SCT/C-(150X50)(45D)	2438 / 3000 x 150 x 50	30	1.5
SCT/C-(200X50)(45D)	2438 / 3000 x 200 x 50	30	1.5
SCT/C-(250X50)(45D)	2438 / 3000 x 250 x 50	30	1.5
SCT/C-(300X50)(45D)	2438 / 3000 x 300 x 50	30	1.5
SCT/C-(350X50)(45D)	2438 / 3000 x 350 x 50	30	2.0
SCT/C-(400X50)(45D)	2438 / 3000 x 400 x 50	30	2.0
SCT/C-(450X50)(45D)	2438 / 3000 x 450 x 50	30	2.0
SCT/C-(500X50)(45D)	2438 / 3000 x 500 x 50	30	2.0
SCT/C-(550X50)(45D)	2438 / 3000 x 550 x 50	30	2.0
SCT/C-(600X50)(45D)	2438 / 3000 x 600 x 50	30	2.0
SCT/C-(650X50)(45D)	2438 / 3000 x 650 x 50	30	2.0
SCT/C-(700X50)(45D)	2438 / 3000 x 700 x 50	30	2.0
SCT/C-(750X50)(45D)	2438 / 3000 x 750 x 50	30	2.0
SCT/C-(800X50)(45D)	2438 / 3000 x 800 x 50	30	2.0
SCT/C-(850X50)(45D)	2438 / 3000 x 850 x 50	30	2.0
SCT/C-(900X50)(45D)	2438 / 3000 x 900 x 50	30	2.0
SCT/C-(950X50)(45D)	2438 / 3000 x 950 x 50	30	2.0
SCT/C-(1000X50)(45D)	2438 / 3000 x 1000 x 50	30	2.0
SCT/C-(75X75)(45D)	2438 / 3000 x 75 x 75	55	1.5
SCT/C-(100X75)(45D)	2438 / 3000 x 100 x 75	55	1.5
SCT/C-(150X75)(45D)	2438 / 3000 x 150 x 75	55	1.5
SCT/C-(200X75)(45D)	2438 / 3000 x 200 x 75	55	1.5
SCT/C-(250X75)(45D)	2438 / 3000 x 250 x 75	55	1.5
SCT/C-(300X75)(45D)	2438 / 3000 x 300 x 75	55	1.5
SCT/C-(350X75)(45D)	2438 / 3000 x 350 x 75	55	2.0
SCT/C-(400X75)(45D)	2438 / 3000 x 400 x 75	55	2.0
SCT/C-(450X75)(45D)	2438 / 3000 x 450 x 75	55	2.0

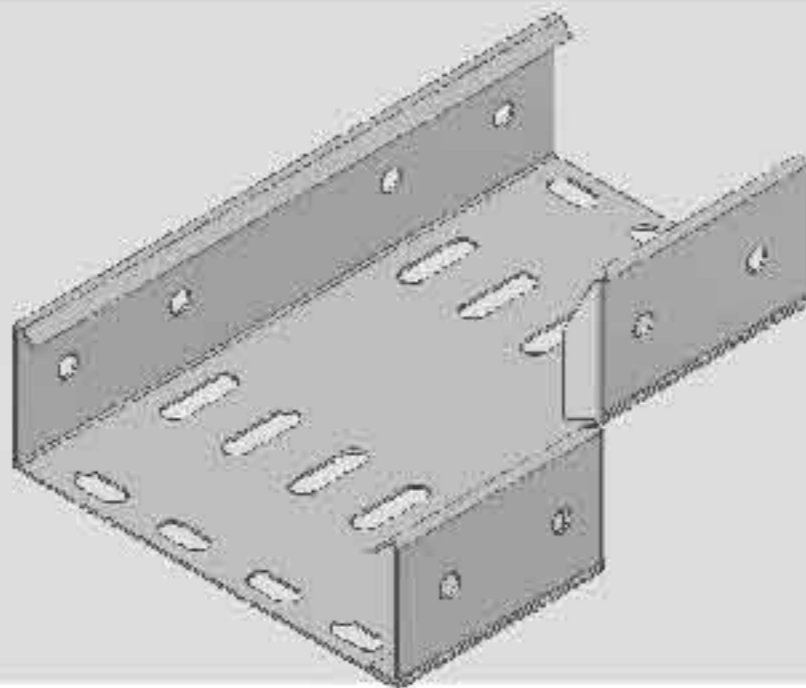
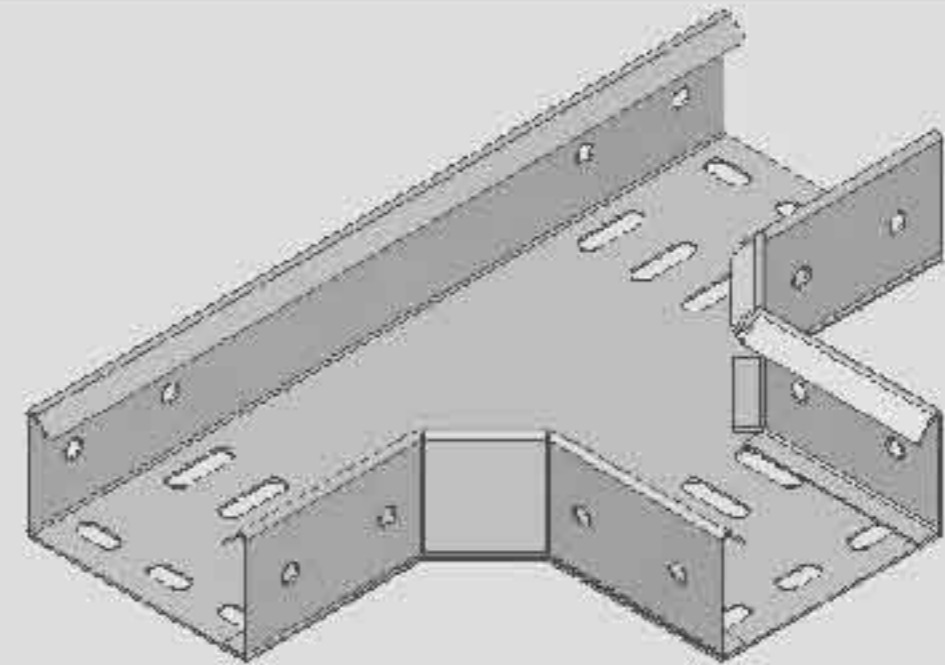
**Specification subject to change without prior notice.
***Thickness Tolerance with + - 10%

*For order information, please refer page 17.



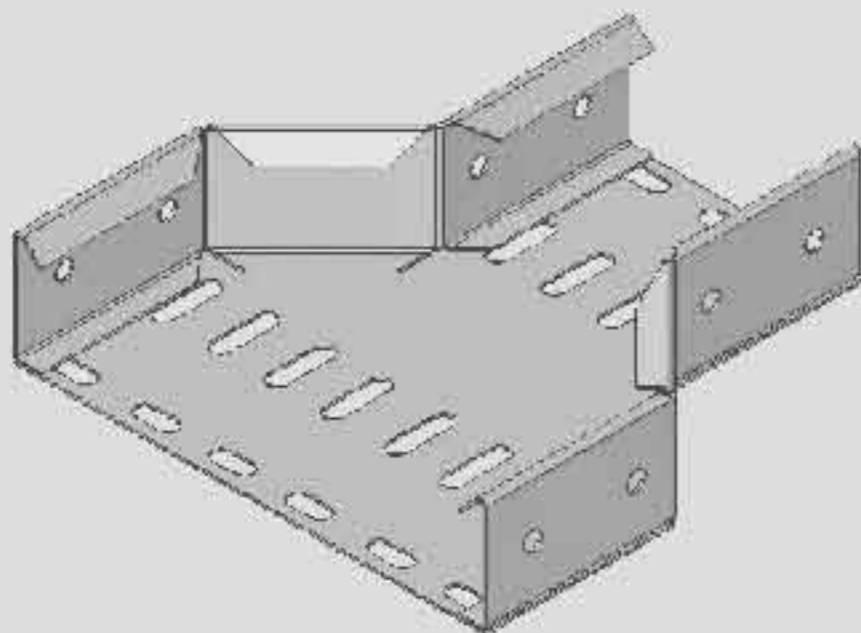
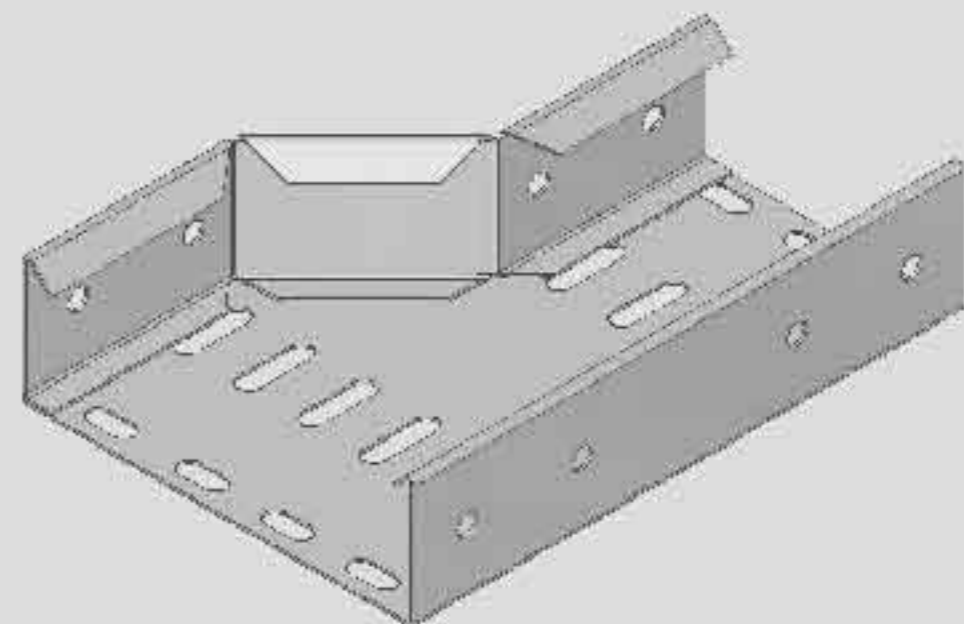
◀ **Flatwise Cross**
SCT/C (45D) AC-1

Flatwise Tee ▶
SCT/C (45D) AC-2



◀ **Righthand Reducer**
SCT/C (45D) AC-3

Lefthand Reducer ▶
SCT/C (45D) AC-4

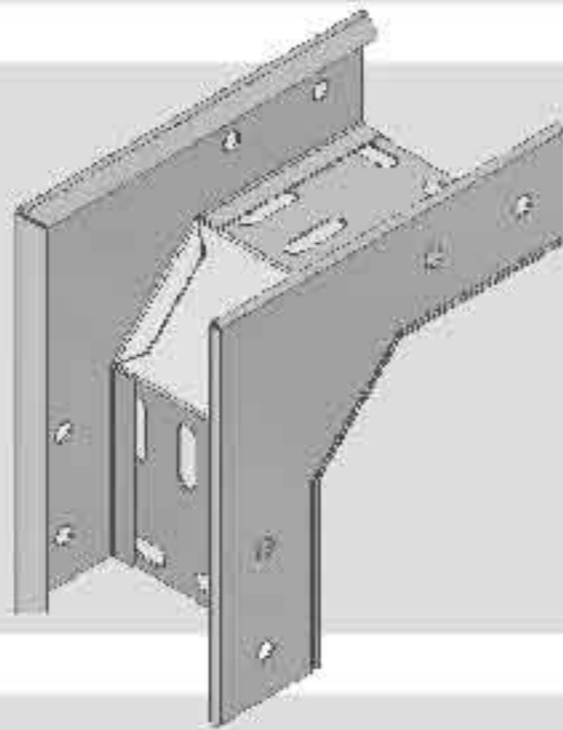
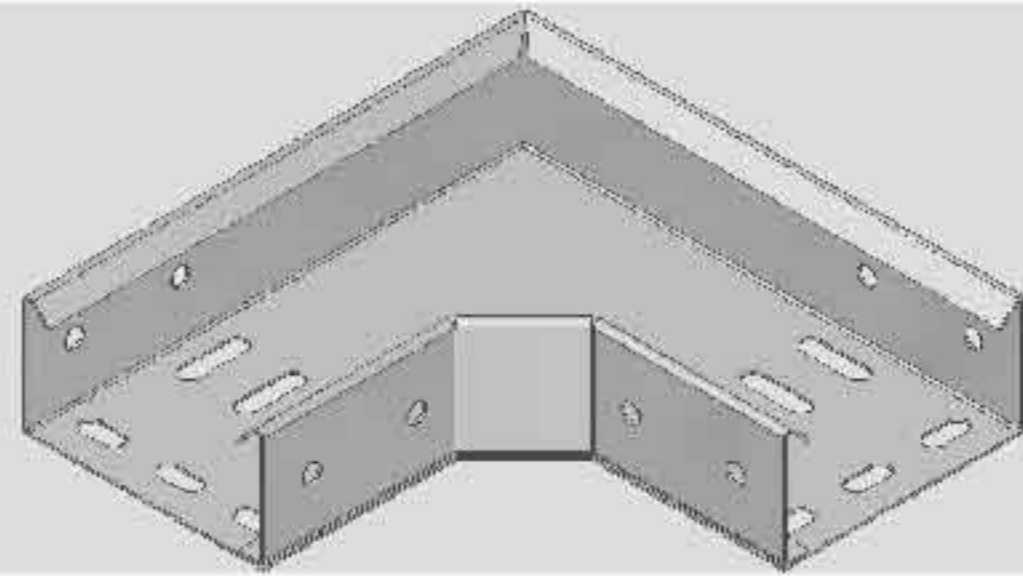


◀ **Straight Reducer**
SCT/C (45D) AC-5

**Other design and sizes are available upon request.

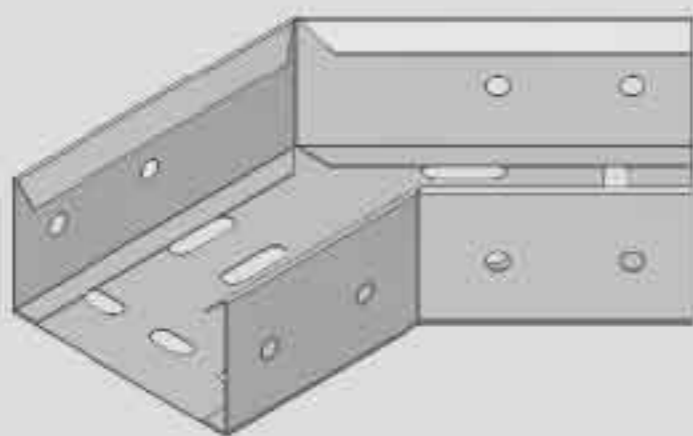
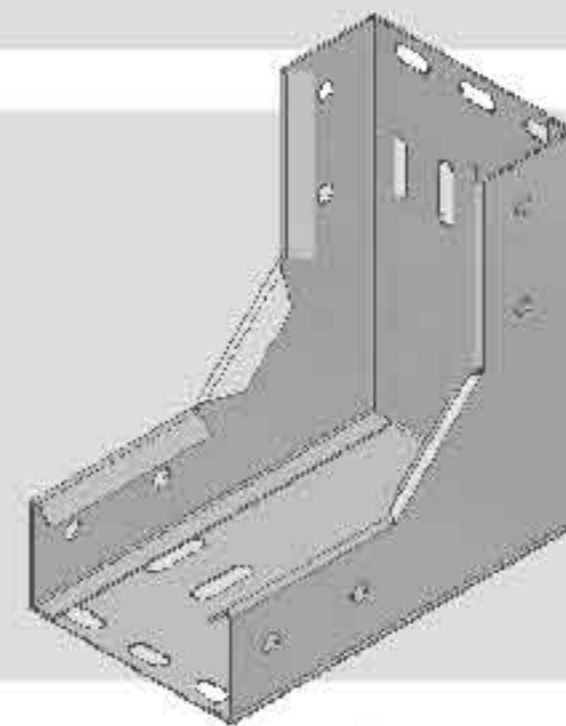
"Type C" (45D)

Flatwise Elbow ▶
SCT/C (45D) AC-6



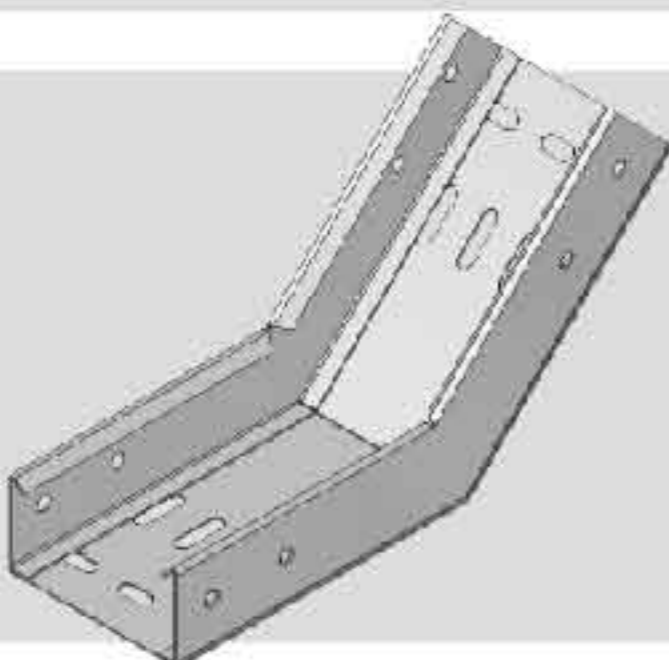
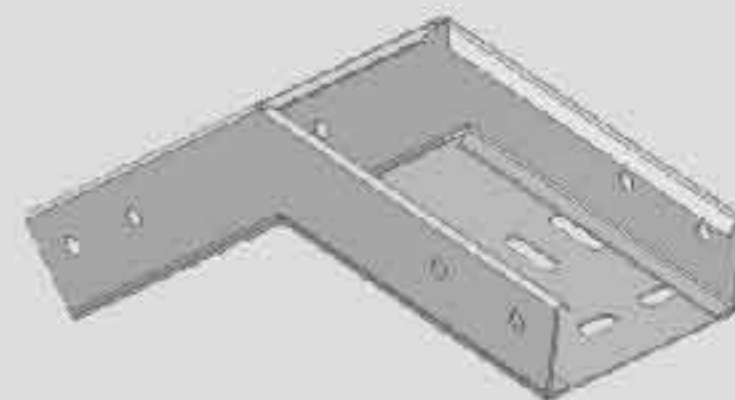
◀ Edgewise Elbow Left
SCT/C (45D) AC-7

Edgewise Elbow Right ▶
SCT/C (45D) AC-8



◀ Elbow Front
SCT/C (45D) AC-9

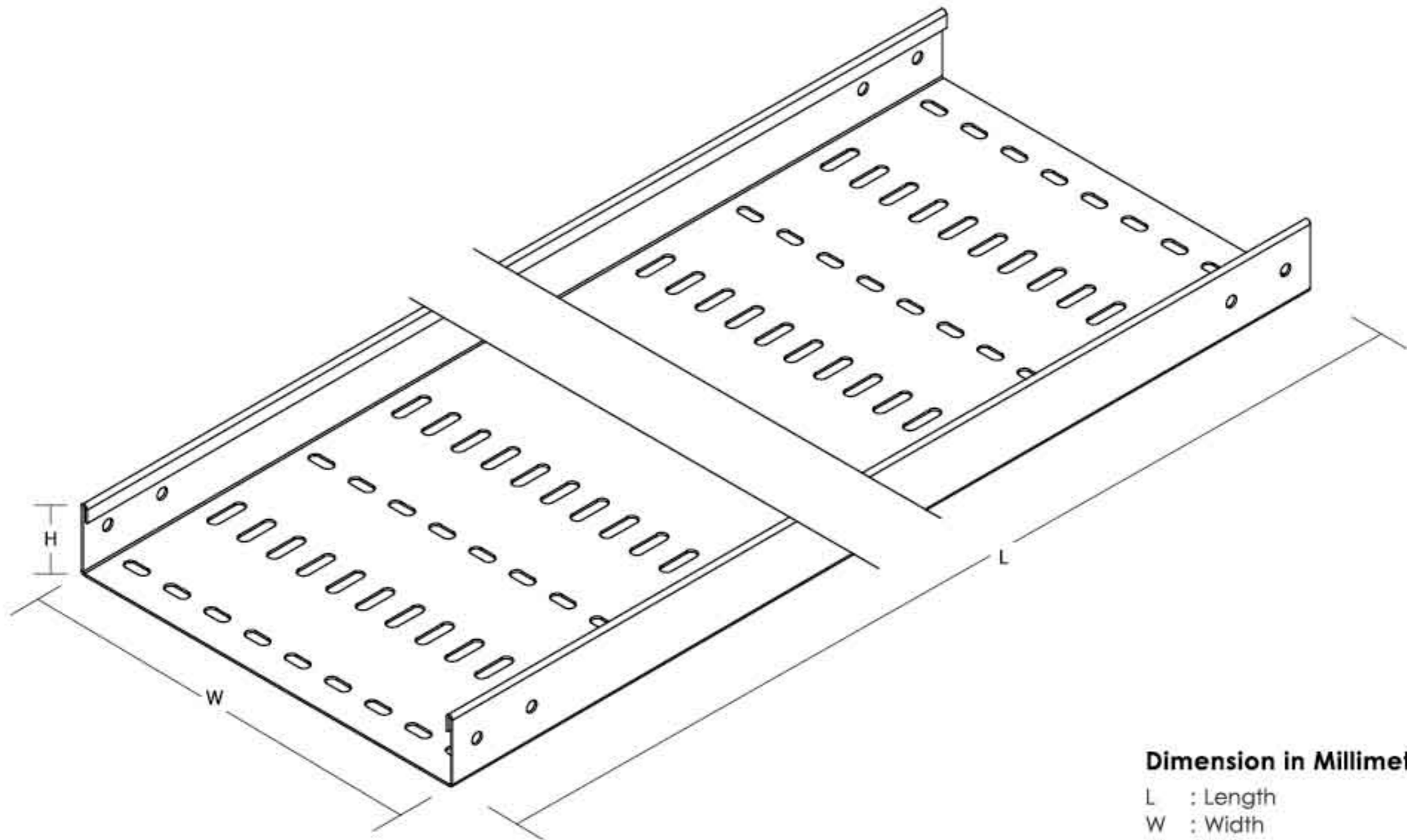
Elbow Top ▶
SCT/C (45D) AC-10



◀ Elbow Bottom
SCT/C (45D) AC-11

**Other design and sizes are available upon request.

"Type C" (45D)



Dimension in Millimeter (mm)

L : Length

W : Width

H : Height

Perforated Cable Tray Straight "Type R"

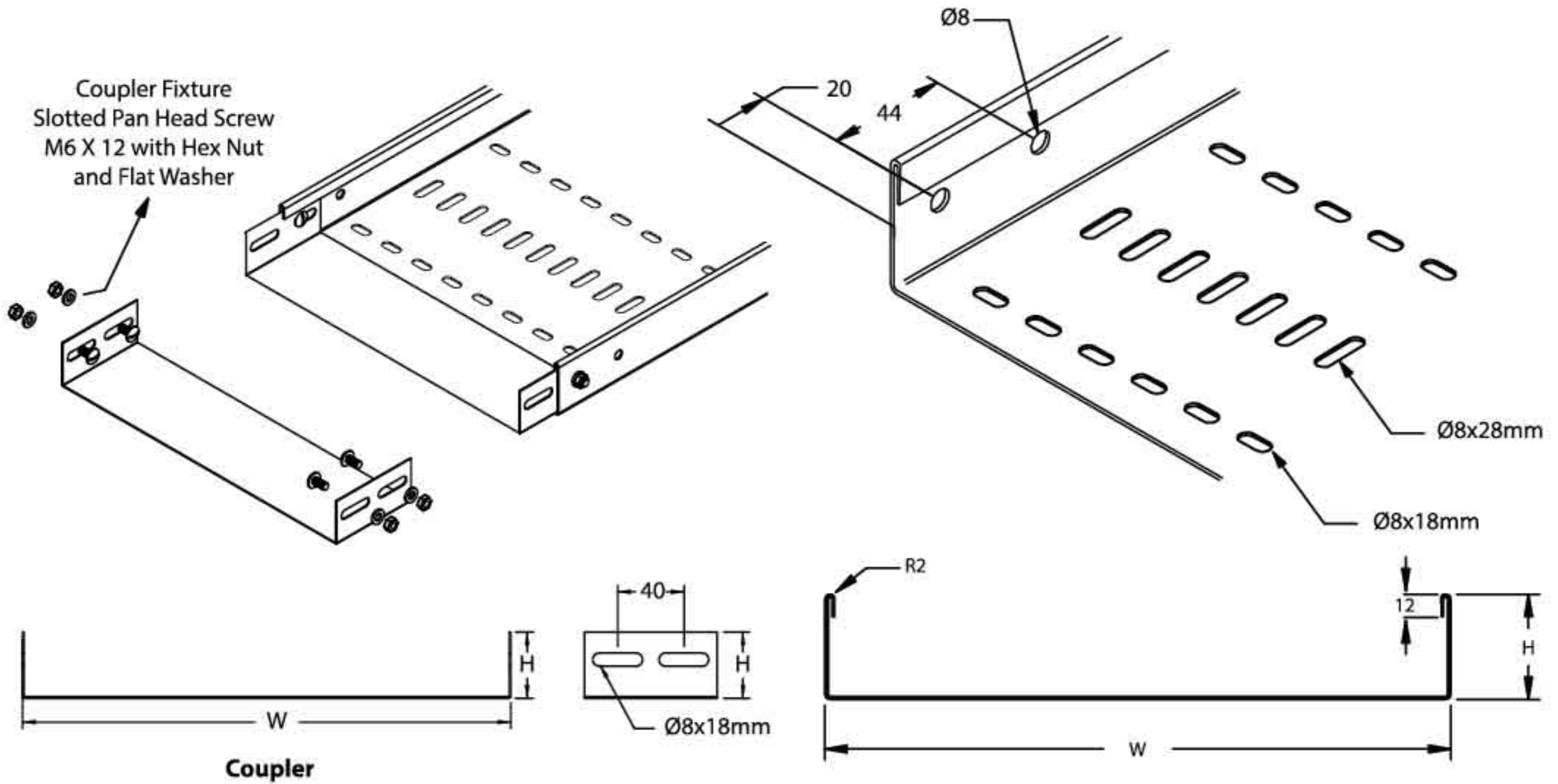
Model	Nominal Size (mm)		
	Body (LxWxH)	Coupler (H)	Thickness
SCT/R-(50X50)	2438 / 3000 x 50 x 50	30	1.5
SCT/R-(75X50)	2438 / 3000 x 75 x 50	30	1.5
SCT/R-(100X50)	2438 / 3000 x 100 x 50	30	1.5
SCT/R-(150X50)	2438 / 3000 x 150 x 50	30	1.5
SCT/R-(200X50)	2438 / 3000 x 200 x 50	30	1.5
SCT/R-(250X50)	2438 / 3000 x 250 x 50	30	1.5
SCT/R-(300X50)	2438 / 3000 x 300 x 50	30	1.5
SCT/R-(350X50)	2438 / 3000 x 350 x 50	30	2.0
SCT/R-(400X50)	2438 / 3000 x 400 x 50	30	2.0
SCT/R-(450X50)	2438 / 3000 x 450 x 50	30	2.0
SCT/R-(500X50)	2438 / 3000 x 500 x 50	30	2.0
SCT/R-(550X50)	2438 / 3000 x 550 x 50	30	2.0
SCT/R-(600X50)	2438 / 3000 x 600 x 50	30	2.0
SCT/R-(650X50)	2438 / 3000 x 650 x 50	30	2.0
SCT/R-(700X50)	2438 / 3000 x 700 x 50	30	2.0
SCT/R-(750X50)	2438 / 3000 x 750 x 50	30	2.0
SCT/R-(800X50)	2438 / 3000 x 800 x 50	30	2.0
SCT/R-(850X50)	2438 / 3000 x 850 x 50	30	2.0
SCT/R-(900X50)	2438 / 3000 x 900 x 50	30	2.0
SCT/R-(950X50)	2438 / 3000 x 950 x 50	30	2.0
SCT/R-(1000X50)	2438 / 3000 x 1000 x 50	30	2.0
SCT/R-(75X75)	2438 / 3000 x 75 x 75	55	1.5
SCT/R-(100X75)	2438 / 3000 x 100 x 75	55	1.5
SCT/R-(150X75)	2438 / 3000 x 150 x 75	55	1.5
SCT/R-(200X75)	2438 / 3000 x 200 x 75	55	1.5
SCT/R-(250X75)	2438 / 3000 x 250 x 75	55	1.5
SCT/R-(300X75)	2438 / 3000 x 300 x 75	55	1.5
SCT/R-(350X75)	2438 / 3000 x 350 x 75	55	2.0
SCT/R-(400X75)	2438 / 3000 x 400 x 75	55	2.0
SCT/R-(450X75)	2438 / 3000 x 450 x 75	55	2.0

**Specification subject to change without prior notice.
 ***Thickness Tolerance with + - 10%

*For order information, please refer page 17.

Perforated Cable Tray System

Perforated Cable Tray Straight "Type R"

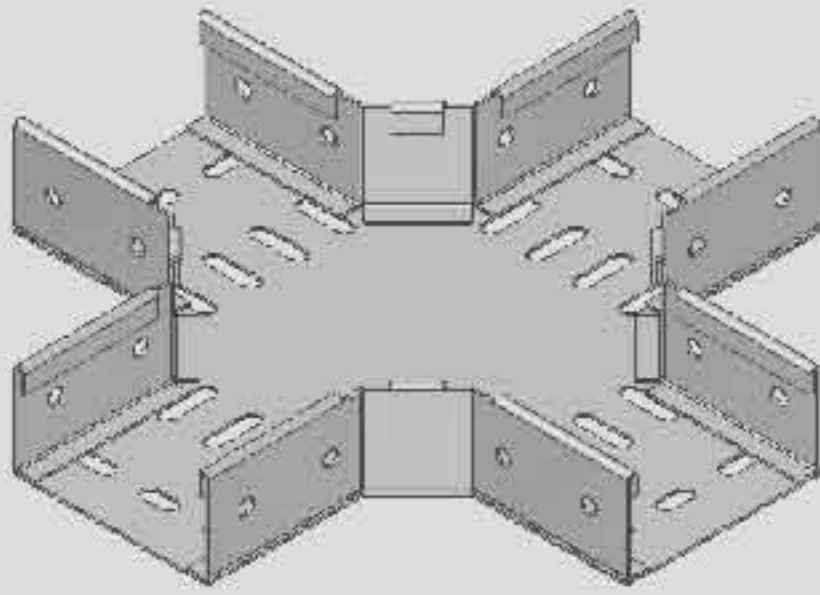


Perforated Cable Tray Straight "Type R"

Model	Nominal Size (mm)		
	Body (LxWxH)	Coupler (H)	Thickness
SCT/R-(500X75)	2438 / 3000 x 500 x 75	55	2.0
SCT/R-(550X75)	2438 / 3000 x 550 x 75	55	2.0
SCT/R-(600X75)	2438 / 3000 x 600 x 75	55	2.0
SCT/R-(650X75)	2438 / 3000 x 650 x 75	55	2.0
SCT/R-(700X75)	2438 / 3000 x 700 x 75	55	2.0
SCT/R-(750X75)	2438 / 3000 x 750 x 75	55	2.0
SCT/R-(800X75)	2438 / 3000 x 800 x 75	55	2.0
SCT/R-(850X75)	2438 / 3000 x 850 x 75	55	2.0
SCT/R-(900X75)	2438 / 3000 x 900 x 75	55	2.0
SCT/R-(950X75)	2438 / 3000 x 950 x 75	55	2.0
SCT/R-(1000X75)	2438 / 3000 x 1000 x 75	55	2.0
SCT/R-(100X100)	2438 / 3000 x 100 x 100	79	1.5
SCT/R-(150X100)	2438 / 3000 x 150 x 100	79	1.5
SCT/R-(200X100)	2438 / 3000 x 200 x 100	79	1.5
SCT/R-(250X100)	2438 / 3000 x 250 x 100	79	1.5
SCT/R-(300X100)	2438 / 3000 x 300 x 100	79	1.5
SCT/R-(350X100)	2438 / 3000 x 350 x 100	79	2.0
SCT/R-(400X100)	2438 / 3000 x 400 x 100	79	2.0
SCT/R-(450X100)	2438 / 3000 x 450 x 100	79	2.0
SCT/R-(500X100)	2438 / 3000 x 500 x 100	79	2.0
SCT/R-(550X100)	2438 / 3000 x 550 x 100	79	2.0
SCT/R-(600X100)	2438 / 3000 x 600 x 100	79	2.0
SCT/R-(650X100)	2438 / 3000 x 650 x 100	79	2.0
SCT/R-(700X100)	2438 / 3000 x 700 x 100	79	2.0
SCT/R-(750X100)	2438 / 3000 x 750 x 100	79	2.0
SCT/R-(800X100)	2438 / 3000 x 800 x 100	79	2.0
SCT/R-(850X100)	2438 / 3000 x 850 x 100	79	2.0
SCT/R-(900X100)	2438 / 3000 x 900 x 100	79	2.0
SCT/R-(950X100)	2438 / 3000 x 950 x 100	79	2.0
SCT/R-(1000X100)	2438 / 3000 x 1000 x 100	79	2.0

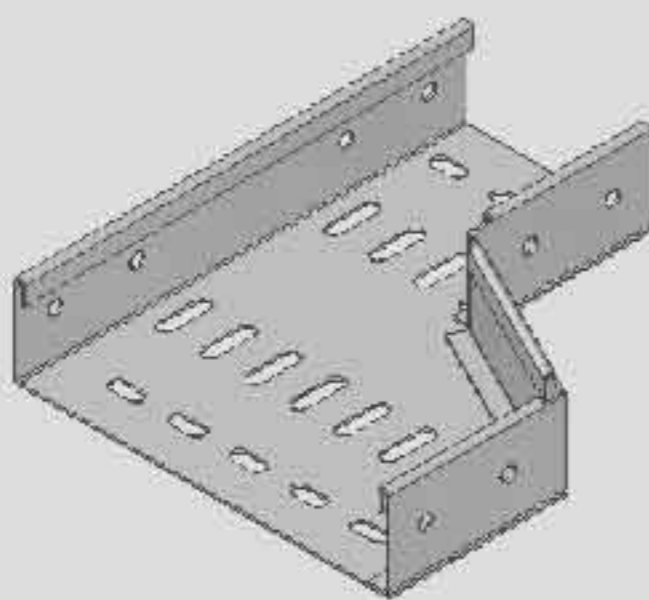
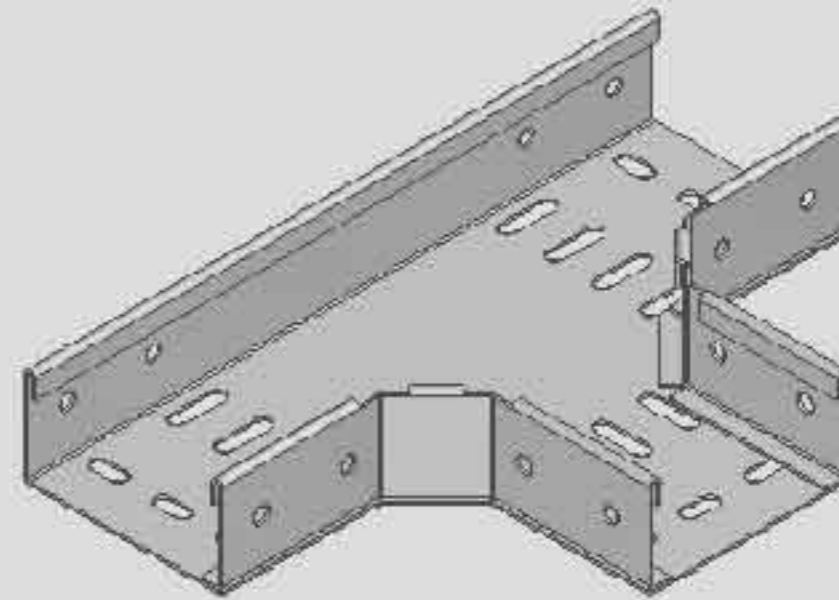
**Specification subject to change without prior notice.
 ***Thickness Tolerance with + - 10%

*For order information, please refer page 17.



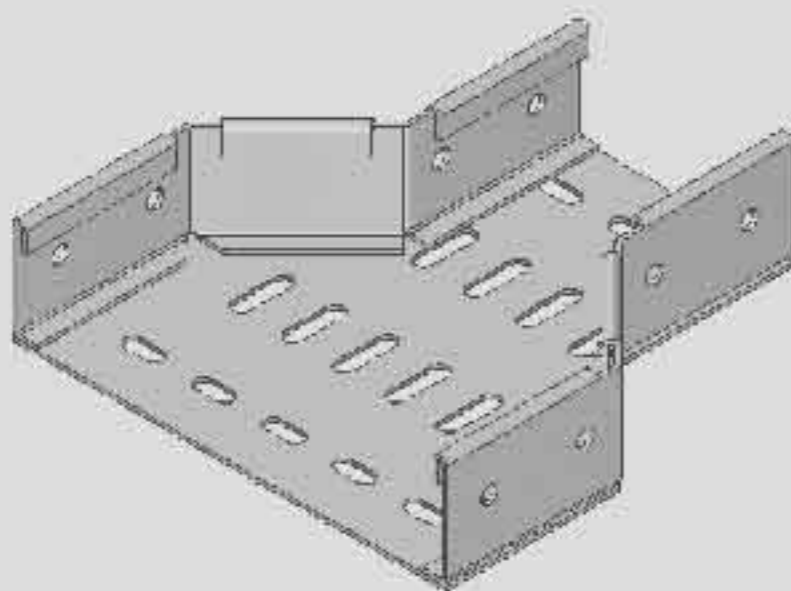
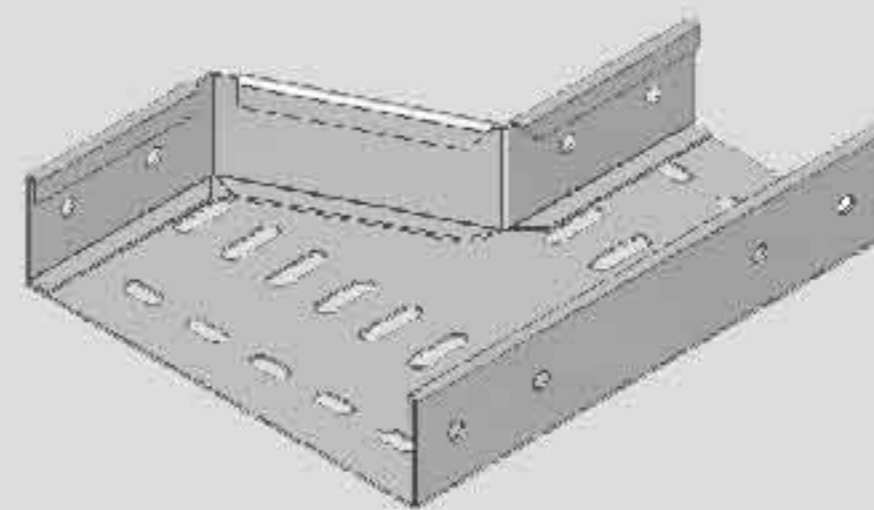
◀ **Flatwise Cross**
SCT/R AC-1

Flatwise Tee ▶
SCT/R AC-2



◀ **Righthand Reducer**
SCT/R AC-3

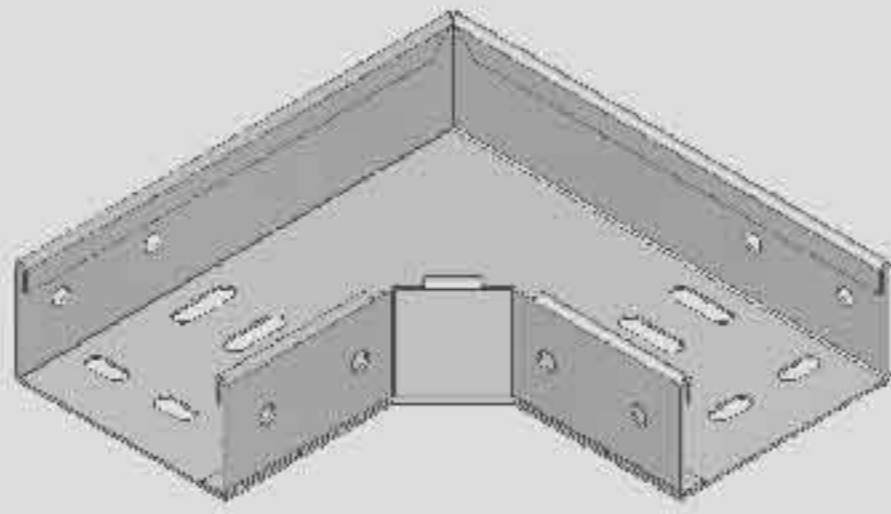
Lefthand Reducer ▶
SCT/R AC-4



◀ **Straight Reducer**
SCT/R AC-5

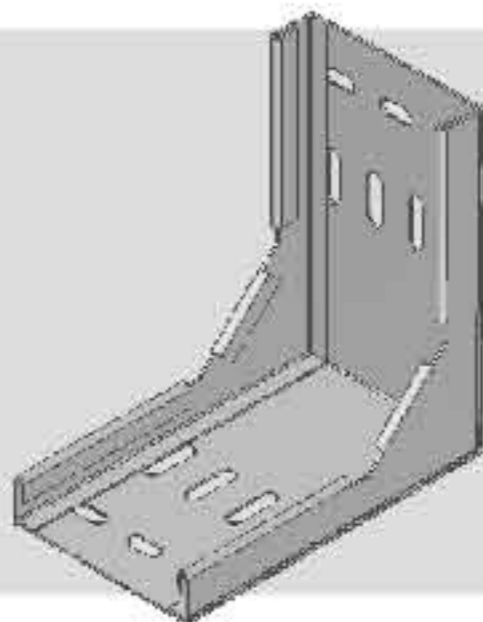
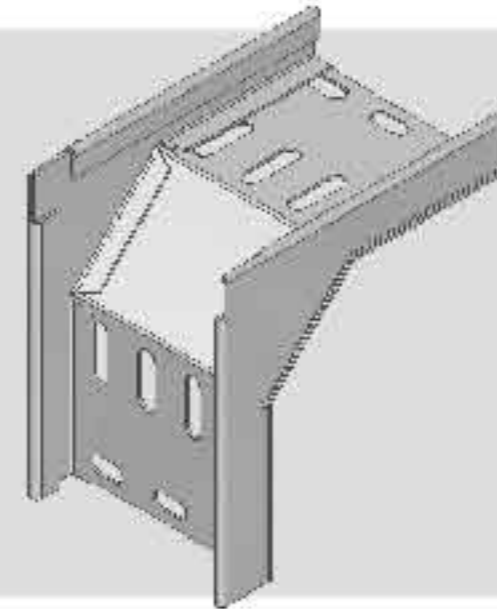
**Other design and sizes are available upon request.

"Type R"



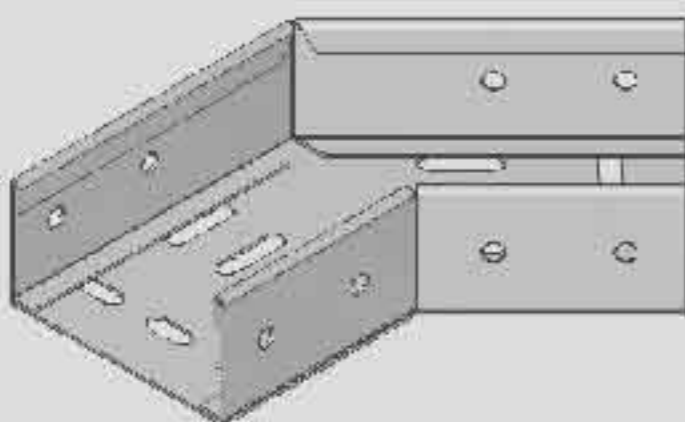
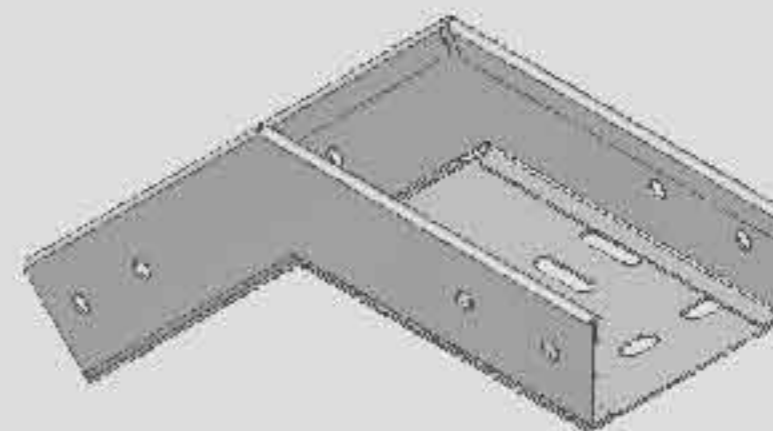
◀ **Flatwise Elbow**
SCT/R AC-6

Edgewise Elbow Left ▶
SCT/R AC-7



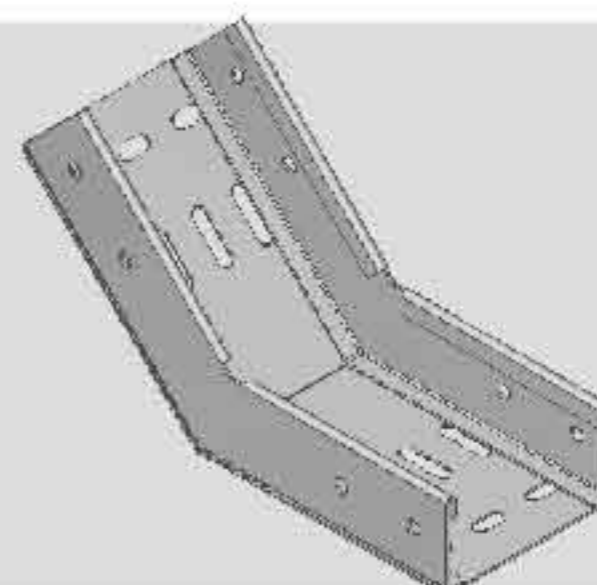
◀ **Edgewise Elbow Right**
SCT/R AC-8

Elbow Top ▶
SCT/R AC-9



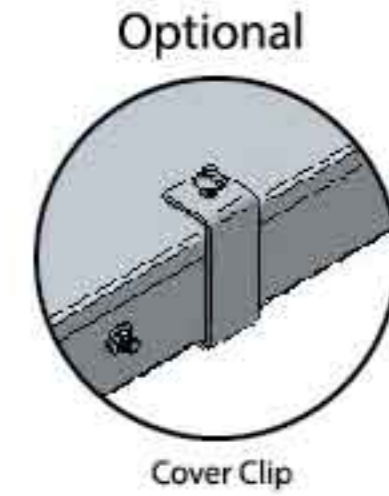
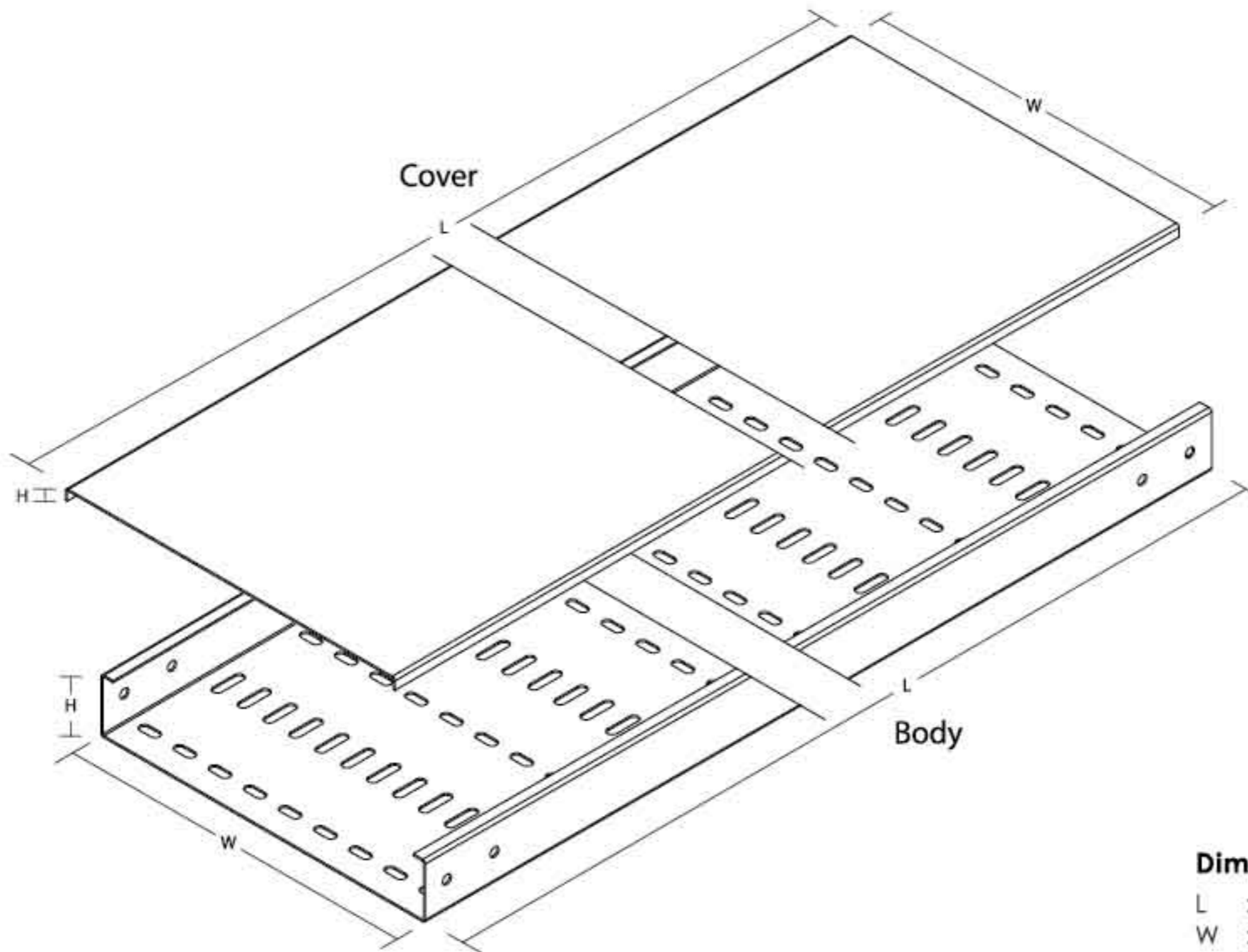
◀ **Elbow Front**
SCT/R AC-10

Elbow Bottom ▶
SCT/R AC-11



**Other design and sizes are available upon request.

"Type R"



Dimension in Millimeter (mm)

L : Length
W : Width
H : Height

Perforated Cable Tray Straight "Type T"

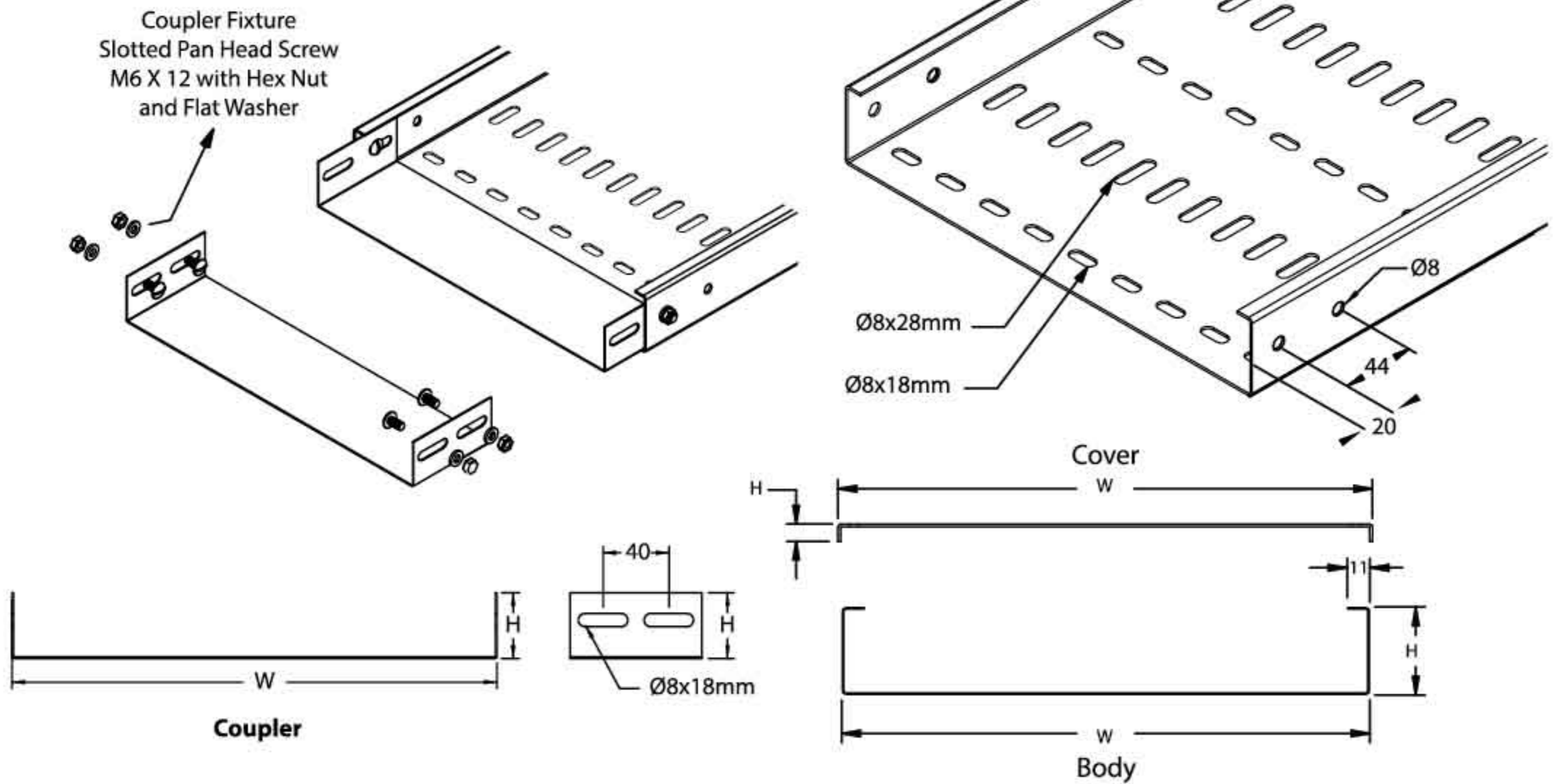
Model	Nominal Size (mm)			
	Body (LxWxH)	Cover (WxH)	Coupler (H)	Thickness
SCT/T-(50X50)	2438 / 3000 x 50 x 50	55 x 11	30	1.5
SCT/T-(75X50)	2438 / 3000 x 75 x 50	80 x 11	30	1.5
SCT/T-(100X50)	2438 / 3000 x 100 x 50	105 x 11	30	1.5
SCT/T-(150X50)	2438 / 3000 x 150 x 50	155 x 11	30	1.5
SCT/T-(200X50)	2438 / 3000 x 200 x 50	205 x 11	30	1.5
SCT/T-(250X50)	2438 / 3000 x 250 x 50	255 x 11	30	1.5
SCT/T-(300X50)	2438 / 3000 x 300 x 50	305 x 11	30	1.5
SCT/T-(350X50)	2438 / 3000 x 350 x 50	356 x 11	30	2.0
SCT/T-(400X50)	2438 / 3000 x 400 x 50	406 x 11	30	2.0
SCT/T-(450X50)	2438 / 3000 x 450 x 50	456 x 11	30	2.0
SCT/T-(500X50)	2438 / 3000 x 500 x 50	506 x 11	30	2.0
SCT/T-(550X50)	2438 / 3000 x 550 x 50	556 x 11	30	2.0
SCT/T-(600X50)	2438 / 3000 x 600 x 50	606 x 11	30	2.0
SCT/T-(650X50)	2438 / 3000 x 650 x 50	656 x 11	30	2.0
SCT/T-(700X50)	2438 / 3000 x 700 x 50	706 x 11	30	2.0
SCT/T-(750X50)	2438 / 3000 x 750 x 50	756 x 11	30	2.0
SCT/T-(800X50)	2438 / 3000 x 800 x 50	806 x 11	30	2.0
SCT/T-(850X50)	2438 / 3000 x 850 x 50	856 x 11	30	2.0
SCT/T-(900X50)	2438 / 3000 x 900 x 50	906 x 11	30	2.0
SCT/T-(950X50)	2438 / 3000 x 950 x 50	956 x 11	30	2.0
SCT/T-(1000X50)	2438 / 3000 x 1000 x 50	1006 x 11	30	2.0
SCT/T-(75X75)	2438 / 3000 x 75 x 75	80 x 11	55	1.5
SCT/T-(100X75)	2438 / 3000 x 100 x 75	105 x 11	55	1.5
SCT/T-(150X75)	2438 / 3000 x 150 x 75	155 x 11	55	1.5
SCT/T-(200X75)	2438 / 3000 x 200 x 75	205 x 11	55	1.5
SCT/T-(250X75)	2438 / 3000 x 250 x 75	255 x 11	55	1.5
SCT/T-(300X75)	2438 / 3000 x 300 x 75	305 x 11	55	1.5
SCT/T-(350X75)	2438 / 3000 x 350 x 75	356 x 11	55	2.0
SCT/T-(400X75)	2438 / 3000 x 400 x 75	406 x 11	55	2.0
SCT/T-(450X75)	2438 / 3000 x 450 x 75	456 x 11	55	2.0

**Specification subject to change without prior notice.
***Thickness Tolerance with + - 10%

*For order information, please refer page 17.

Perforated Cable Tray System

Cable Tray Straight "Type T"

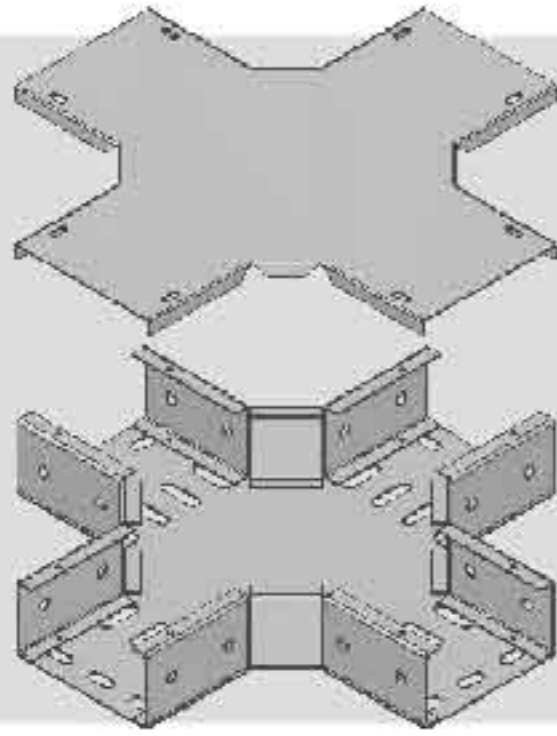


Perforated Cable Tray Straight "Type T"

Model	Nominal Size (mm)			
	Body (LxWxH)	Cover (WxH)	Coupler (H)	Thickness
SCT/T-(500X75)	2438 / 3000 x 500 x 75	506 x 11	55	2.0
SCT/T-(550X75)	2438 / 3000 x 550 x 75	556 x 11	55	2.0
SCT/T-(600X75)	2438 / 3000 x 600 x 75	606 x 11	55	2.0
SCT/T-(650X75)	2438 / 3000 x 650 x 75	656 x 11	55	2.0
SCT/T-(700X75)	2438 / 3000 x 700 x 75	706 x 11	55	2.0
SCT/T-(750X75)	2438 / 3000 x 750 x 75	756 x 11	55	2.0
SCT/T-(800X75)	2438 / 3000 x 800 x 75	806 x 11	55	2.0
SCT/T-(850X75)	2438 / 3000 x 850 x 75	856 x 11	55	2.0
SCT/T-(900X75)	2438 / 3000 x 900 x 75	906 x 11	55	2.0
SCT/T-(950X75)	2438 / 3000 x 950 x 75	956 x 11	55	2.0
SCT/T-(1000X75)	2438 / 3000 x 1000 x 75	1006 x 11	55	2.0
SCT/T-(100X100)	2438 / 3000 x 100 x 100	105 x 11	79	1.5
SCT/T-(150X100)	2438 / 3000 x 150 x 100	155 x 11	79	1.5
SCT/T-(200X100)	2438 / 3000 x 200 x 100	205 x 11	79	1.5
SCT/T-(250X100)	2438 / 3000 x 250 x 100	255 x 11	79	1.5
SCT/T-(300X100)	2438 / 3000 x 300 x 100	305 x 11	79	1.5
SCT/T-(350X100)	2438 / 3000 x 350 x 100	356 x 11	79	2.0
SCT/T-(400X100)	2438 / 3000 x 400 x 100	406 x 11	79	2.0
SCT/T-(450X100)	2438 / 3000 x 450 x 100	456 x 11	79	2.0
SCT/T-(500X100)	2438 / 3000 x 500 x 100	506 x 11	79	2.0
SCT/T-(550X100)	2438 / 3000 x 550 x 100	556 x 11	79	2.0
SCT/T-(600X100)	2438 / 3000 x 600 x 100	606 x 11	79	2.0
SCT/T-(650X100)	2438 / 3000 x 650 x 100	656 x 11	79	2.0
SCT/T-(700X100)	2438 / 3000 x 700 x 100	706 x 11	79	2.0
SCT/T-(750X100)	2438 / 3000 x 750 x 100	756 x 11	79	2.0
SCT/T-(800X100)	2438 / 3000 x 800 x 100	806 x 11	79	2.0
SCT/T-(850X100)	2438 / 3000 x 850 x 100	856 x 11	79	2.0
SCT/T-(900X100)	2438 / 3000 x 900 x 100	906 x 11	79	2.0
SCT/T-(950X100)	2438 / 3000 x 950 x 100	956 x 11	79	2.0
SCT/T-(1000X100)	2438 / 3000 x 1000 x 100	1006 x 11	79	2.0

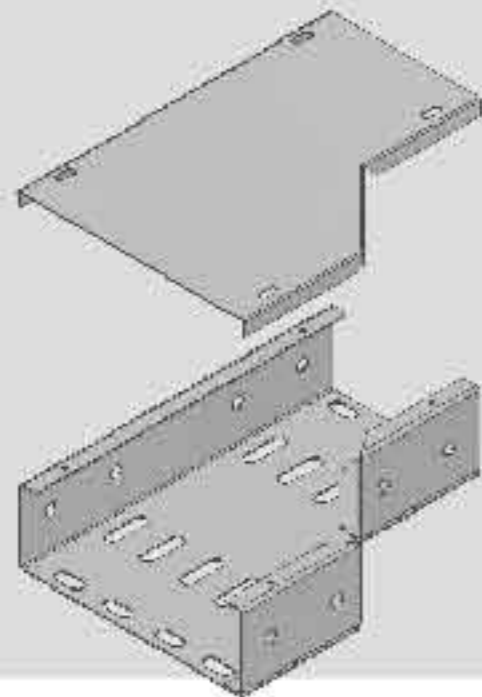
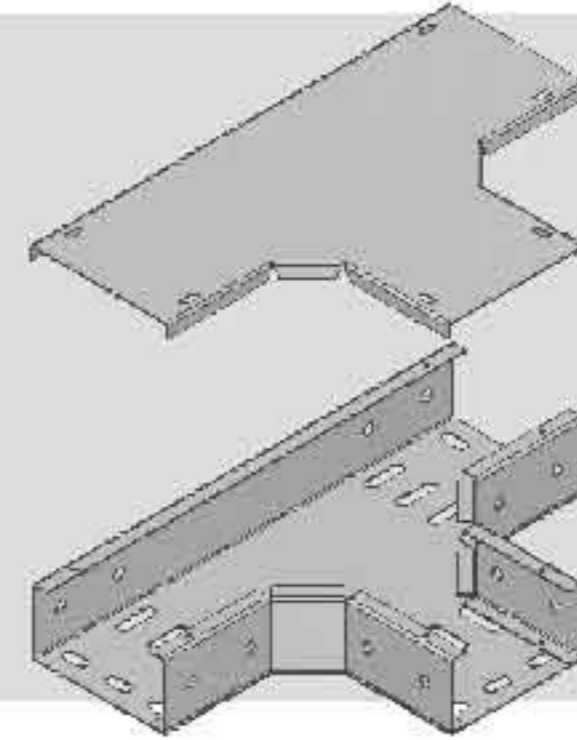
**Specification subject to change without prior notice.
 ***Thickness Tolerance with + - 10%

*For order information, please refer page 17.



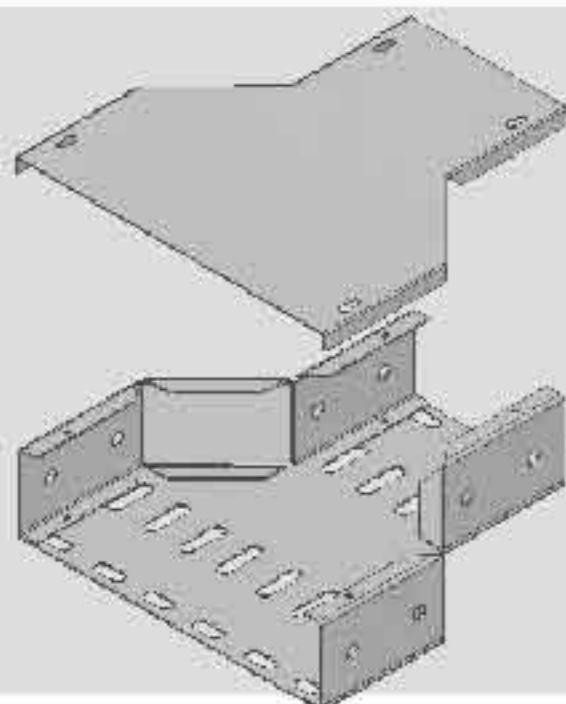
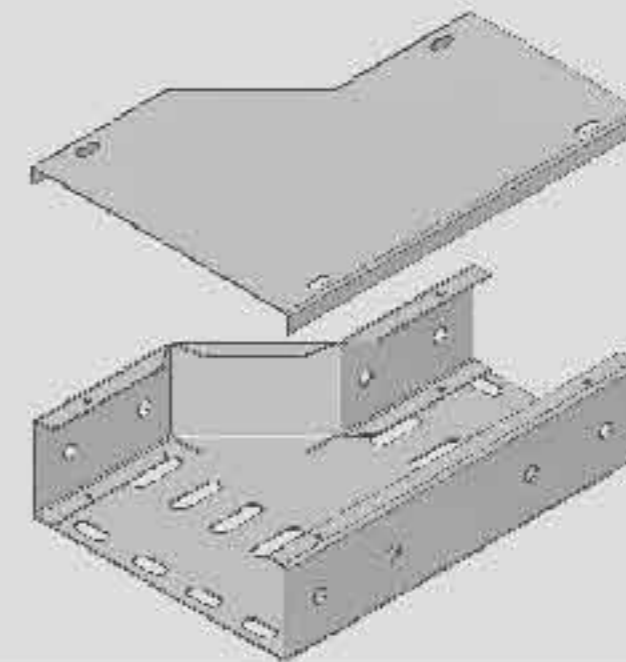
◀ **Flatwise Cross**
SCT/T (90D) AC-1

Flatwise Tee ▶
SCT/T (90D) AC-2



◀ **Righthand Reducer**
SCT/T (90D) AC-3

Lefthand Reducer ▶
SCT/T (90D) AC-4

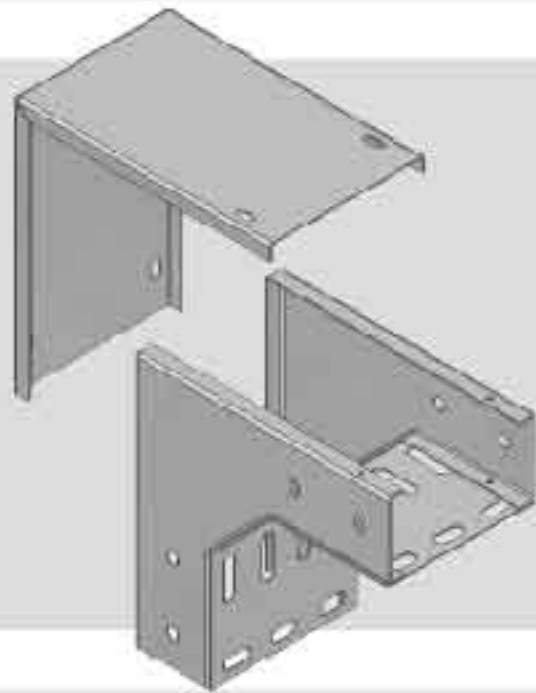
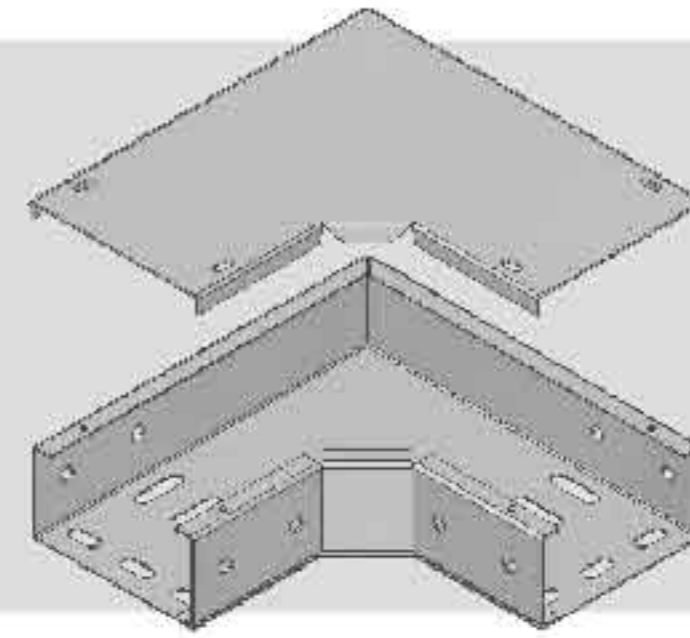


◀ **Straight Reducer**
SCT/T (90D) AC-5

**Other design and sizes are available upon request.

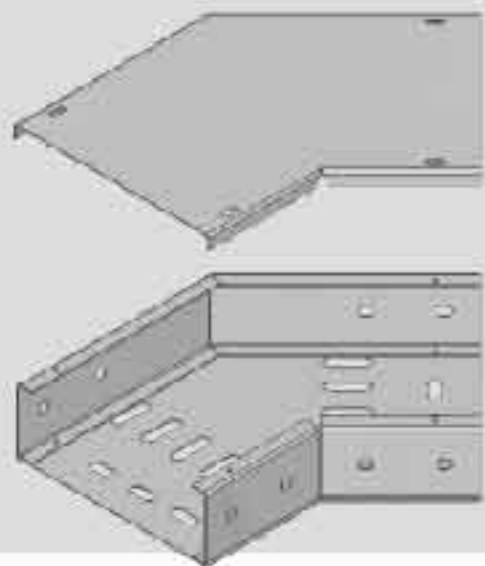
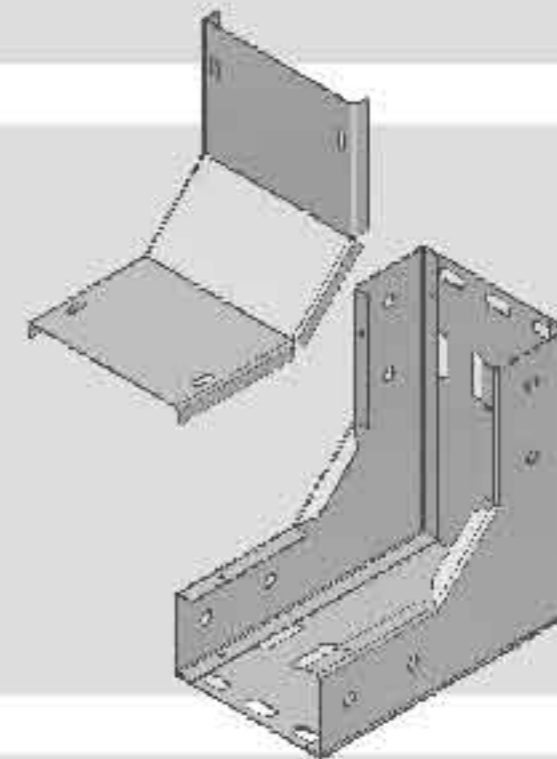
"Type T" 

Flatwise Elbow ▶
SCT/T (90D) AC-6



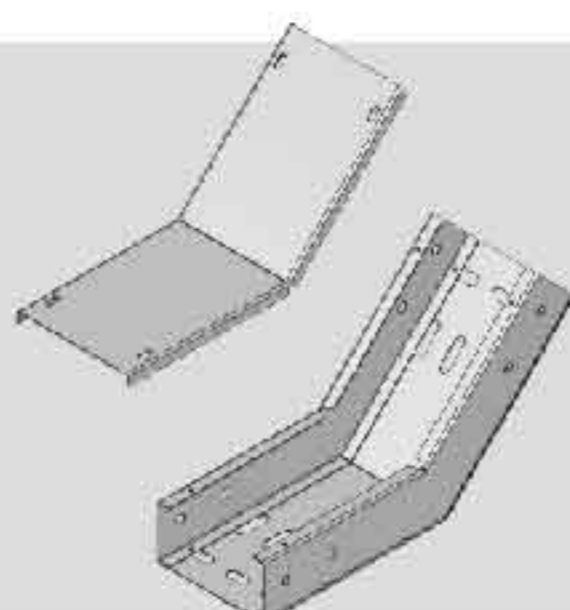
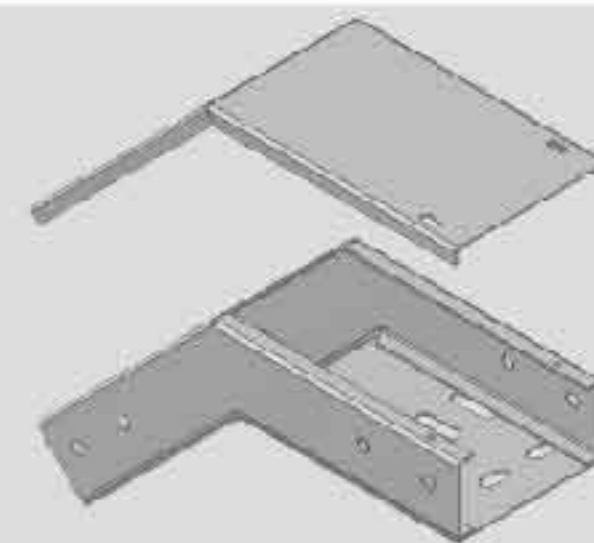
◀ Edgewise Elbow Left
SCT/T (90D) AC-7

Edgewise Elbow Right ▶
SCT/T (90D) AC-8



◀ Elbow Front
SCT/T (90D) AC-9

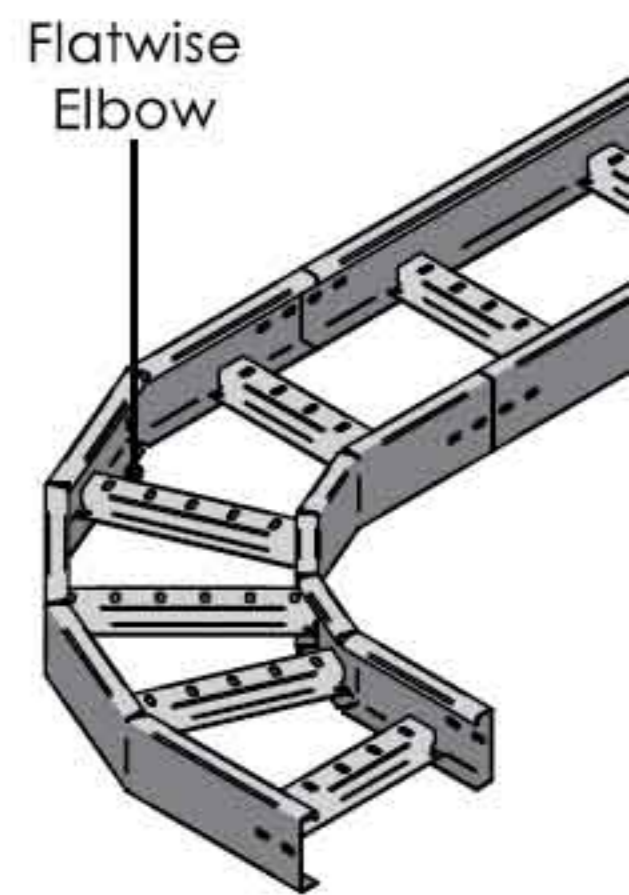
Elbow Top ▶
SCT/T (90D) AC-10



◀ Elbow Bottom
SCT/T (90D) AC-11

**Other design and sizes are available upon request.

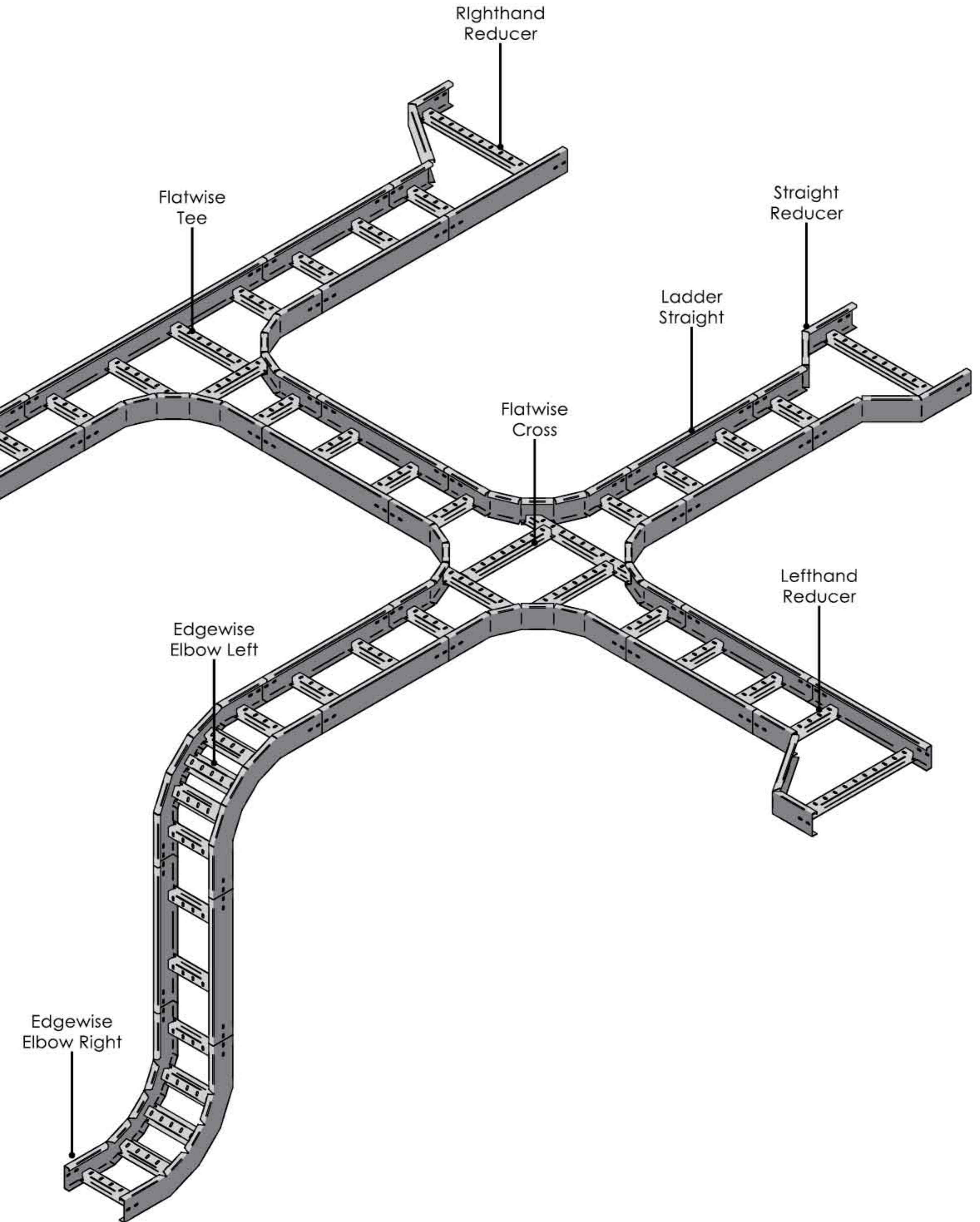
"Type T"

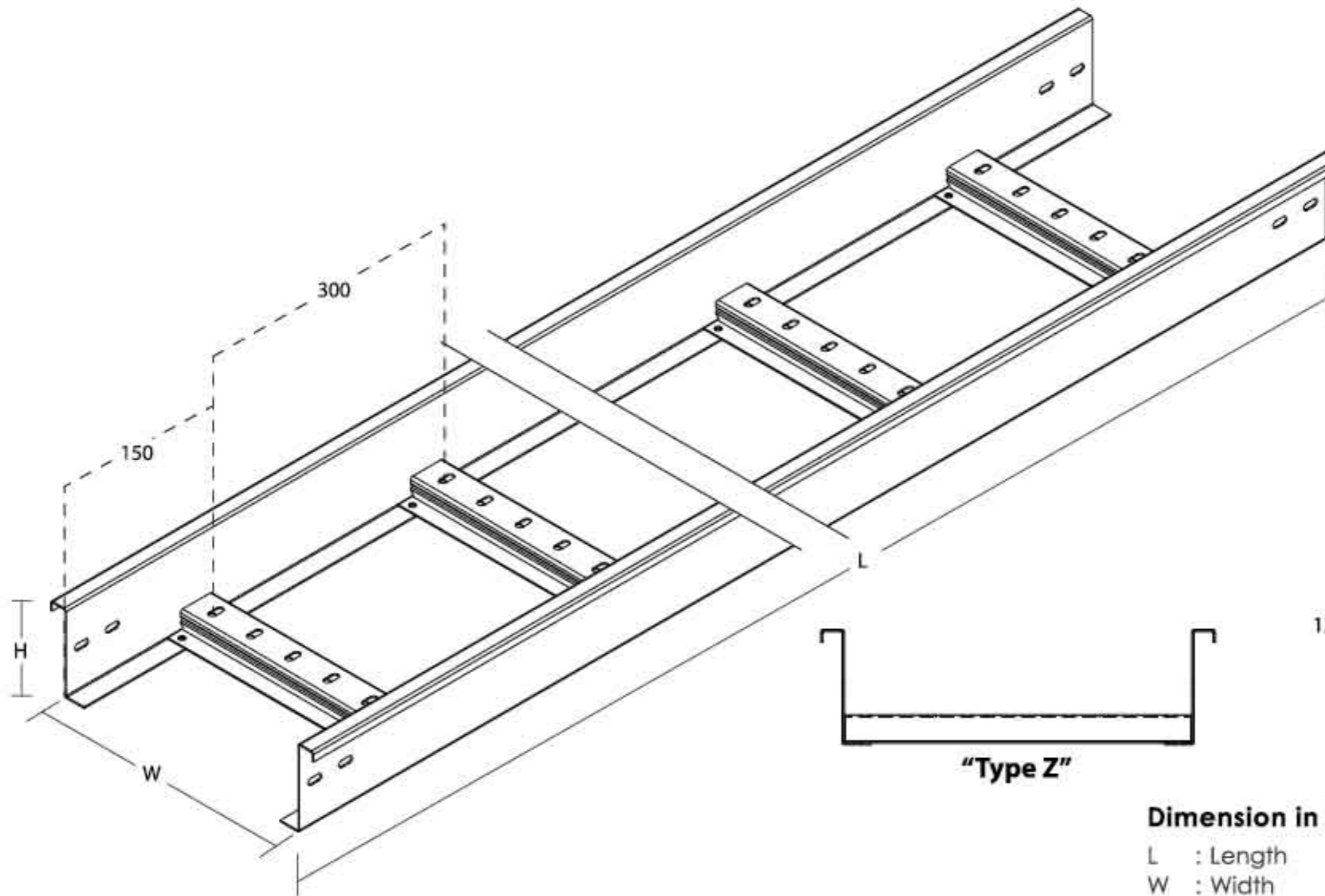


Cable Ladder System

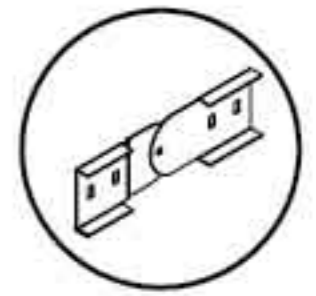
Cable ladder is system component used for cable support consisting of supporting side members, fixed to each other by means of rungs. Cable ladder is typically of stronger built and able to carry more load. The configuration is easy thus less accessories are required. One of the design advantages is it can get cable drops through the rungs and an extra riser is not required. Cable ladder are manufactured according to MS IEC 61537 standard.

Cable Ladder Profile

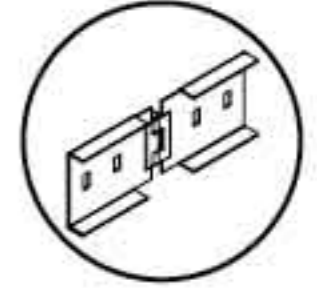




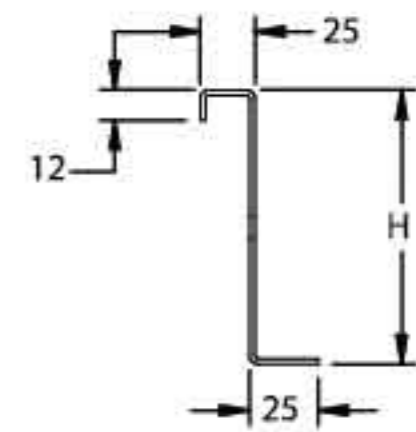
Optional Accessories



Vertical Adjustable Bracket



Horizontal Adjustable Bracket



Dimension in Millimeter (mm)

L : Length
W : Width
H : Height

Cable Ladder "Type Z" - Welded (WD)

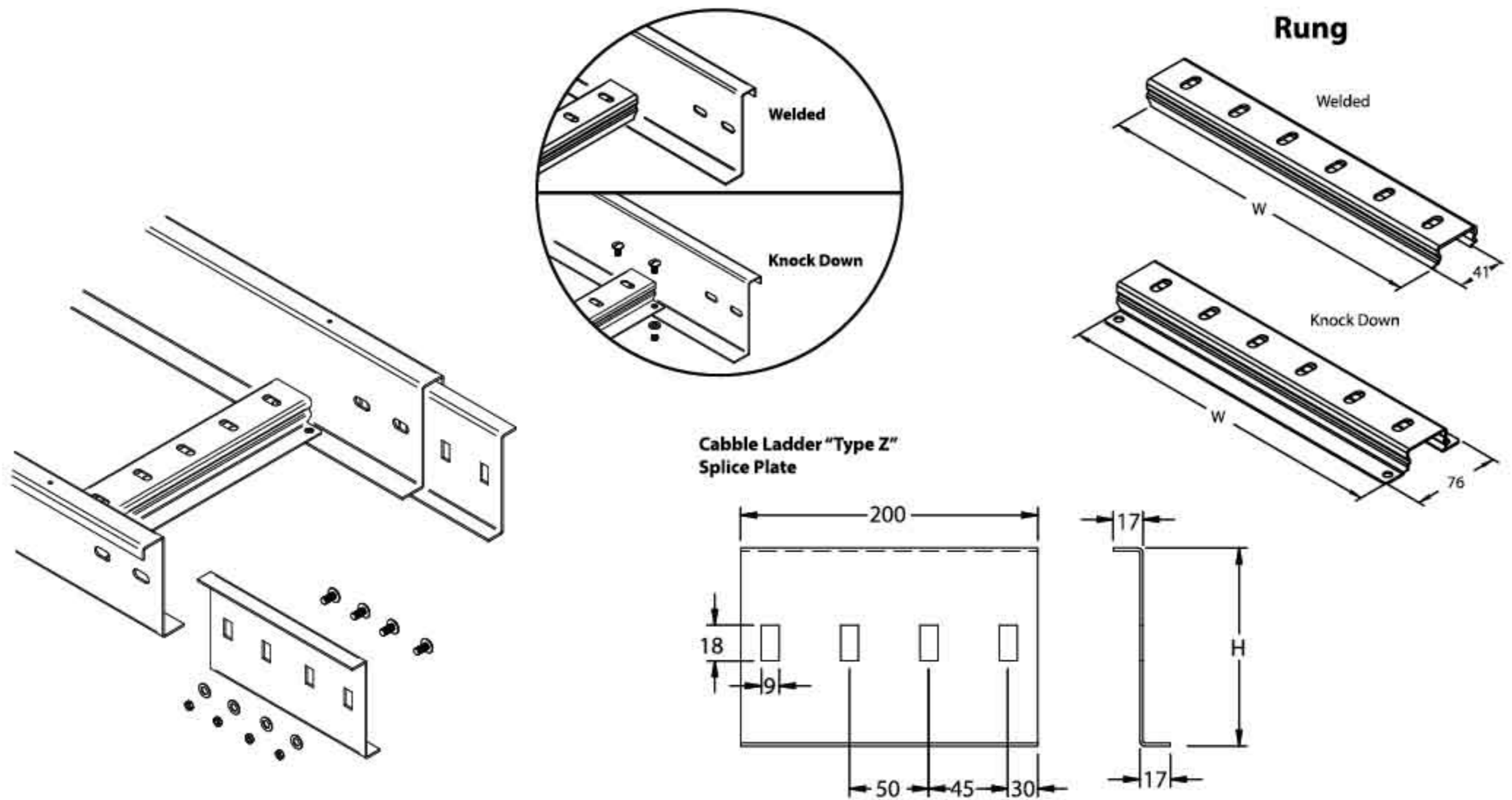
Model	Nominal Size (mm)		
	Body (LxWxH)	Splice Plate (H)	Thickness
SCL/Z-(150X50)-WD	2438 / 3000 x 150 x 50	49	2
SCL/Z-(200X50)-WD	2438 / 3000 x 200 x 50	49	2
SCL/Z-(250X50)-WD	2438 / 3000 x 250 x 50	49	2
SCL/Z-(300X50)-WD	2438 / 3000 x 300 x 50	49	2
SCL/Z-(150X75)-WD	2438 / 3000 x 150 x 75	74	2
SCL/Z-(200X75)-WD	2438 / 3000 x 200 x 75	74	2
SCL/Z-(250X75)-WD	2438 / 3000 x 250 x 75	74	2
SCL/Z-(300X75)-WD	2438 / 3000 x 300 x 75	74	2
SCL/Z-(450X75)-WD	2438 / 3000 x 450 x 75	74	2
SCL/Z-(600X75)-WD	2438 / 3000 x 600 x 75	74	2
SCL/Z-(900X75)-WD	2438 / 3000 x 900 x 75	74	2
SCL/Z-(150X100)-WD	2438 / 3000 x 150 x 100	99	2
SCL/Z-(200X100)-WD	2438 / 3000 x 200 x 100	99	2
SCL/Z-(250X100)-WD	2438 / 3000 x 250 x 100	99	2
SCL/Z-(300X100)-WD	2438 / 3000 x 300 x 100	99	2
SCL/Z-(400X100)-WD	2438 / 3000 x 400 x 100	99	2
SCL/Z-(450X100)-WD	2438 / 3000 x 450 x 100	99	2
SCL/Z-(500X100)-WD	2438 / 3000 x 500 x 100	99	2
SCL/Z-(600X100)-WD	2438 / 3000 x 600 x 100	99	2
SCL/Z-(750X100)-WD	2438 / 3000 x 750 x 100	99	2
SCL/Z-(900X100)-WD	2438 / 3000 x 900 x 100	99	2
SCL/Z-(1000X100)-WD	2438 / 3000 x 1000 x 100	99	2
SCL/Z-(200X125)-WD	2438 / 3000 x 200 x 125	124	2
SCL/Z-(250X125)-WD	2438 / 3000 x 250 x 125	124	2
SCL/Z-(300X125)-WD	2438 / 3000 x 300 x 125	124	2
SCL/Z-(400X125)-WD	2438 / 3000 x 400 x 125	124	2
SCL/Z-(450X125)-WD	2438 / 3000 x 450 x 125	124	2
SCL/Z-(500X125)-WD	2438 / 3000 x 500 x 125	124	2
SCL/Z-(600X125)-WD	2438 / 3000 x 600 x 125	124	2
SCL/Z-(750X125)-WD	2438 / 3000 x 750 x 125	124	2
SCL/Z-(900X125)-WD	2438 / 3000 x 900 x 125	124	2
SCL/Z-(1000X125)-WD	2438 / 3000 x 1000 x 125	124	2
SCL/Z-(200X150)-WD	2438 / 3000 x 200 x 150	149	2
SCL/Z-(250X150)-WD	2438 / 3000 x 250 x 150	149	2
SCL/Z-(300X150)-WD	2438 / 3000 x 300 x 150	149	2
SCL/Z-(400X150)-WD	2438 / 3000 x 400 x 150	149	2
SCL/Z-(450X150)-WD	2438 / 3000 x 450 x 150	149	2
SCL/Z-(500X150)-WD	2438 / 3000 x 500 x 150	149	2
SCL/Z-(600X150)-WD	2438 / 3000 x 600 x 150	149	2
SCL/Z-(750X150)-WD	2438 / 3000 x 750 x 150	149	2
SCL/Z-(900X150)-WD	2438 / 3000 x 900 x 150	149	2
SCL/Z-(1000X150)-WD	2438 / 3000 x 1000 x 150	149	2

**Specification subject to change without prior notice.
***Thickness Tolerance with + - 10%

*For order information, please refer page 17.

Cable Ladder System

Cable Ladder Straight "Type Z" (Welded / Knock Down)

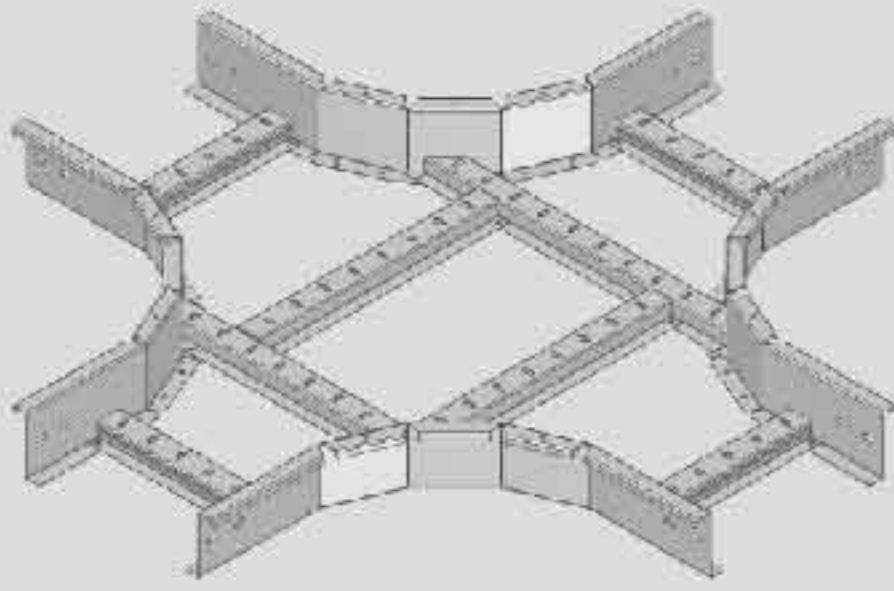


Cable Ladder "Type Z" - Knock Down (KD)

Model	Nominal Size (mm)		
	Body (LxWxH)	Splice Plate (H)	Thickness
SCL/Z-(150X50)-KD	2438 / 3000 x 150 x 50	49	2
SCL/Z-(200X50)-KD	2438 / 3000 x 200 x 50	49	2
SCL/Z-(250X50)-KD	2438 / 3000 x 250 x 50	49	2
SCL/Z-(300X50)-KD	2438 / 3000 x 300 x 50	49	2
SCL/Z-(150X75)-KD	2438 / 3000 x 150 x 75	74	2
SCL/Z-(200X75)-KD	2438 / 3000 x 200 x 75	74	2
SCL/Z-(250X75)-KD	2438 / 3000 x 250 x 75	74	2
SCL/Z-(300X75)-KD	2438 / 3000 x 300 x 75	74	2
SCL/Z-(450X75)-KD	2438 / 3000 x 450 x 75	74	2
SCL/Z-(600X75)-KD	2438 / 3000 x 600 x 75	74	2
SCL/Z-(900X75)-KD	2438 / 3000 x 900 x 75	74	2
SCL/Z-(150X100)-KD	2438 / 3000 x 150 x 100	99	2
SCL/Z-(200X100)-KD	2438 / 3000 x 200 x 100	99	2
SCL/Z-(250X100)-KD	2438 / 3000 x 250 x 100	99	2
SCL/Z-(300X100)-KD	2438 / 3000 x 300 x 100	99	2
SCL/Z-(400X100)-KD	2438 / 3000 x 400 x 100	99	2
SCL/Z-(450X100)-KD	2438 / 3000 x 450 x 100	99	2
SCL/Z-(500X100)-KD	2438 / 3000 x 500 x 100	99	2
SCL/Z-(600X100)-KD	2438 / 3000 x 600 x 100	99	2
SCL/Z-(750X100)-KD	2438 / 3000 x 750 x 100	99	2
SCL/Z-(900X100)-KD	2438 / 3000 x 900 x 100	99	2
SCL/Z-(1000X100)-KD	2438 / 3000 x 1000 x 100	99	2
SCL/Z-(200X125)-KD	2438 / 3000 x 200 x 125	124	2
SCL/Z-(250X125)-KD	2438 / 3000 x 250 x 125	124	2
SCL/Z-(300X125)-KD	2438 / 3000 x 300 x 125	124	2
SCL/Z-(400X125)-KD	2438 / 3000 x 400 x 125	124	2
SCL/Z-(450X125)-KD	2438 / 3000 x 450 x 125	124	2
SCL/Z-(500X125)-KD	2438 / 3000 x 500 x 125	124	2
SCL/Z-(600X125)-KD	2438 / 3000 x 600 x 125	124	2
SCL/Z-(750X125)-KD	2438 / 3000 x 750 x 125	124	2
SCL/Z-(900X125)-KD	2438 / 3000 x 900 x 125	124	2
SCL/Z-(1000X125)-KD	2438 / 3000 x 1000 x 125	124	2
SCL/Z-(200X150)-KD	2438 / 3000 x 200 x 150	149	2
SCL/Z-(250X150)-KD	2438 / 3000 x 250 x 150	149	2
SCL/Z-(300X150)-KD	2438 / 3000 x 300 x 150	149	2
SCL/Z-(400X150)-KD	2438 / 3000 x 400 x 150	149	2
SCL/Z-(450X150)-KD	2438 / 3000 x 450 x 150	149	2
SCL/Z-(500X150)-KD	2438 / 3000 x 500 x 150	149	2
SCL/Z-(600X150)-KD	2438 / 3000 x 600 x 150	149	2
SCL/Z-(750X150)-KD	2438 / 3000 x 750 x 150	149	2
SCL/Z-(900X150)-KD	2438 / 3000 x 900 x 150	149	2
SCL/Z-(1000X150)-KD	2438 / 3000 x 1000 x 150	149	2

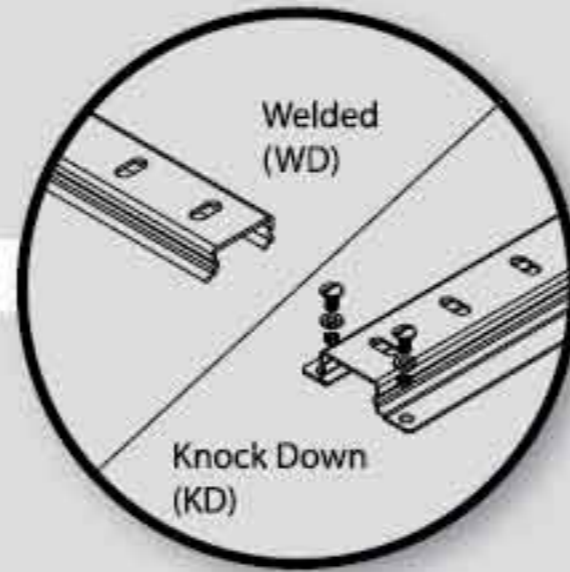
**Specification subject to change without prior notice.
 ***Thickness Tolerance with + - 10%

*For order information, please refer page 17.



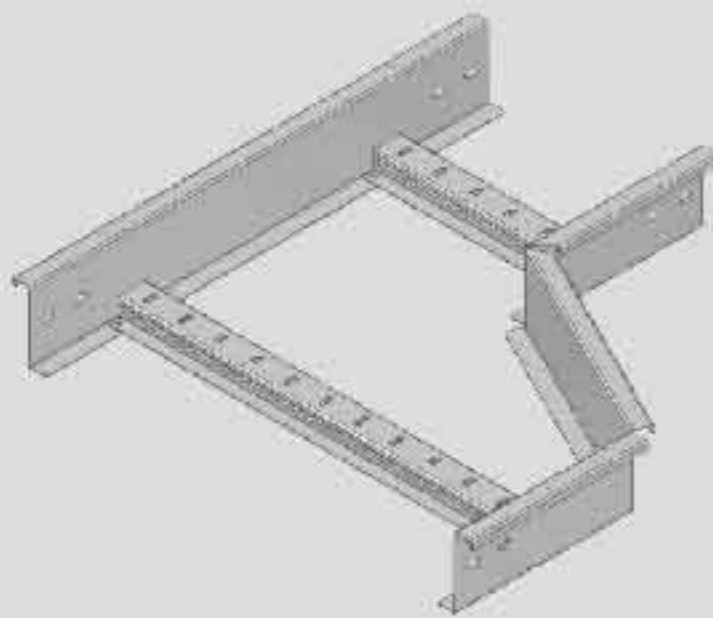
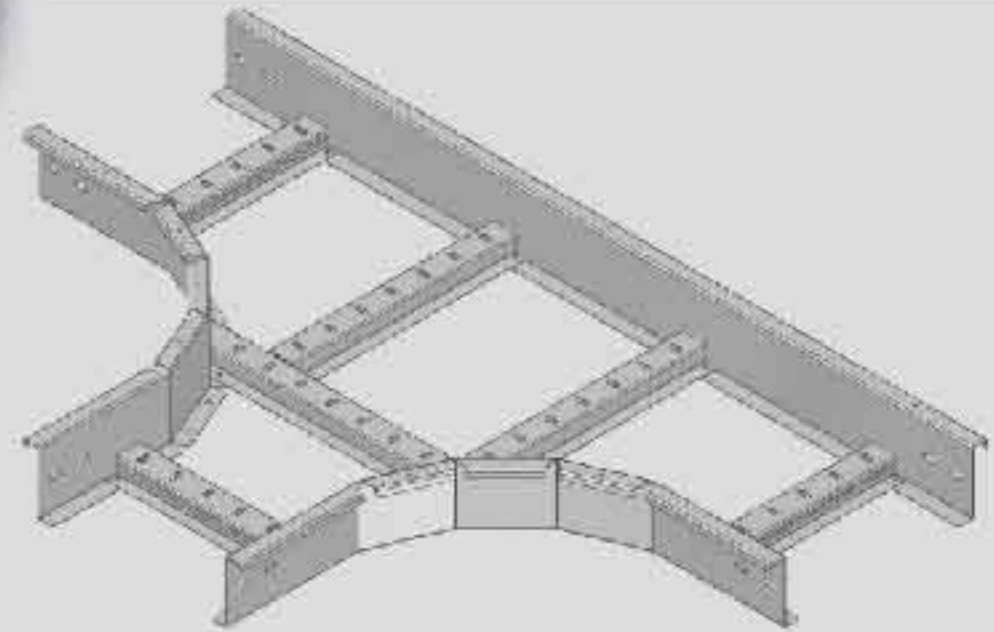
◀ **Flatwise Cross**

SCL/Z/WD AC-1
SCL/Z/KD AC-1



Flatwise Tee ▶

SCL/Z/WD AC-2
SCL/Z/KD AC-2

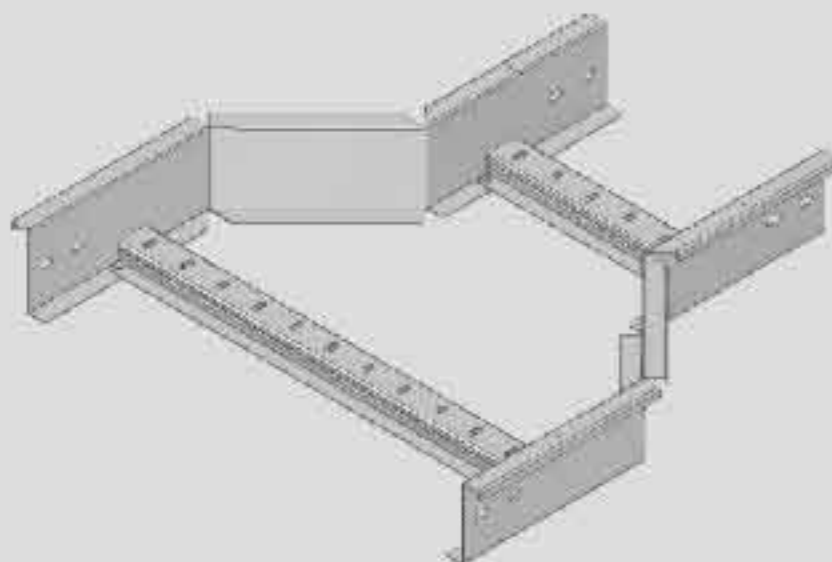
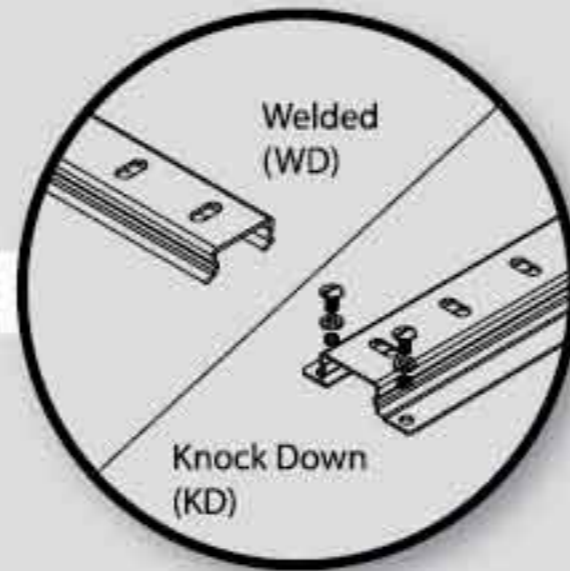
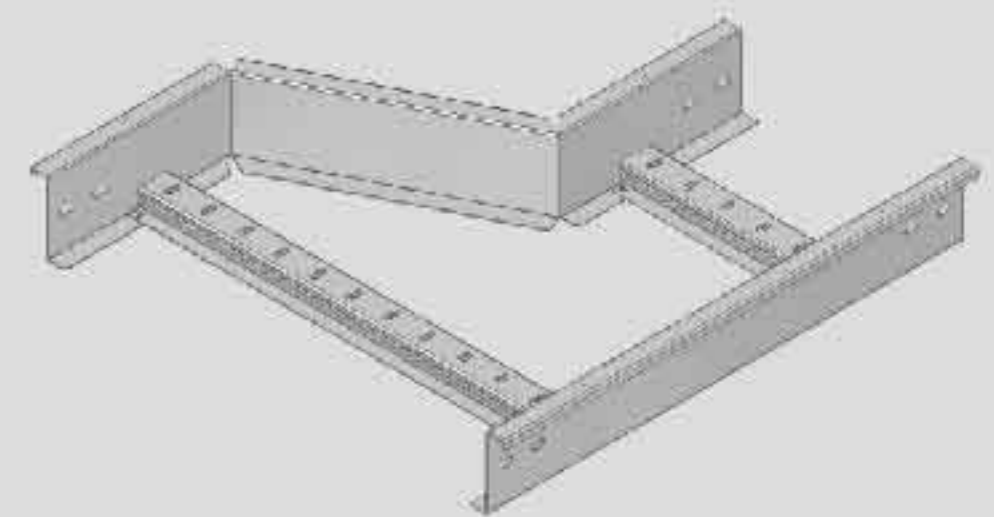


◀ **Righthand Reducer**

SCL/Z/WD AC-3
SCL/Z/KD AC-3

Lefthand Reducer ▶

SCL/Z/WD AC-4
SCL/Z/KD AC-4



◀ **Straight Reducer**

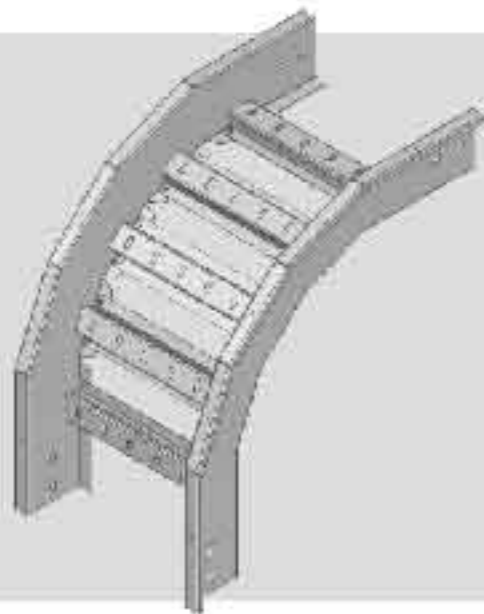
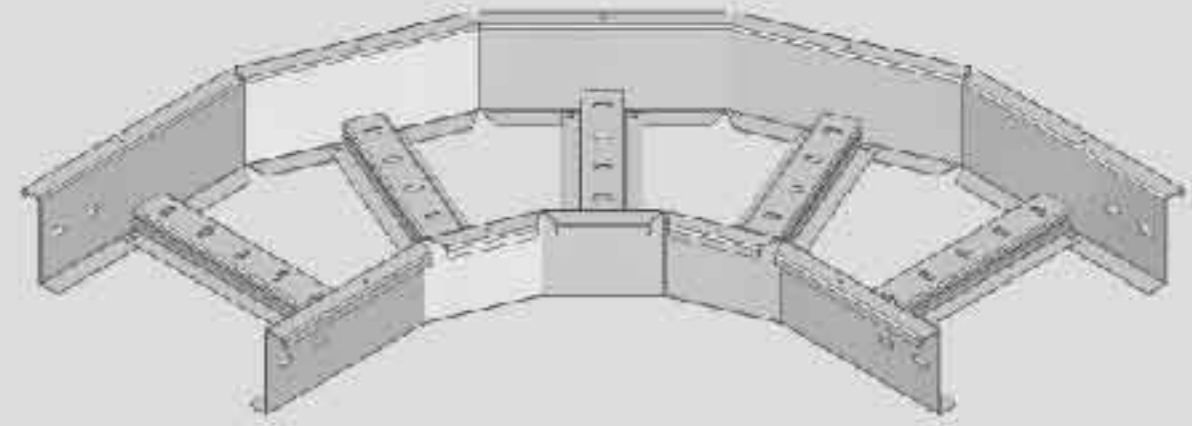
SCL/Z/WD AC-5
SCL/Z/KD AC-5

**Other design and sizes are available upon request.

"Type Z" - WD/KD 

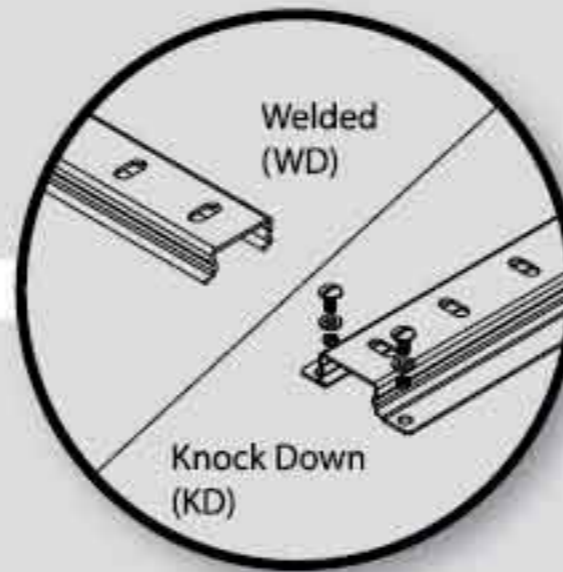
Flatwise Elbow ▶

SCL/Z/WD AC-6
SCL/Z/KD AC-6



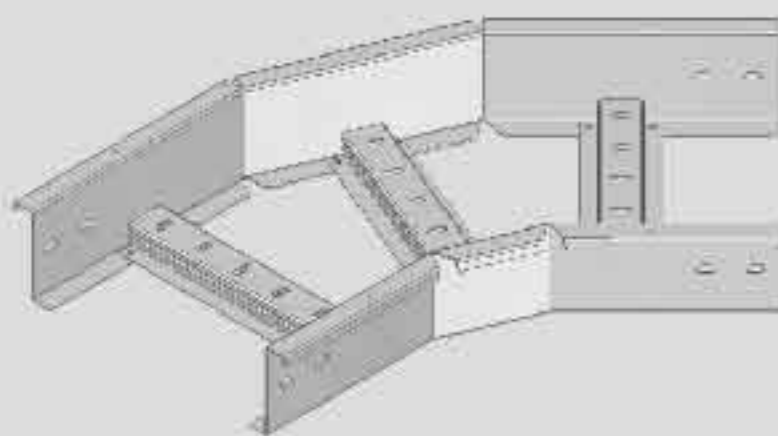
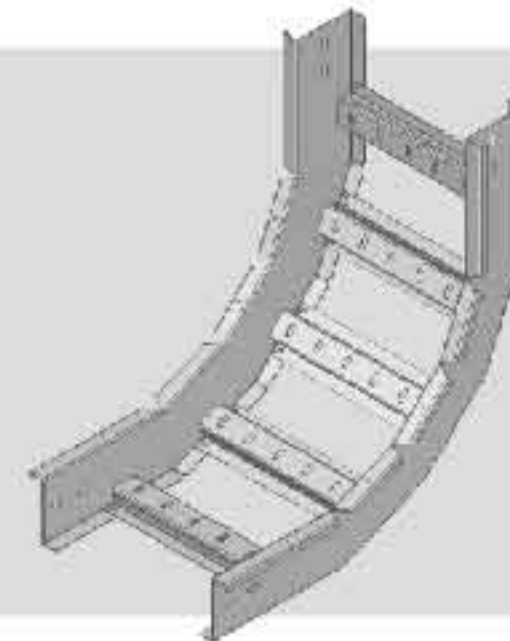
◀ Edgewise Elbow Left

SCL/Z/WD AC-7
SCL/Z/KD AC-7



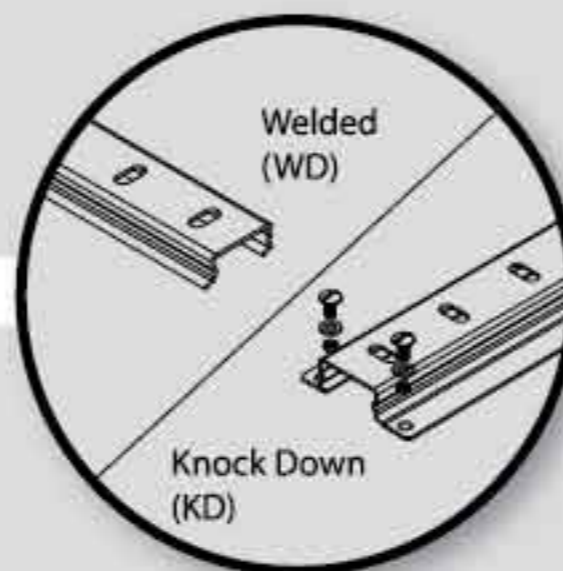
Edgewise Elbow Right ▶

SCL/Z/WD AC-8
SCL/Z/KD AC-8



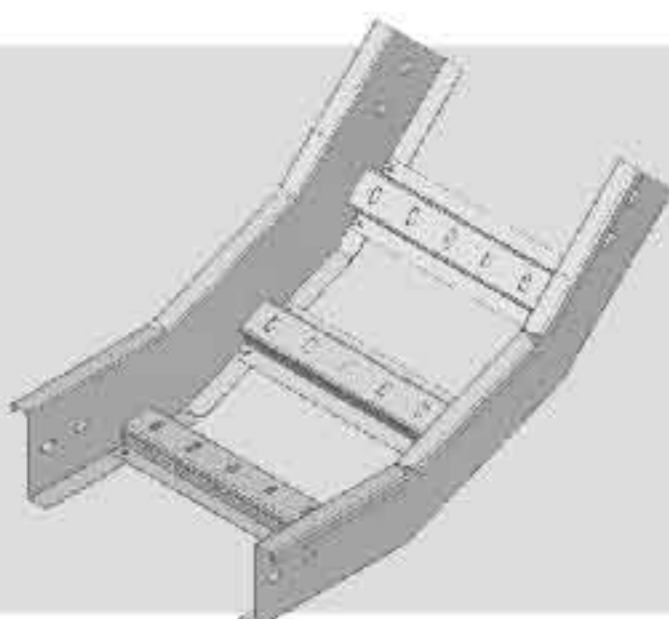
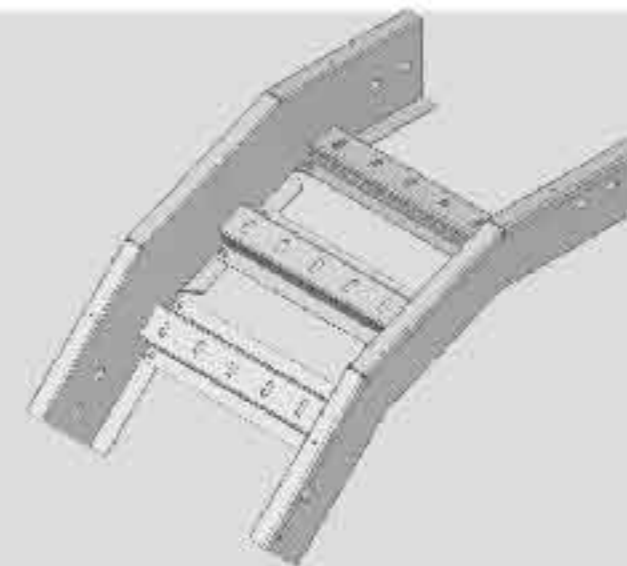
◀ Elbow Front

SCL/Z/WD AC-9
SCL/Z/KD AC-9



Elbow Top ▶

SCL/Z/WD AC-10
SCL/Z/KD AC-10

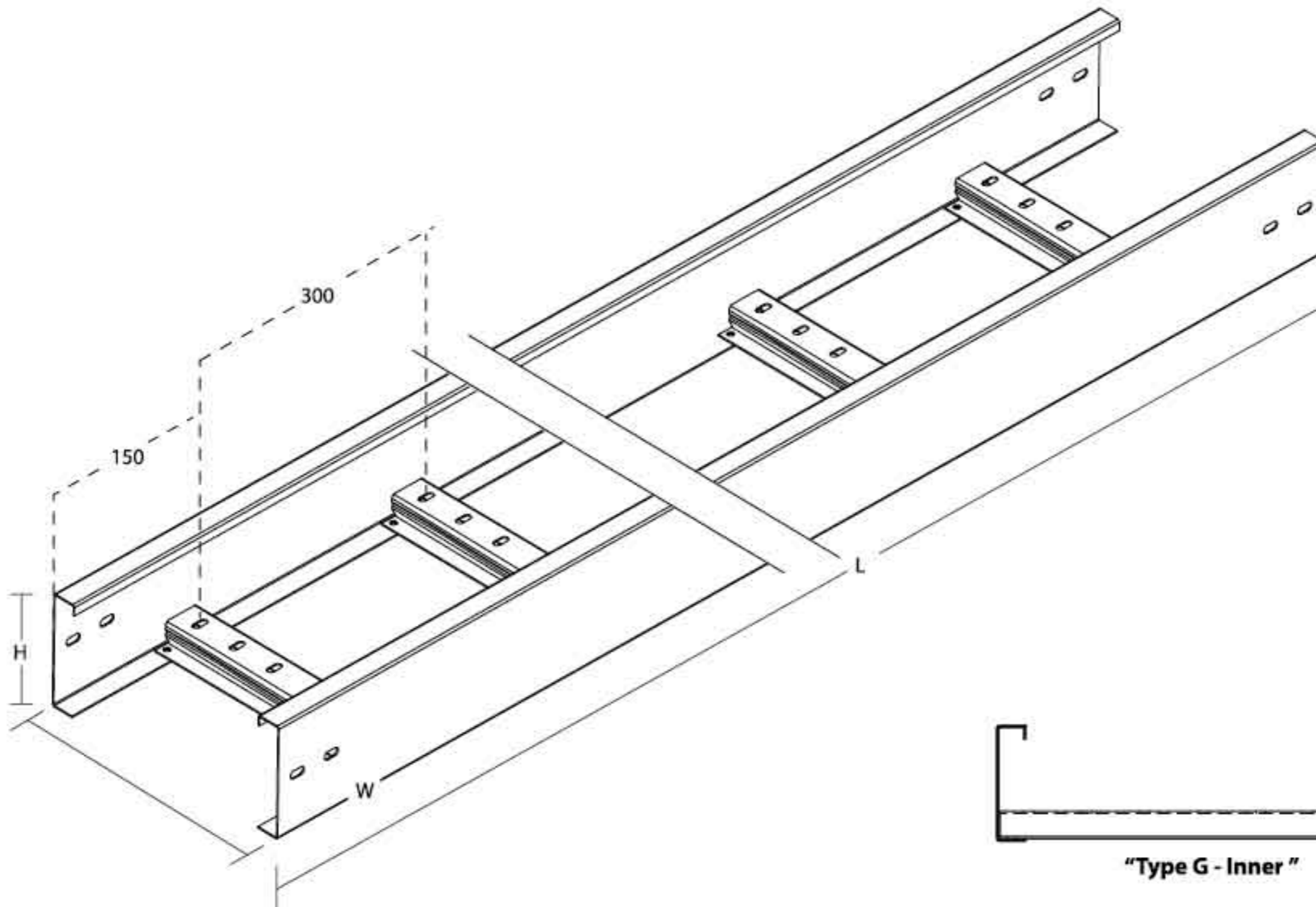


◀ Elbow Bottom

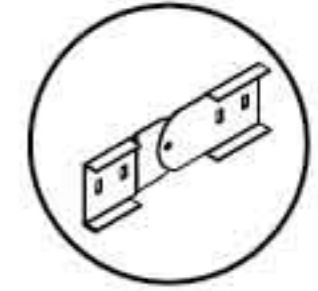
SCL/Z/WD AC-11
SCL/Z/KD AC-11

**Other design and sizes are available upon request.

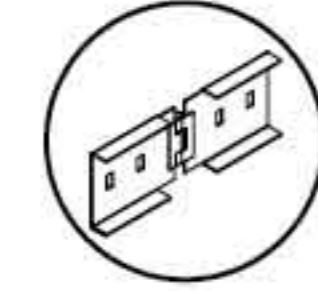
"Type Z" - WD/KD



Optional Accessories



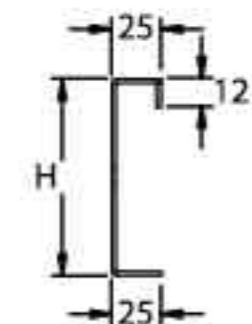
Vertical Adjustable Bracket



Horizontal Adjustable Bracket



"Type G - Inner"



Cable Ladder "Type G - Inner" - Welded (WD)

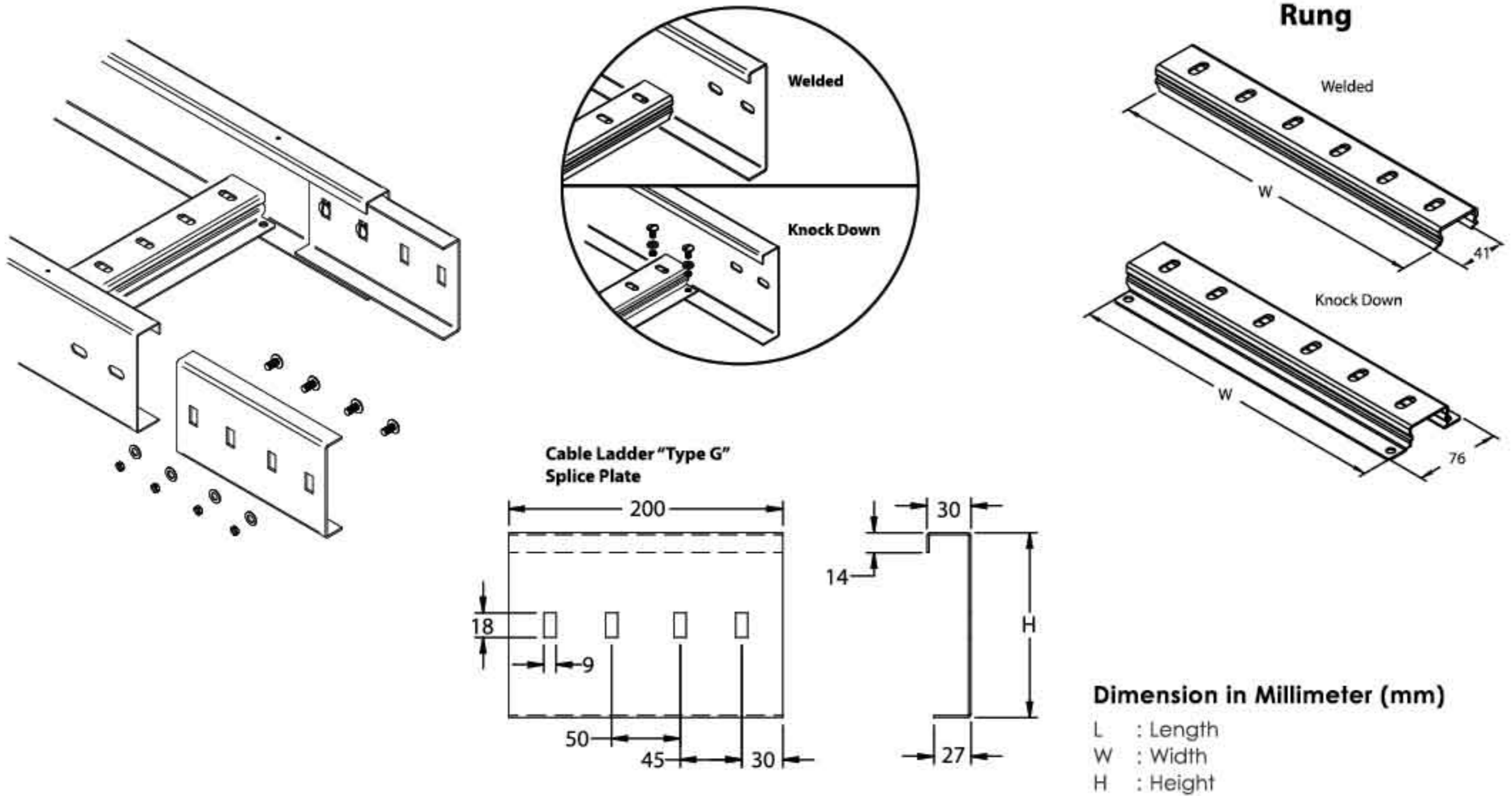
Model	Nominal Size (mm)		
	Body (LxWxH)	Splice Plate (H)	Thickness
SCL/G/I-(150X50)-WD	2438 / 3000 x 150 x 50	45	2
SCL/G/I-(200X50)-WD	2438 / 3000 x 200 x 50	45	2
SCL/G/I-(250X50)-WD	2438 / 3000 x 250 x 50	45	2
SCL/G/I-(300X50)-WD	2438 / 3000 x 300 x 50	45	2
SCL/G/I-(150X75)-WD	2438 / 3000 x 150 x 75	70	2
SCL/G/I-(200X75)-WD	2438 / 3000 x 200 x 75	70	2
SCL/G/I-(250X75)-WD	2438 / 3000 x 250 x 75	70	2
SCL/G/I-(300X75)-WD	2438 / 3000 x 300 x 75	70	2
SCL/G/I-(450X75)-WD	2438 / 3000 x 450 x 75	70	2
SCL/G/I-(600X75)-WD	2438 / 3000 x 600 x 75	70	2
SCL/G/I-(900X75)-WD	2438 / 3000 x 900 x 75	70	2
SCL/G/I-(150X100)-WD	2438 / 3000 x 150 x 100	95	2
SCL/G/I-(200X100)-WD	2438 / 3000 x 200 x 100	95	2
SCL/G/I-(250X100)-WD	2438 / 3000 x 250 x 100	95	2
SCL/G/I-(300X100)-WD	2438 / 3000 x 300 x 100	95	2
SCL/G/I-(400X100)-WD	2438 / 3000 x 400 x 100	95	2
SCL/G/I-(450X100)-WD	2438 / 3000 x 450 x 100	95	2
SCL/G/I-(500X100)-WD	2438 / 3000 x 500 x 100	95	2
SCL/G/I-(600X100)-WD	2438 / 3000 x 600 x 100	95	2
SCL/G/I-(750X100)-WD	2438 / 3000 x 750 x 100	95	2
SCL/G/I-(900X100)-WD	2438 / 3000 x 900 x 100	95	2
SCL/G/I-(1000X100)-WD	2438 / 3000 x 1000 x 100	95	2
SCL/G/I-(200X125)-WD	2438 / 3000 x 200 x 125	120	2
SCL/G/I-(250X125)-WD	2438 / 3000 x 250 x 125	120	2
SCL/G/I-(300X125)-WD	2438 / 3000 x 300 x 125	120	2
SCL/G/I-(400X125)-WD	2438 / 3000 x 400 x 125	120	2
SCL/G/I-(450X125)-WD	2438 / 3000 x 450 x 125	120	2
SCL/G/I-(500X125)-WD	2438 / 3000 x 500 x 125	120	2
SCL/G/I-(600X125)-WD	2438 / 3000 x 600 x 125	120	2
SCL/G/I-(750X125)-WD	2438 / 3000 x 750 x 125	120	2
SCL/G/I-(900X125)-WD	2438 / 3000 x 900 x 125	120	2
SCL/G/I-(1000X125)-WD	2438 / 3000 x 1000 x 125	120	2
SCL/G/I-(200X150)-WD	2438 / 3000 x 200 x 150	145	2
SCL/G/I-(250X150)-WD	2438 / 3000 x 250 x 150	145	2
SCL/G/I-(300X150)-WD	2438 / 3000 x 300 x 150	145	2
SCL/G/I-(400X150)-WD	2438 / 3000 x 400 x 150	145	2
SCL/G/I-(450X150)-WD	2438 / 3000 x 450 x 150	145	2
SCL/G/I-(500X150)-WD	2438 / 3000 x 500 x 150	145	2
SCL/G/I-(600X150)-WD	2438 / 3000 x 600 x 150	145	2
SCL/G/I-(750X150)-WD	2438 / 3000 x 750 x 150	145	2
SCL/G/I-(900X150)-WD	2438 / 3000 x 900 x 150	145	2
SCL/G/I-(1000X150)-WD	2438 / 3000 x 1000 x 150	145	2

**Specification subject to change without prior notice.
 ***Thickness Tolerance with + - 10%

*For order information, please refer page 17.

Cable Ladder System

Cable Ladder Straight "Type G - Inner" (Welded / Knock Down)

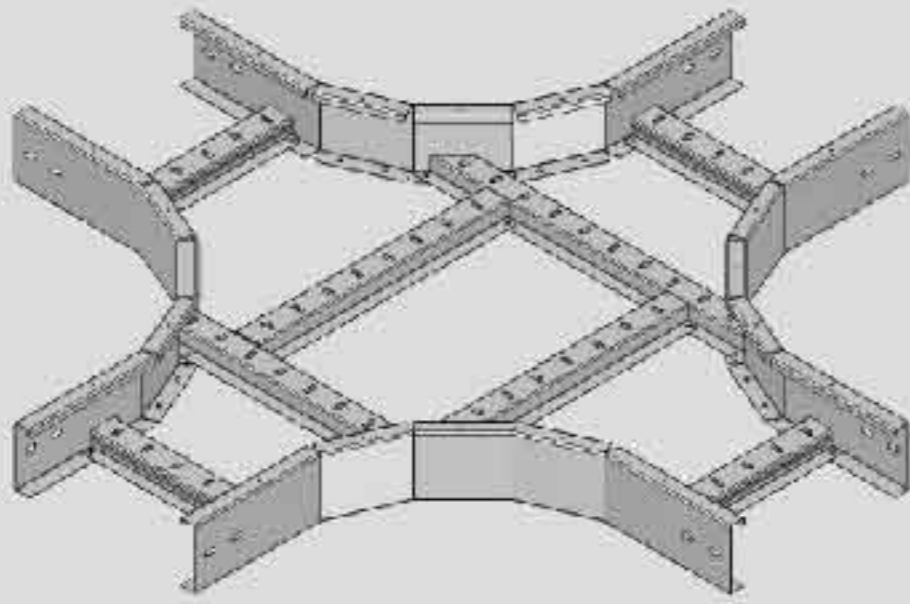


Cable Ladder "Type G - Inner" - Knock Down (KD)

Model	Nominal Size (mm)		
	Body (LxWxH)	Splice Plate (H)	Thickness
SCL/G/I-(150X50)-KD	2438 / 3000 x 150 x 50	45	2
SCL/G/I-(200X50)-KD	2438 / 3000 x 200 x 50	45	2
SCL/G/I-(250X50)-KD	2438 / 3000 x 250 x 50	45	2
SCL/G/I-(300X50)-KD	2438 / 3000 x 300 x 50	45	2
SCL/G/I-(150X75)-KD	2438 / 3000 x 150 x 75	70	2
SCL/G/I-(200X75)-KD	2438 / 3000 x 200 x 75	70	2
SCL/G/I-(250X75)-KD	2438 / 3000 x 250 x 75	70	2
SCL/G/I-(300X75)-KD	2438 / 3000 x 300 x 75	70	2
SCL/G/I-(450X75)-KD	2438 / 3000 x 450 x 75	70	2
SCL/G/I-(600X75)-KD	2438 / 3000 x 600 x 75	70	2
SCL/G/I-(900X75)-KD	2438 / 3000 x 900 x 75	70	2
SCL/G/I-(150X100)-KD	2438 / 3000 x 150 x 100	95	2
SCL/G/I-(200X100)-KD	2438 / 3000 x 200 x 100	95	2
SCL/G/I-(250X100)-KD	2438 / 3000 x 250 x 100	95	2
SCL/G/I-(300X100)-KD	2438 / 3000 x 300 x 100	95	2
SCL/G/I-(400X100)-KD	2438 / 3000 x 400 x 100	95	2
SCL/G/I-(450X100)-KD	2438 / 3000 x 450 x 100	95	2
SCL/G/I-(500X100)-KD	2438 / 3000 x 500 x 100	95	2
SCL/G/I-(600X100)-KD	2438 / 3000 x 600 x 100	95	2
SCL/G/I-(750X100)-KD	2438 / 3000 x 750 x 100	95	2
SCL/G/I-(900X100)-KD	2438 / 3000 x 900 x 100	95	2
SCL/G/I-(1000X100)-KD	2438 / 3000 x 1000 x 100	95	2
SCL/G/I-(200X125)-KD	2438 / 3000 x 200 x 125	120	2
SCL/G/I-(250X125)-KD	2438 / 3000 x 250 x 125	120	2
SCL/G/I-(300X125)-KD	2438 / 3000 x 300 x 125	120	2
SCL/G/I-(400X125)-KD	2438 / 3000 x 400 x 125	120	2
SCL/G/I-(450X125)-KD	2438 / 3000 x 450 x 125	120	2
SCL/G/I-(500X125)-KD	2438 / 3000 x 500 x 125	120	2
SCL/G/I-(600X125)-KD	2438 / 3000 x 600 x 125	120	2
SCL/G/I-(750X125)-KD	2438 / 3000 x 750 x 125	120	2
SCL/G/I-(900X125)-KD	2438 / 3000 x 900 x 125	120	2
SCL/G/I-(1000X125)-KD	2438 / 3000 x 1000 x 125	120	2
SCL/G/I-(200X150)-KD	2438 / 3000 x 200 x 150	145	2
SCL/G/I-(250X150)-KD	2438 / 3000 x 250 x 150	145	2
SCL/G/I-(300X150)-KD	2438 / 3000 x 300 x 150	145	2
SCL/G/I-(400X150)-KD	2438 / 3000 x 400 x 150	145	2
SCL/G/I-(450X150)-KD	2438 / 3000 x 450 x 150	145	2
SCL/G/I-(500X150)-KD	2438 / 3000 x 500 x 150	145	2
SCL/G/I-(600X150)-KD	2438 / 3000 x 600 x 150	145	2
SCL/G/I-(750X150)-KD	2438 / 3000 x 750 x 150	145	2
SCL/G/I-(900X150)-KD	2438 / 3000 x 900 x 150	145	2
SCL/G/I-(1000X150)-KD	2438 / 3000 x 1000 x 150	145	2

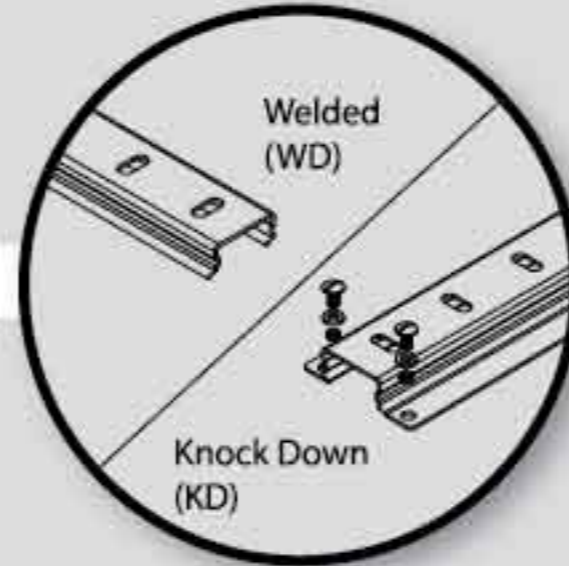
**Specification subject to change without prior notice.
 ***Thickness Tolerance with + - 10%

*For order information, please refer page 17.



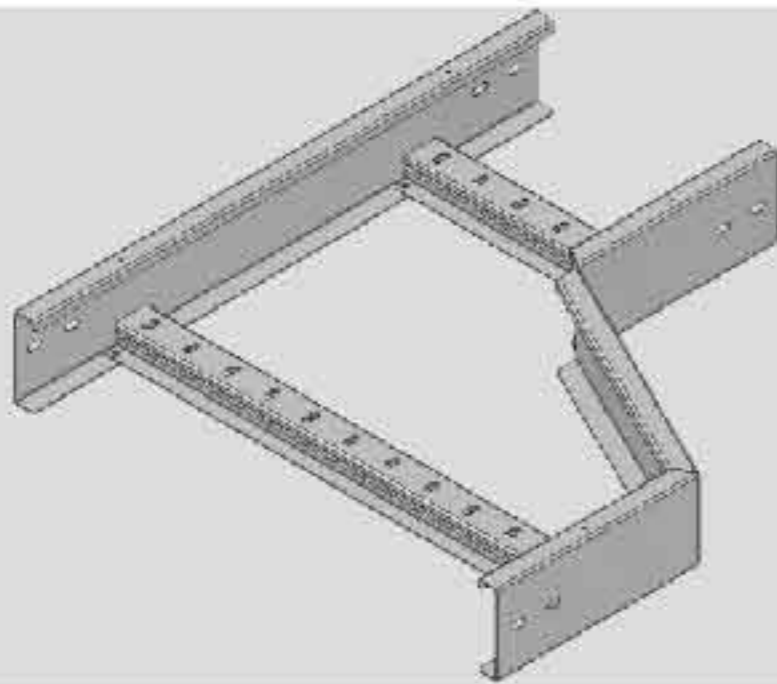
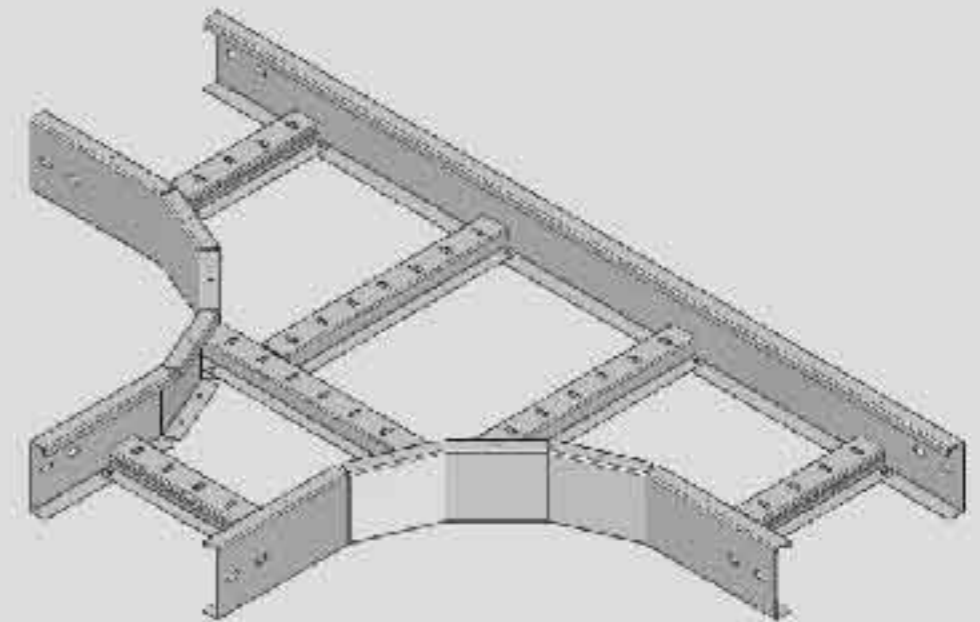
◀ **Flatwise Cross**

SCL/G//WD AC-1
SCL/G//KD AC-1



Flatwise Tee ▶

SCL/G//WD AC-2
SCL/G//KD AC-2

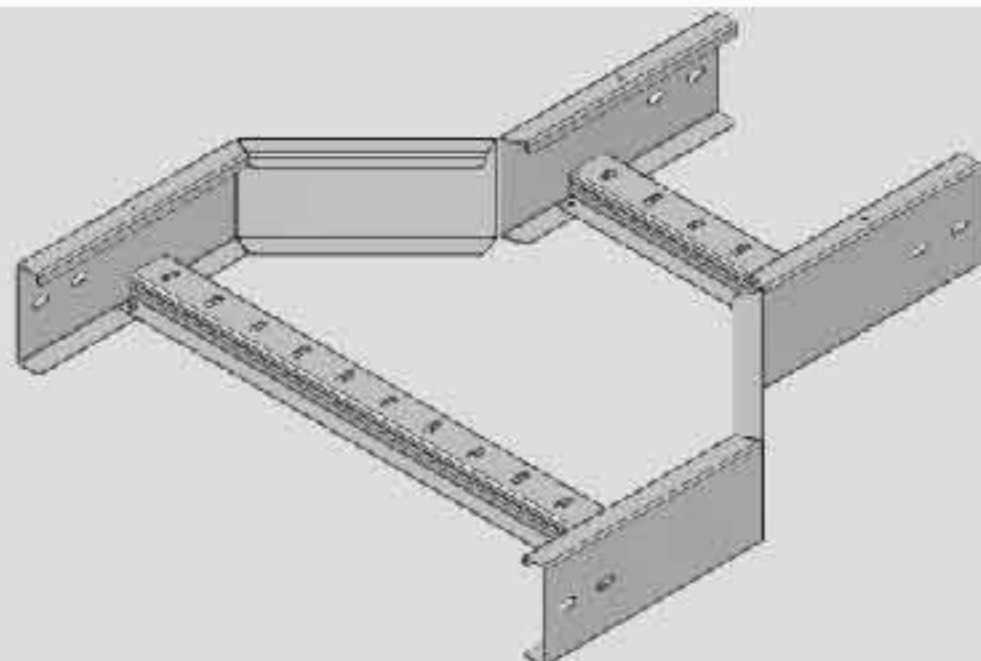
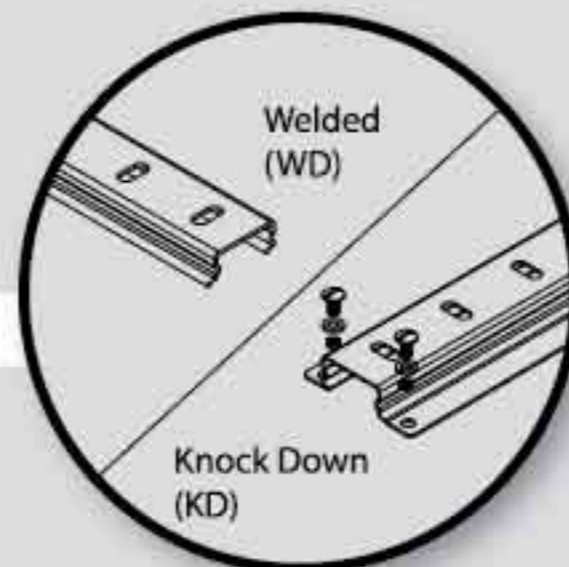
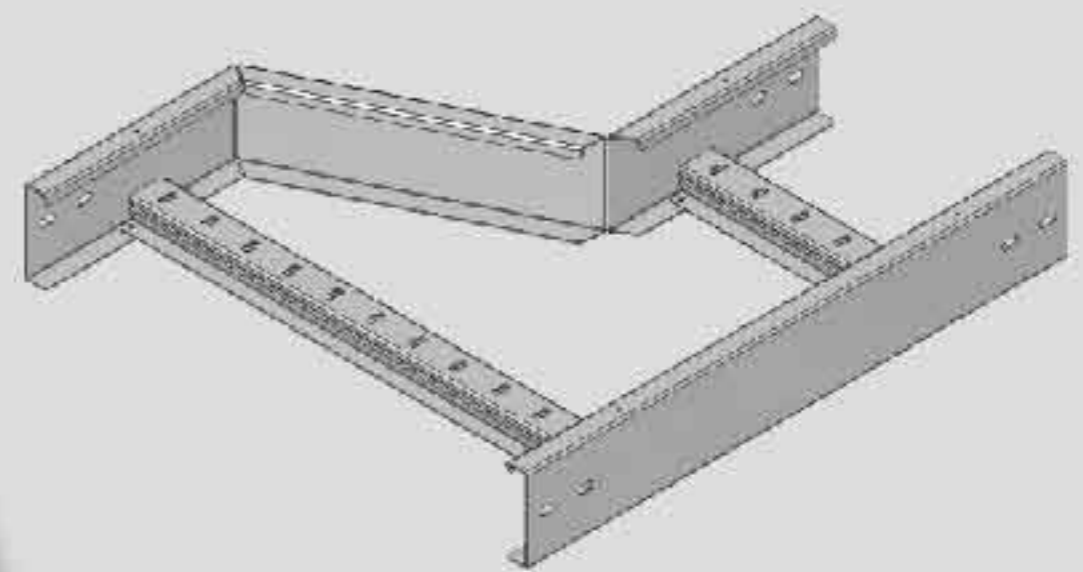


◀ **Righthand Reducer**

SCL/G//WD AC-3
SCL/G//KD AC-3

Lefthand Reducer ▶

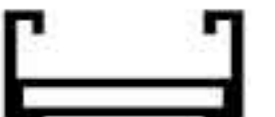
SCL/G//WD AC-4
SCL/G//KD AC-4



◀ **Straight Reducer**

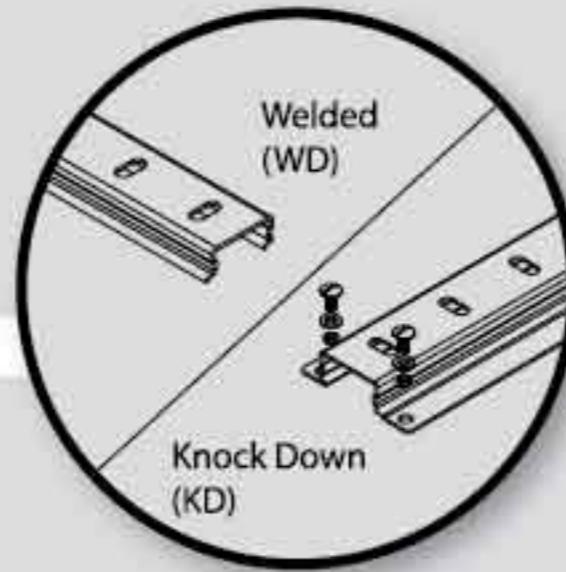
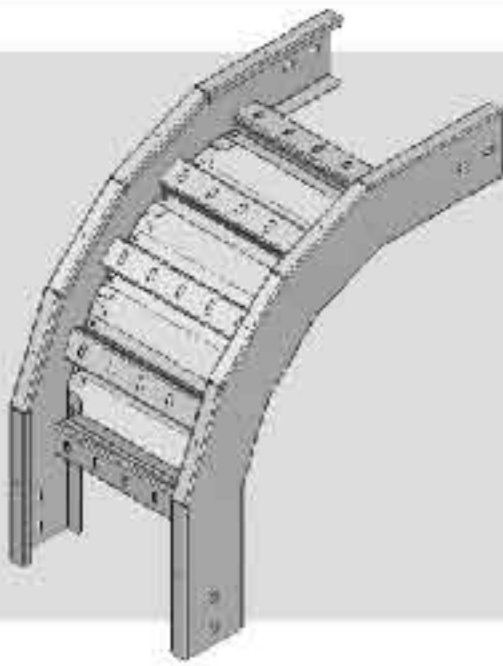
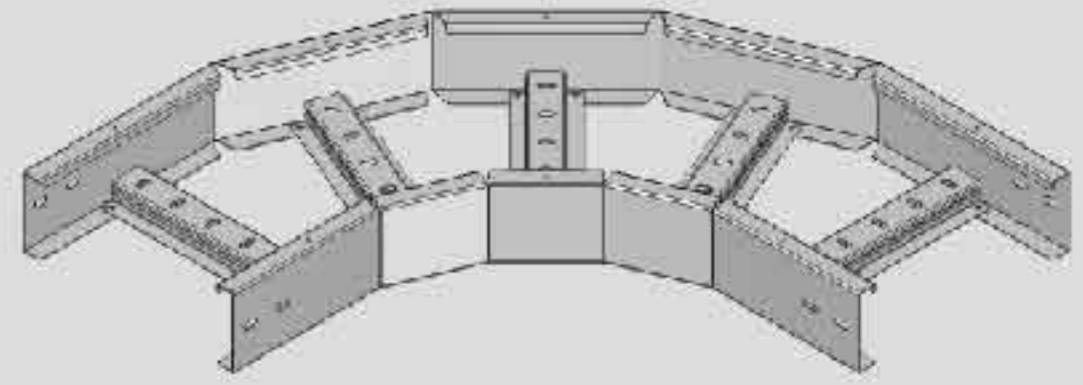
SCL/G//WD AC-5
SCL/G//KD AC-5

**Other design and sizes are available upon request.

"Type G - Inner" - WD/KD 

Flatwise Elbow ▶

SCL/G/I/WD AC-6
SCL/G/I/KD AC-6

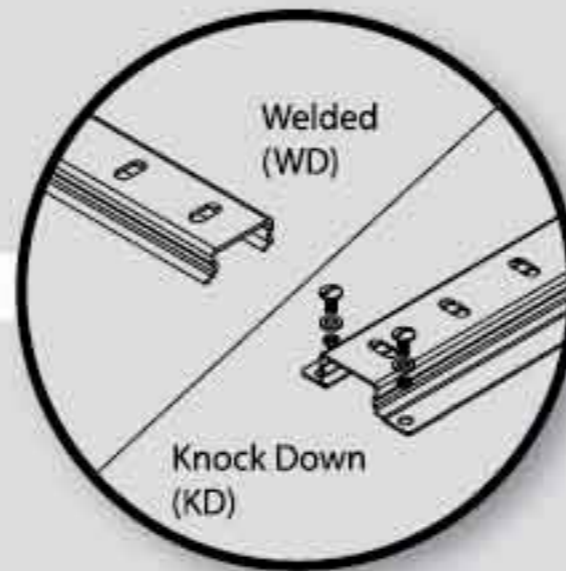
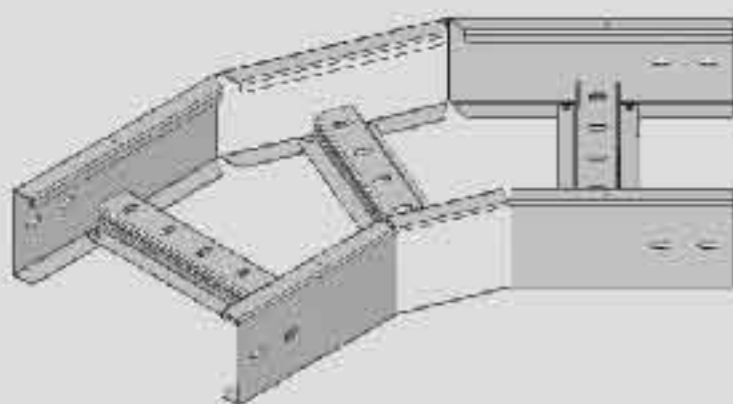
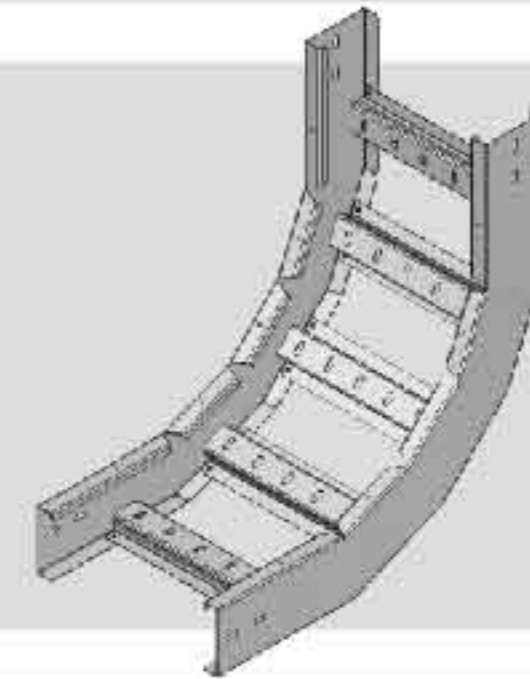


◀ Edgewise Elbow Left

SCL/G/I/WD AC-7
SCL/G/I/KD AC-7

Edgewise Elbow Right ▶

SCL/G/I/WD AC-8
SCL/G/I/KD AC-8

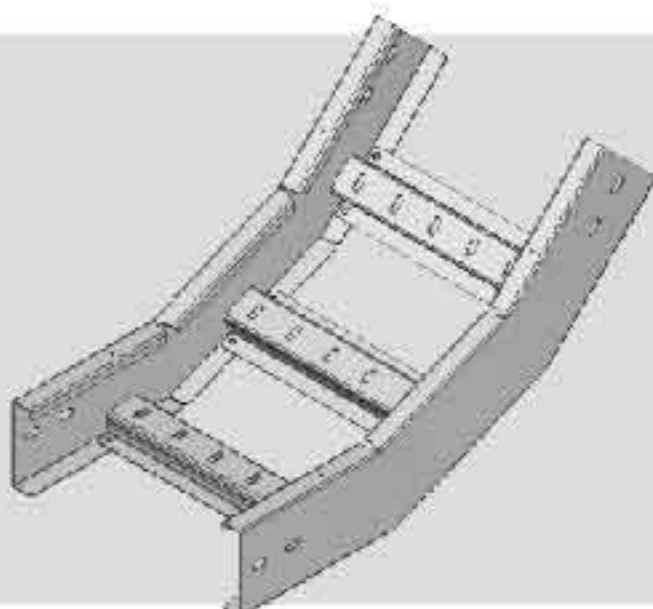
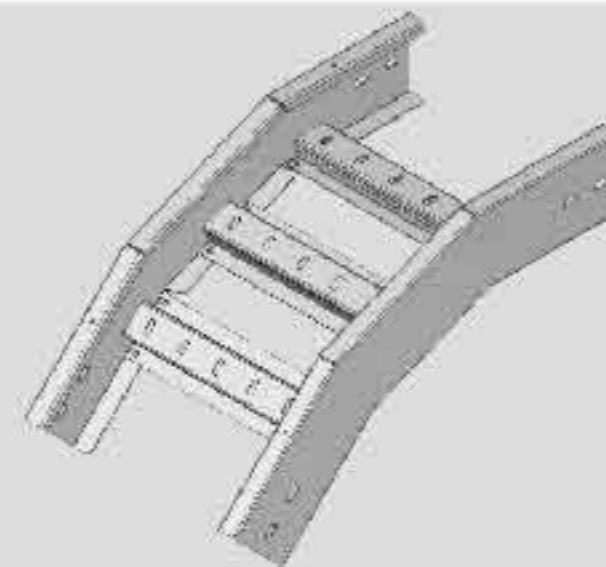


◀ Elbow Front

SCL/G/I/WD AC-9
SCL/G/I/KD AC-9

Elbow Top ▶

SCL/G/I/WD AC-10
SCL/G/I/KD AC-10

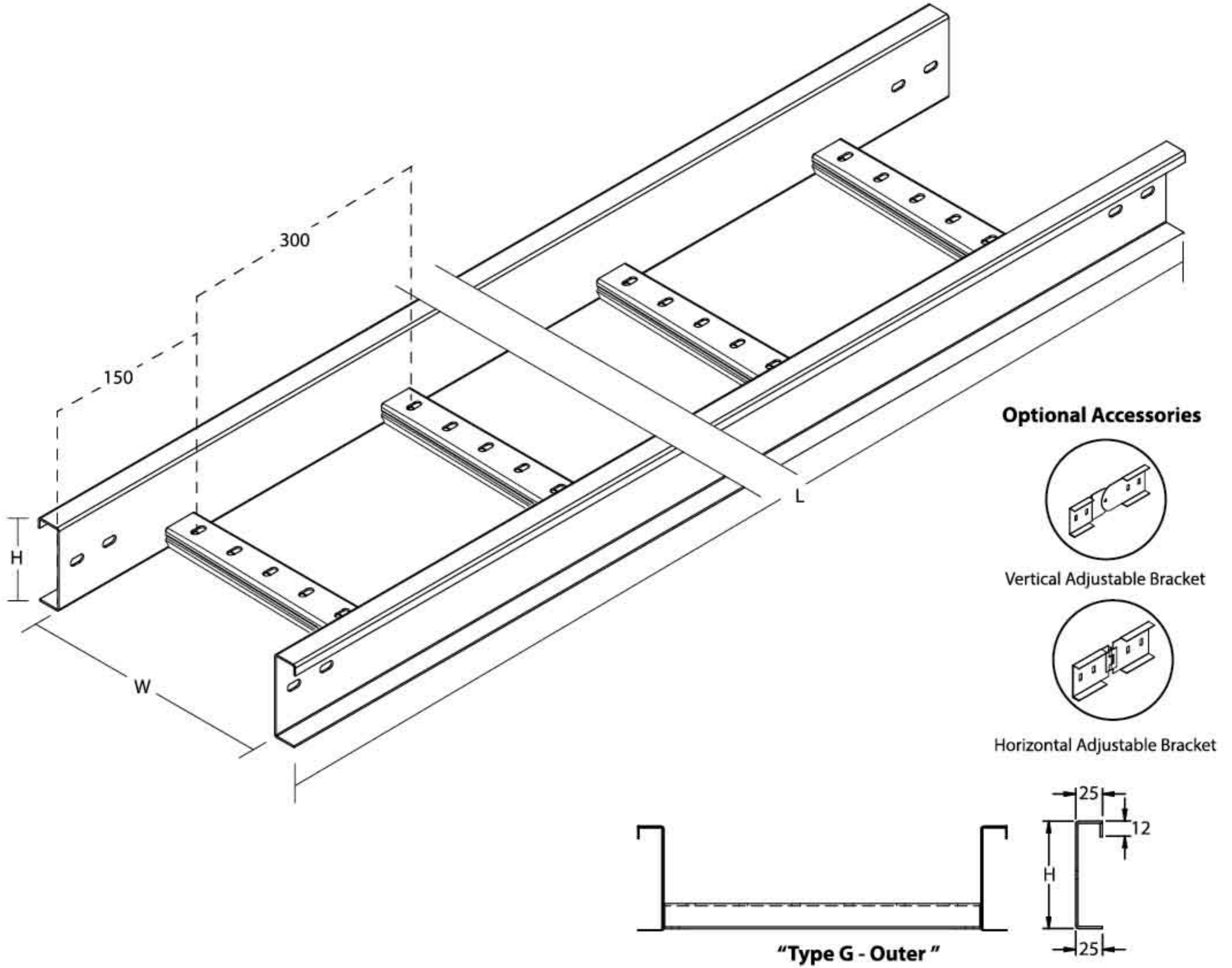


◀ Elbow Bottom

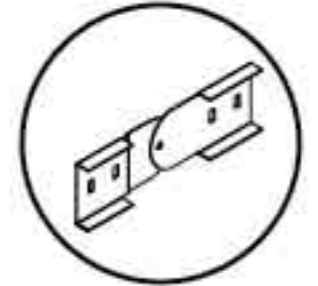
SCL/G/I/WD AC-11
SCL/G/I/KD AC-11

**Other design and sizes are available upon request.

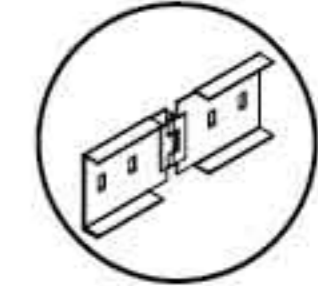
"Type G - Inner" - WD/KD



Optional Accessories



Vertical Adjustable Bracket



Horizontal Adjustable Bracket

Cable Ladder "Type G - Outer" - Welded (WD)

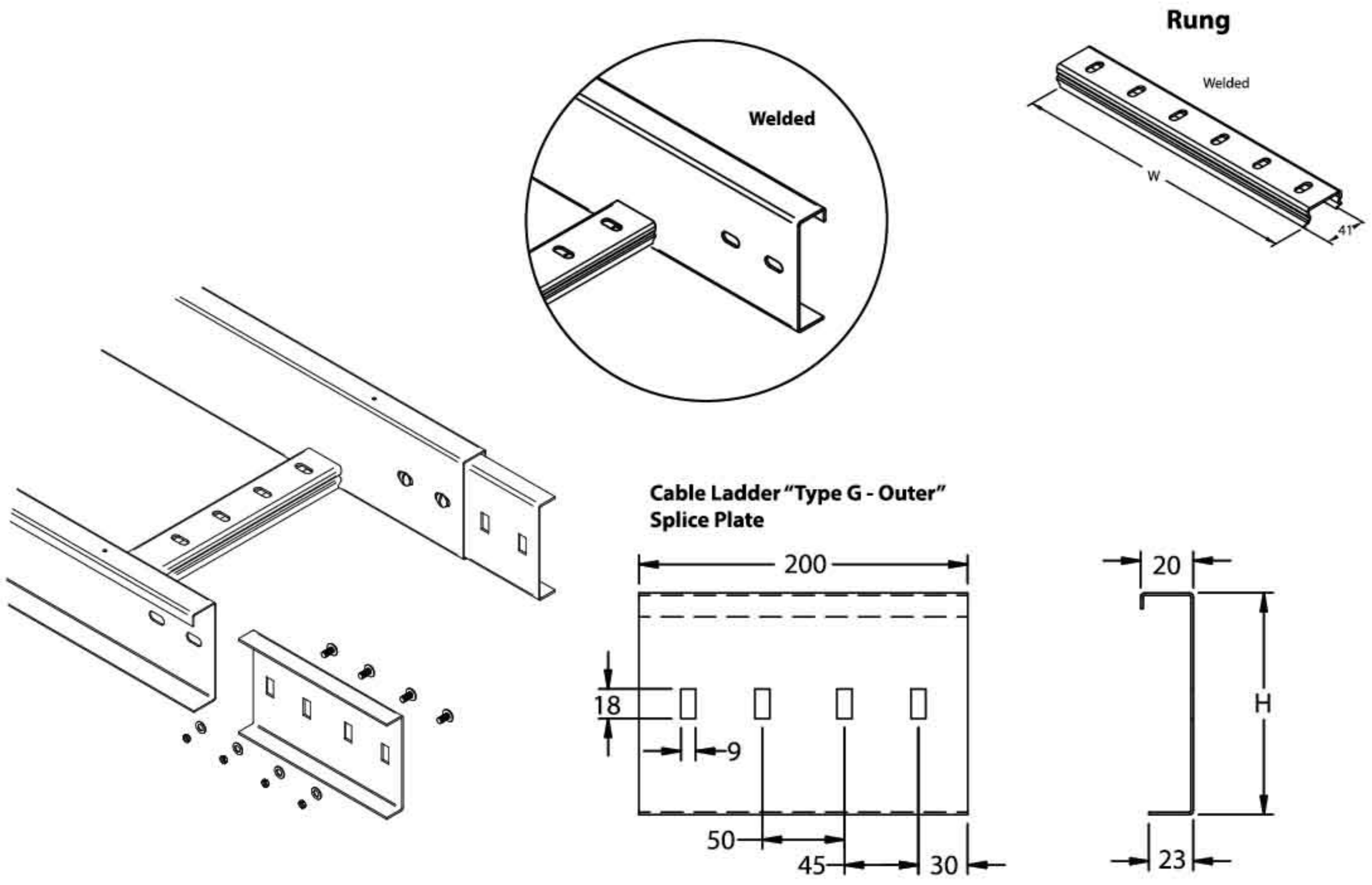
Model	Nominal Size (mm)		
	Body (LxWxH)	Splice Plate (H)	Thickness
SCL/G/O-(150X50)-WD	2438 / 3000 x 150 x 50	45	2
SCL/G/O-(200X50)-WD	2438 / 3000 x 200 x 50	45	2
SCL/G/O-(250X50)-WD	2438 / 3000 x 250 x 50	45	2
SCL/G/O-(300X50)-WD	2438 / 3000 x 300 x 50	45	2
SCL/G/O-(150X75)-WD	2438 / 3000 x 150 x 75	70	2
SCL/G/O-(200X75)-WD	2438 / 3000 x 200 x 75	70	2
SCL/G/O-(250X75)-WD	2438 / 3000 x 250 x 75	70	2
SCL/G/O-(300X75)-WD	2438 / 3000 x 300 x 75	70	2
SCL/G/O-(450X75)-WD	2438 / 3000 x 450 x 75	70	2
SCL/G/O-(600X75)-WD	2438 / 3000 x 600 x 75	70	2
SCL/G/O-(900X75)-WD	2438 / 3000 x 900 x 75	70	2
SCL/G/O-(150X100)-WD	2438 / 3000 x 150 x 100	95	2
SCL/G/O-(200X100)-WD	2438 / 3000 x 200 x 100	95	2
SCL/G/O-(250X100)-WD	2438 / 3000 x 250 x 100	95	2
SCL/G/O-(300X100)-WD	2438 / 3000 x 300 x 100	95	2
SCL/G/O-(400X100)-WD	2438 / 3000 x 400 x 100	95	2
SCL/G/O-(450X100)-WD	2438 / 3000 x 450 x 100	95	2
SCL/G/O-(500X100)-WD	2438 / 3000 x 500 x 100	95	2
SCL/G/O-(600X100)-WD	2438 / 3000 x 600 x 100	95	2
SCL/G/O-(750X100)-WD	2438 / 3000 x 750 x 100	95	2
SCL/G/O-(900X100)-WD	2438 / 3000 x 900 x 100	95	2

**Specification subject to change without prior notice.
 ***Thickness Tolerance with + - 10%

*For order information, please refer page 17.

Cable Ladder System

Cable Ladder Straight "Type G - Outer" (Welded)



Dimension in Millimeter (mm)

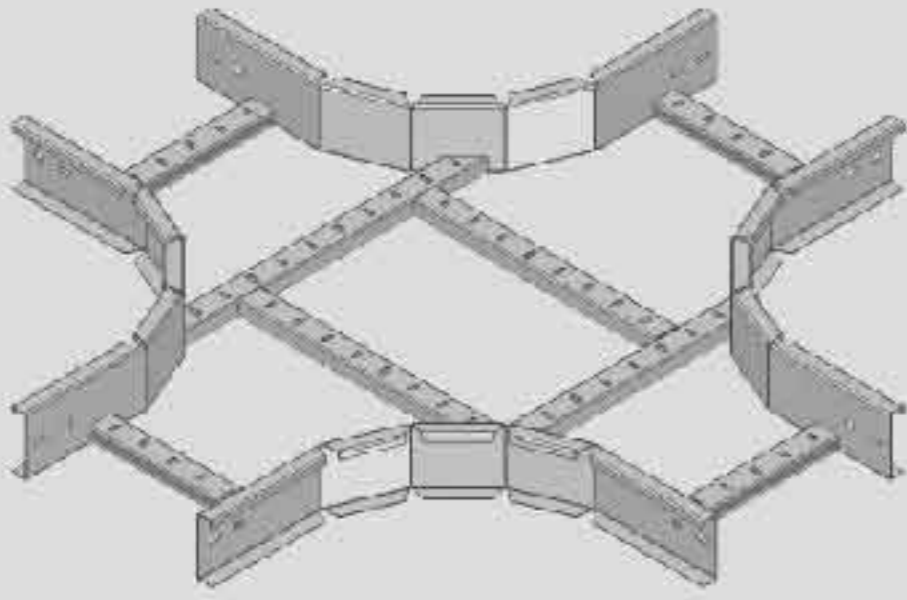
L : Length
W : Width
H : Height

Cable Ladder "Type G - Outer" - Welded (WD)

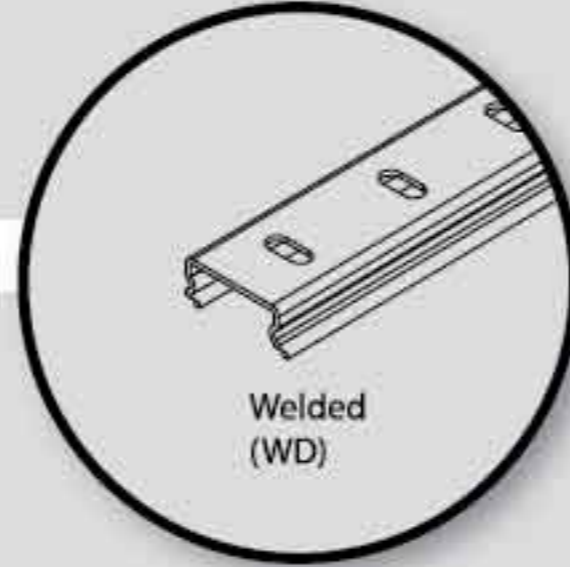
Model	Nominal Size (mm)		
	Body (LxWxH)	Splice Plate (H)	Thickness
SCL/G/O-(1000X100)-WD	2438 / 3000 x 1000 x 100	95	2
SCL/G/O-(200X125)-WD	2438 / 3000 x 200 x 125	120	2
SCL/G/O-(250X125)-WD	2438 / 3000 x 250 x 125	120	2
SCL/G/O-(300X125)-WD	2438 / 3000 x 300 x 125	120	2
SCL/G/O-(400X125)-WD	2438 / 3000 x 400 x 125	120	2
SCL/G/O-(450X125)-WD	2438 / 3000 x 450 x 125	120	2
SCL/G/O-(500X125)-WD	2438 / 3000 x 500 x 125	120	2
SCL/G/O-(600X125)-WD	2438 / 3000 x 600 x 125	120	2
SCL/G/O-(750X125)-WD	2438 / 3000 x 750 x 125	120	2
SCL/G/O-(900X125)-WD	2438 / 3000 x 900 x 125	120	2
SCL/G/O-(1000X125)-WD	2438 / 3000 x 1000 x 125	120	2
SCL/G/O-(200X150)-WD	2438 / 3000 x 200 x 150	145	2
SCL/G/O-(250X150)-WD	2438 / 3000 x 250 x 150	145	2
SCL/G/O-(300X150)-WD	2438 / 3000 x 300 x 150	145	2
SCL/G/O-(400X150)-WD	2438 / 3000 x 400 x 150	145	2
SCL/G/O-(450X150)-WD	2438 / 3000 x 450 x 150	145	2
SCL/G/O-(500X150)-WD	2438 / 3000 x 500 x 150	145	2
SCL/G/O-(600X150)-WD	2438 / 3000 x 600 x 150	145	2
SCL/G/O-(750X150)-WD	2438 / 3000 x 750 x 150	145	2
SCL/G/O-(900X150)-WD	2438 / 3000 x 900 x 150	145	2
SCL/G/O-(1000X150)-WD	2438 / 3000 x 1000 x 150	145	2

**Specification subject to change without prior notice.
***Thickness Tolerance with + - 10%

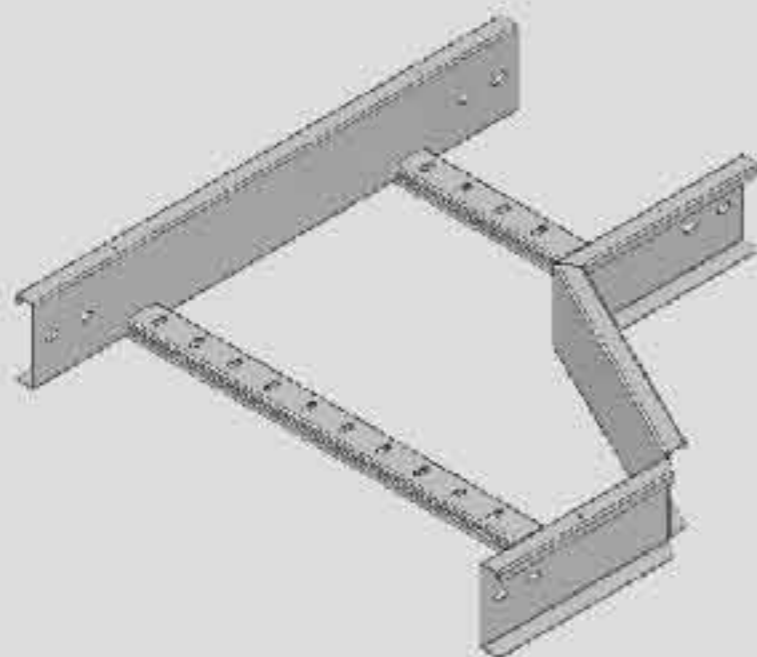
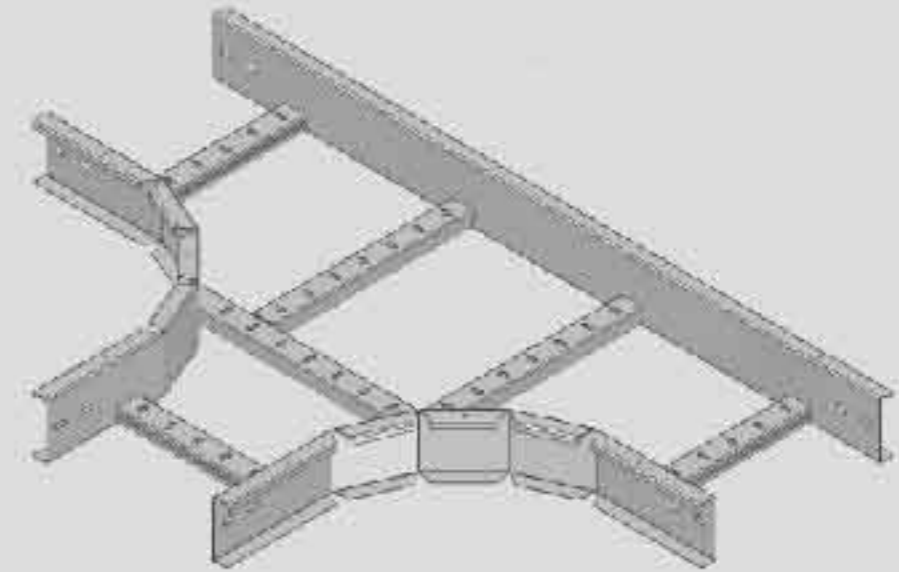
*For order information, please refer page 17.



◀ **Flatwise Cross**
SCL/G/O/WD AC-1

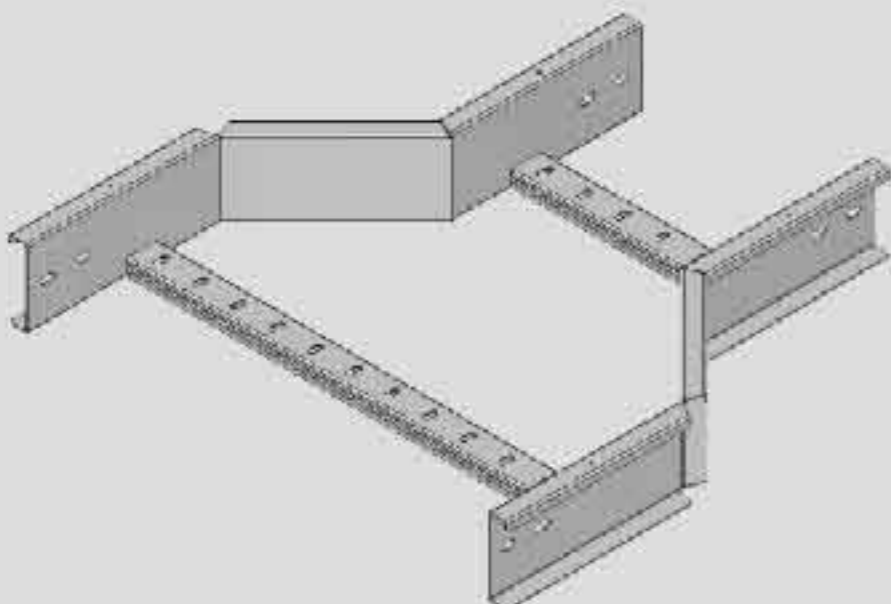
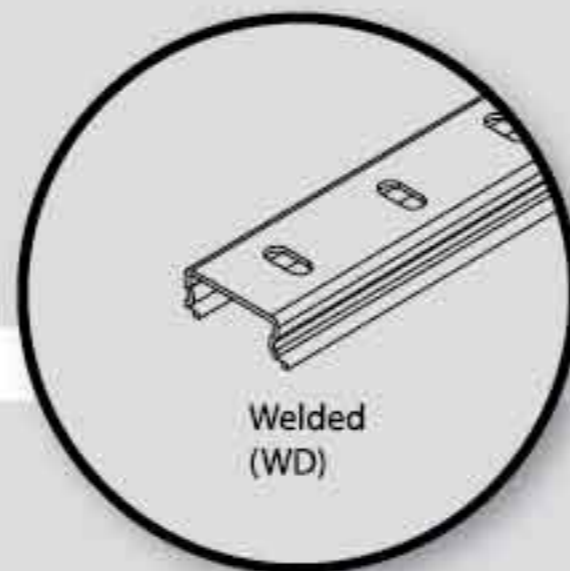
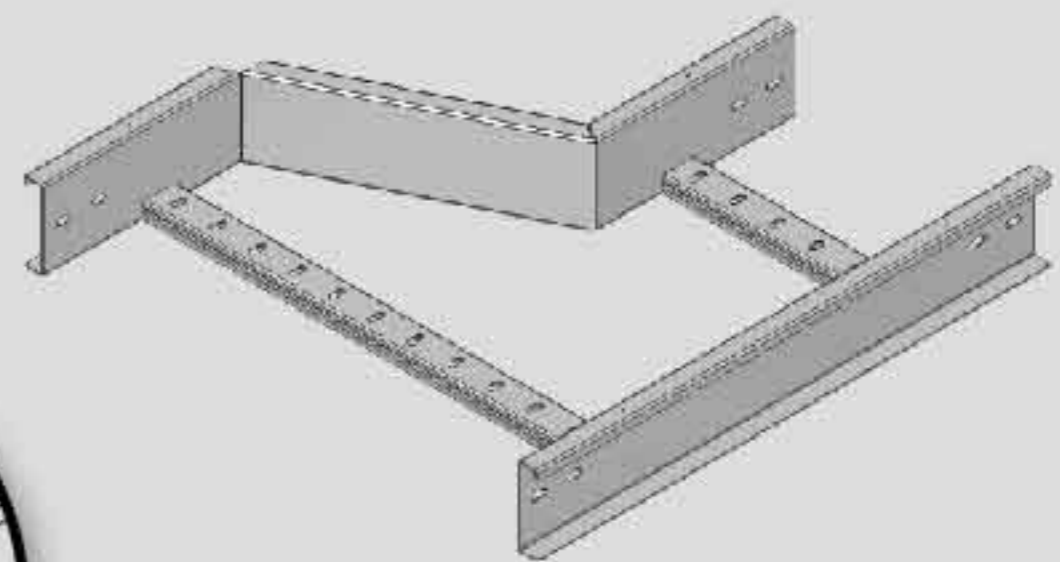


Flatwise Tee ▶
SCL/G/O/WD AC-2




◀ **Righthand Reducer**
SCL/G/O/WD AC-3

Lefthand Reducer ▶
SCL/G/O/WD AC-4

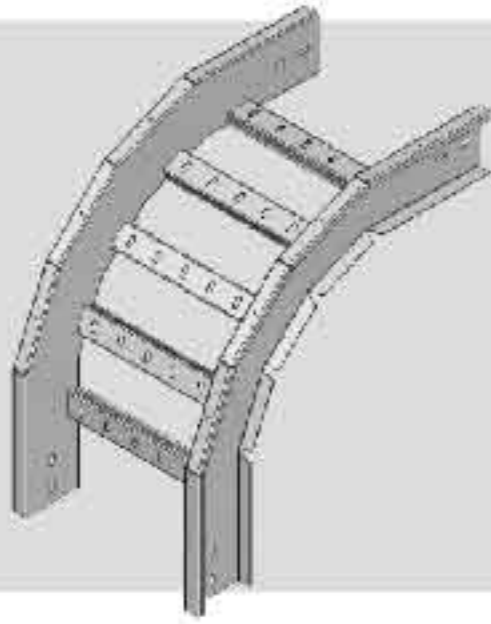
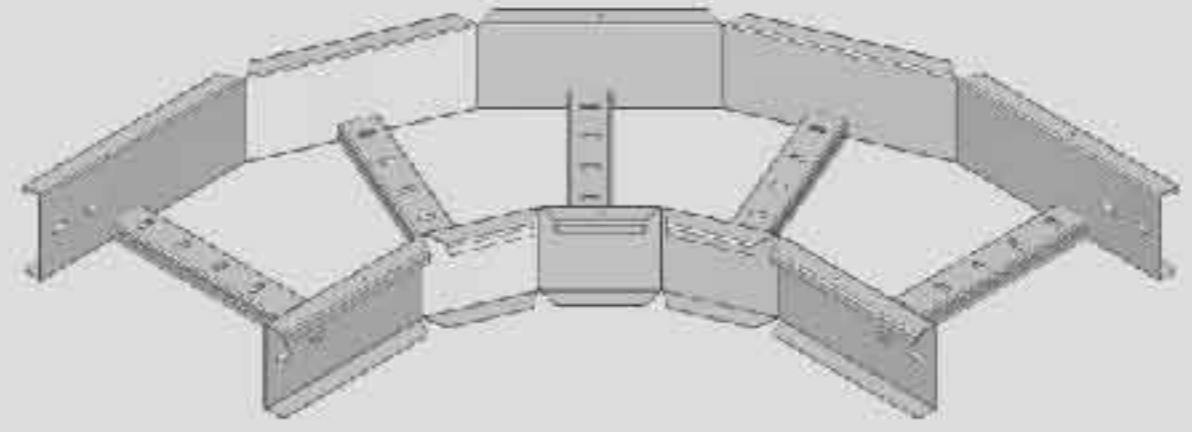


◀ **Straight Reducer**
SCL/G/O/WD AC-5

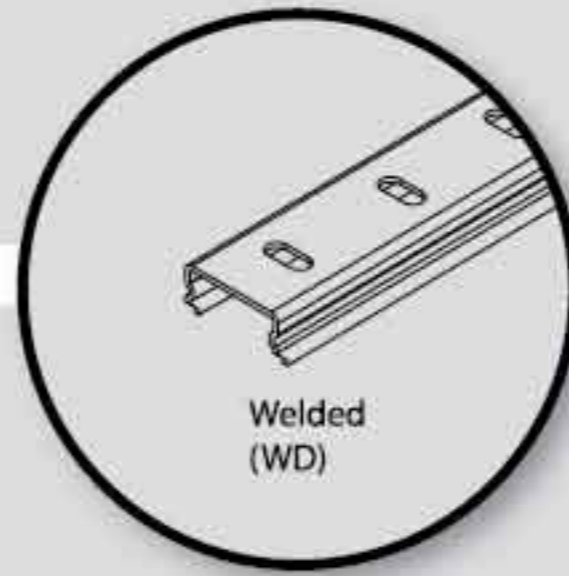
**Other design and sizes are available upon request.

"Type G - Outer" - WD 

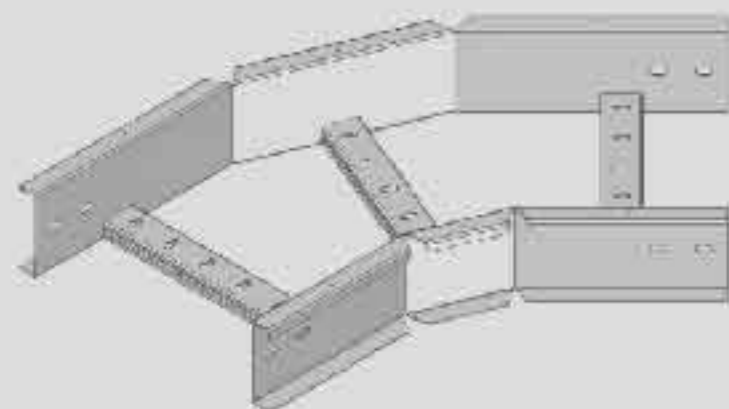
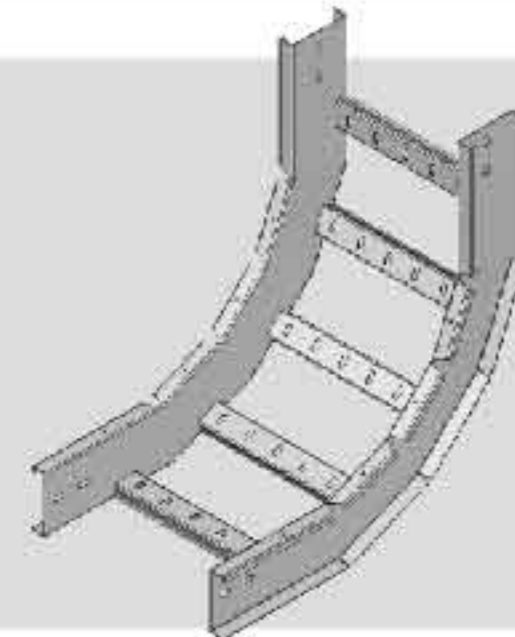
Flatwise Elbow ▶
SCL/G/O/WD AC-6



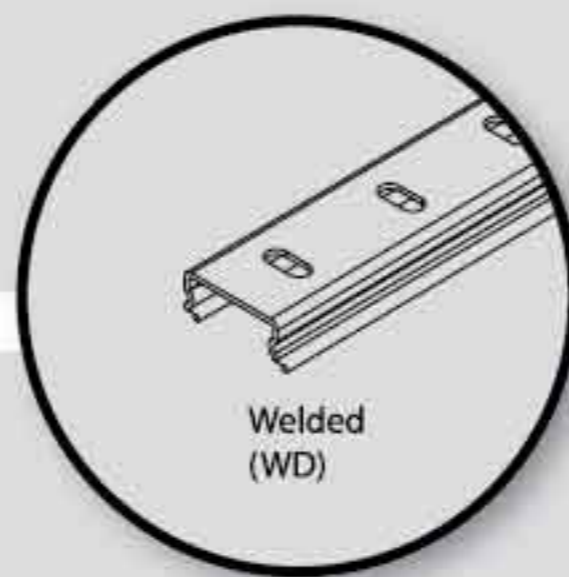
◀ Edgewise Elbow Left
SCL/G/O/WD AC-7



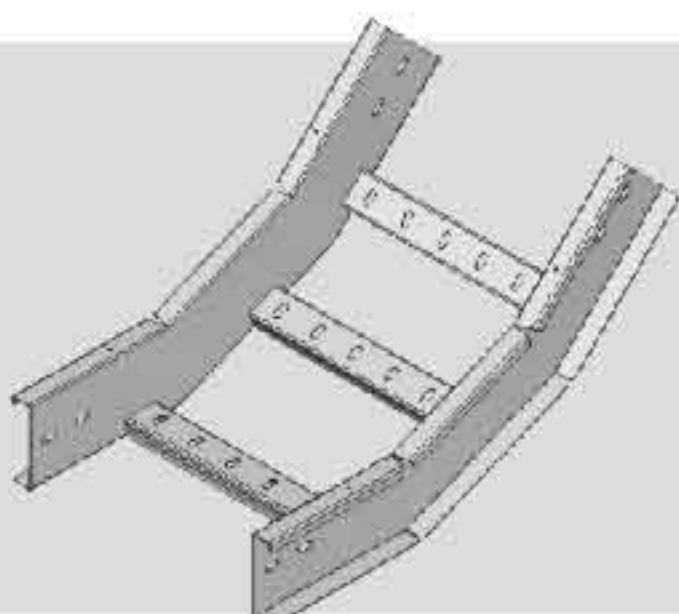
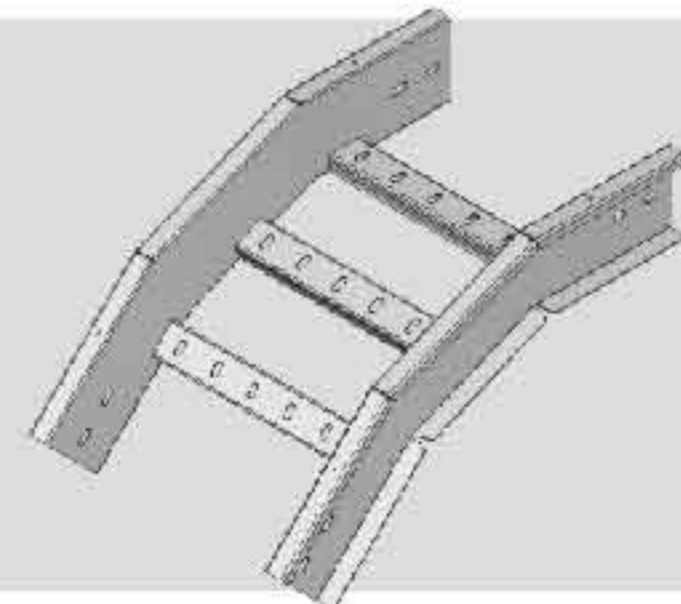
Edgewise Elbow Right ▶
SCL/G/O/WD AC-8



◀ Elbow Front
SCL/G/O/WD AC-9



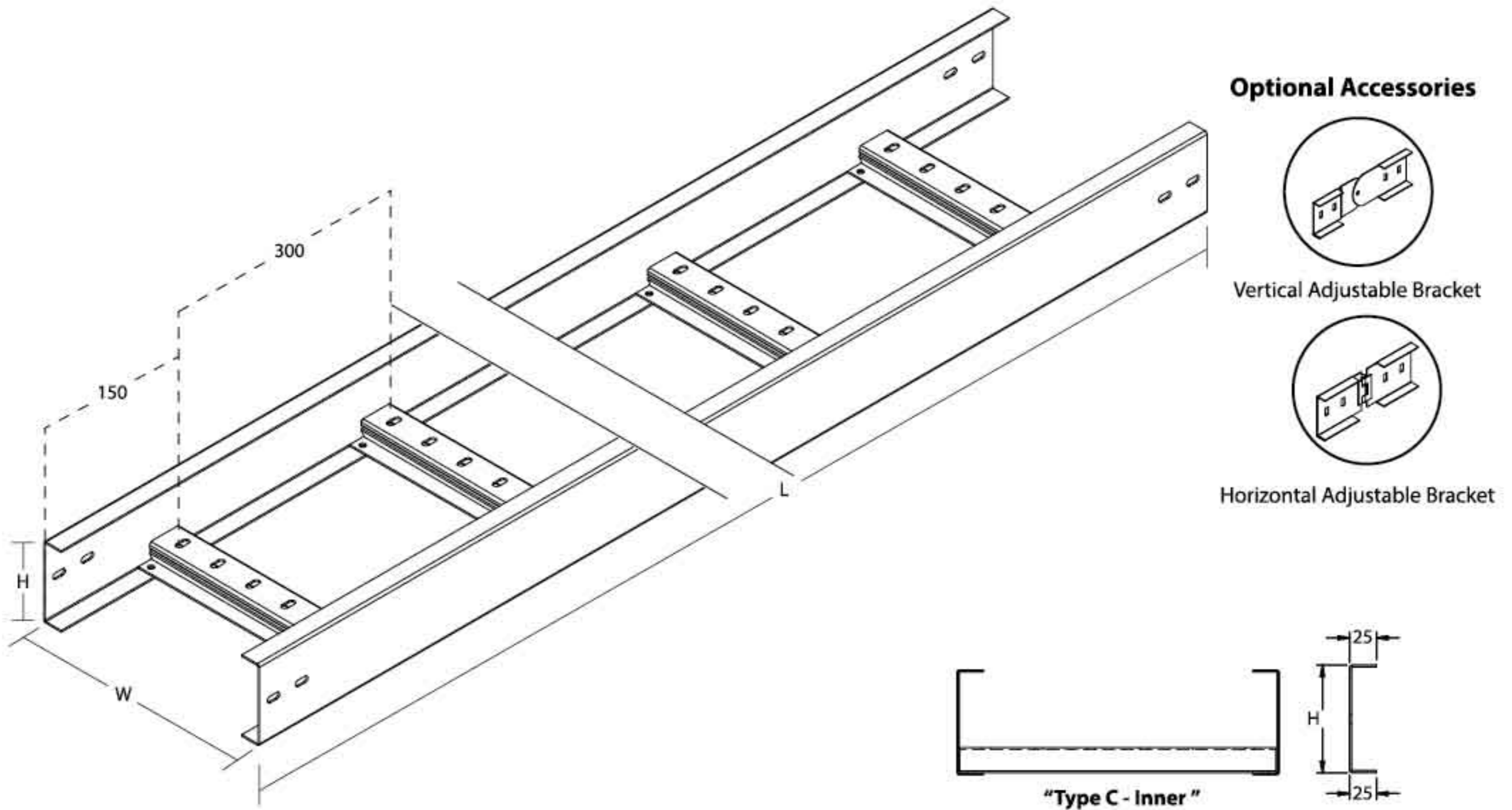
Elbow Top ▶
SCL/G/O/WD AC-10



◀ Elbow Bottom
SCL/G/O/WD AC-11

**Other design and sizes are available upon request.

"Type G - Outer" - WD



Cable Ladder "Type C - Inner" - Welded (WD)

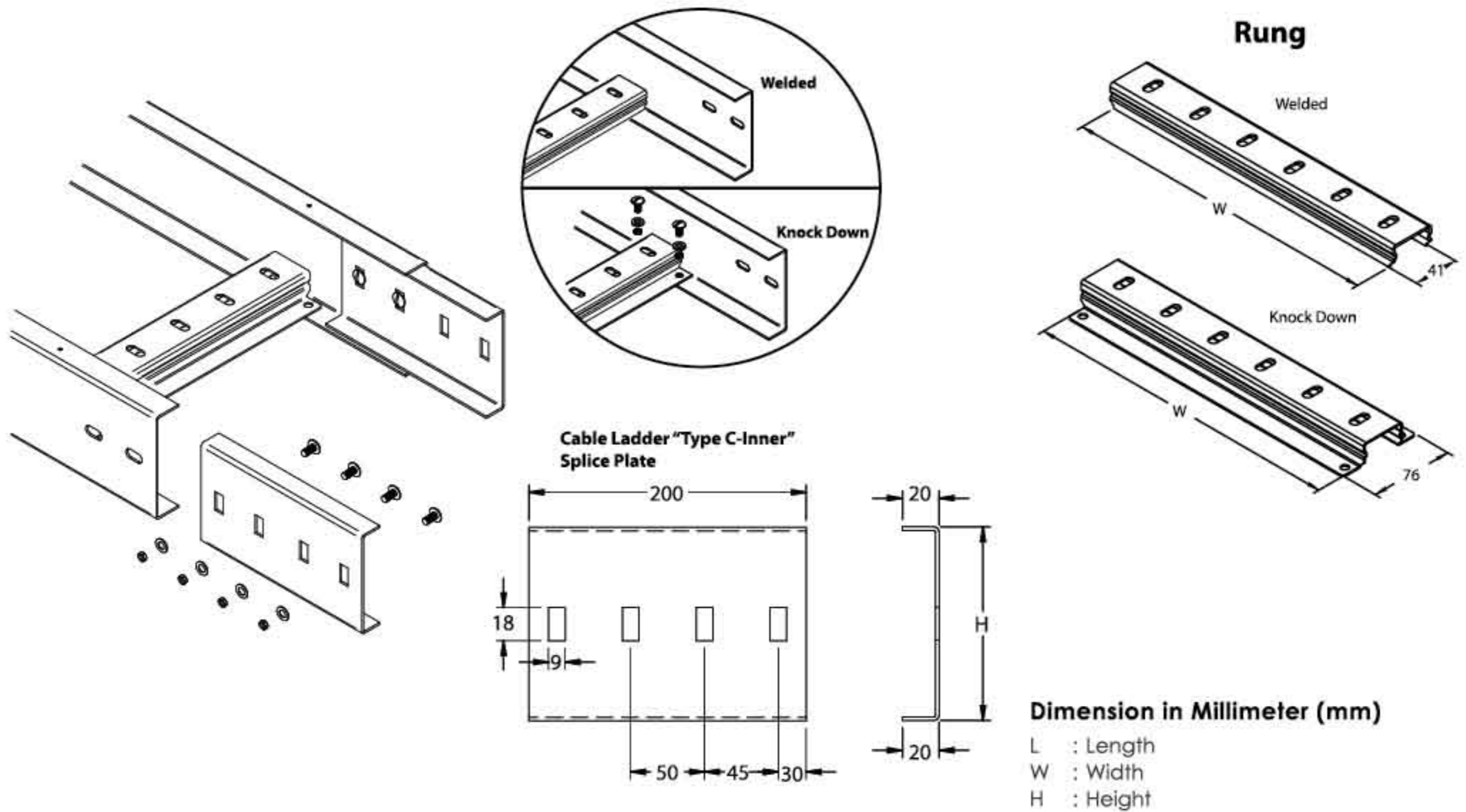
Model	Nominal Size (mm)		
	Body (LxWxH)	Splice Plate (H)	Thickness
SCL/C/I-(150X50)-WD	2438 / 3000 x 150 x 50	45	2
SCL/C/I-(200X50)-WD	2438 / 3000 x 200 x 50	45	2
SCL/C/I-(250X50)-WD	2438 / 3000 x 250 x 50	45	2
SCL/C/I-(300X50)-WD	2438 / 3000 x 300 x 50	45	2
SCL/C/I-(150X75)-WD	2438 / 3000 x 150 x 75	70	2
SCL/C/I-(200X75)-WD	2438 / 3000 x 200 x 75	70	2
SCL/C/I-(250X75)-WD	2438 / 3000 x 250 x 75	70	2
SCL/C/I-(300X75)-WD	2438 / 3000 x 300 x 75	70	2
SCL/C/I-(450X75)-WD	2438 / 3000 x 450 x 75	70	2
SCL/C/I-(600X75)-WD	2438 / 3000 x 600 x 75	70	2
SCL/C/I-(900X75)-WD	2438 / 3000 x 900 x 75	70	2
SCL/C/I-(150X100)-WD	2438 / 3000 x 150 x 100	95	2
SCL/C/I-(200X100)-WD	2438 / 3000 x 200 x 100	95	2
SCL/C/I-(250X100)-WD	2438 / 3000 x 250 x 100	95	2
SCL/C/I-(300X100)-WD	2438 / 3000 x 300 x 100	95	2
SCL/C/I-(400X100)-WD	2438 / 3000 x 400 x 100	95	2
SCL/C/I-(450X100)-WD	2438 / 3000 x 450 x 100	95	2
SCL/C/I-(500X100)-WD	2438 / 3000 x 500 x 100	95	2
SCL/C/I-(600X100)-WD	2438 / 3000 x 600 x 100	95	2
SCL/C/I-(750X100)-WD	2438 / 3000 x 750 x 100	95	2
SCL/C/I-(900X100)-WD	2438 / 3000 x 900 x 100	95	2
SCL/C/I-(1000X100)-WD	2438 / 3000 x 1000 x 100	95	2
SCL/C/I-(200X125)-WD	2438 / 3000 x 200 x 125	120	2
SCL/C/I-(250X125)-WD	2438 / 3000 x 250 x 125	120	2
SCL/C/I-(300X125)-WD	2438 / 3000 x 300 x 125	120	2
SCL/C/I-(400X125)-WD	2438 / 3000 x 400 x 125	120	2
SCL/C/I-(450X125)-WD	2438 / 3000 x 450 x 125	120	2
SCL/C/I-(500X125)-WD	2438 / 3000 x 500 x 125	120	2
SCL/C/I-(600X125)-WD	2438 / 3000 x 600 x 125	120	2
SCL/C/I-(750X125)-WD	2438 / 3000 x 750 x 125	120	2
SCL/C/I-(900X125)-WD	2438 / 3000 x 900 x 125	120	2
SCL/C/I-(1000X125)-WD	2438 / 3000 x 1000 x 125	120	2
SCL/C/I-(200X150)-WD	2438 / 3000 x 200 x 150	145	2
SCL/C/I-(250X150)-WD	2438 / 3000 x 250 x 150	145	2
SCL/C/I-(300X150)-WD	2438 / 3000 x 300 x 150	145	2
SCL/C/I-(400X150)-WD	2438 / 3000 x 400 x 150	145	2
SCL/C/I-(450X150)-WD	2438 / 3000 x 450 x 150	145	2
SCL/C/I-(500X150)-WD	2438 / 3000 x 500 x 150	145	2
SCL/C/I-(600X150)-WD	2438 / 3000 x 600 x 150	145	2
SCL/C/I-(750X150)-WD	2438 / 3000 x 750 x 150	145	2
SCL/C/I-(900X150)-WD	2438 / 3000 x 900 x 150	145	2
SCL/C/I-(1000X150)-WD	2438 / 3000 x 1000 x 150	145	2

**Specification subject to change without prior notice.
 ***Thickness Tolerance with + - 10%

*For order information, please refer page 17.

Cable Ladder System

Cable Ladder Straight "Type C -Inner" (Welded / Knock Down)

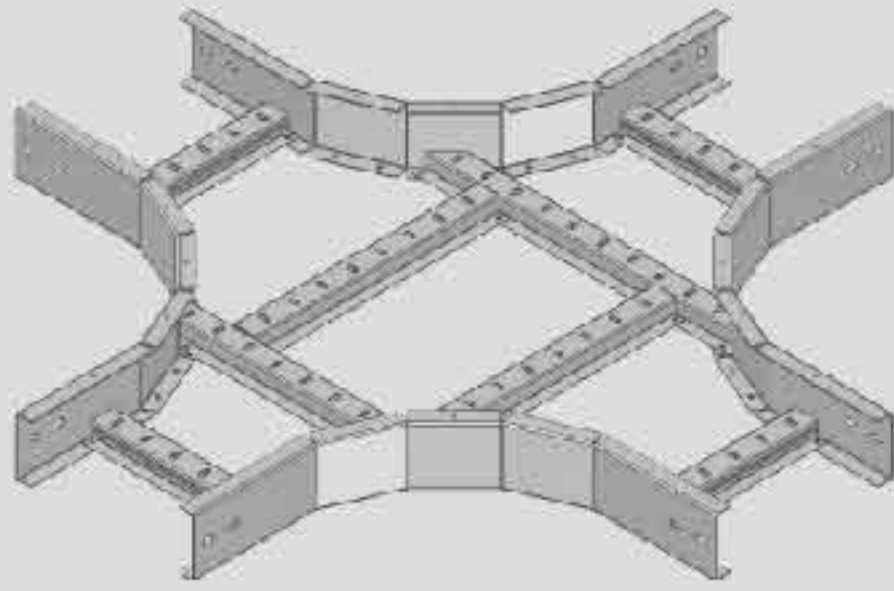


Cable Ladder "Type C - Inner" - Knock Down (KD)

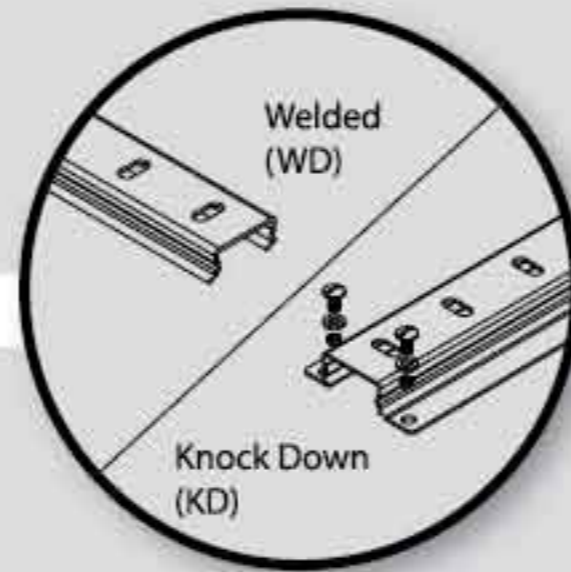
Model	Nominal Size (mm)		
	Body (LxWxH)	Splice Plate (H)	Thickness
SCL/C/I-(150X50)-KD	2438 / 3000 x 150 x 50	45	2
SCL/C/I-(200X50)-KD	2438 / 3000 x 200 x 50	45	2
SCL/C/I-(250X50)-KD	2438 / 3000 x 250 x 50	45	2
SCL/C/I-(300X50)-KD	2438 / 3000 x 300 x 50	45	2
SCL/C/I-(150X75)-KD	2438 / 3000 x 150 x 75	70	2
SCL/C/I-(200X75)-KD	2438 / 3000 x 200 x 75	70	2
SCL/C/I-(250X75)-KD	2438 / 3000 x 250 x 75	70	2
SCL/C/I-(300X75)-KD	2438 / 3000 x 300 x 75	70	2
SCL/C/I-(450X75)-KD	2438 / 3000 x 450 x 75	70	2
SCL/C/I-(600X75)-KD	2438 / 3000 x 600 x 75	70	2
SCL/C/I-(900X75)-KD	2438 / 3000 x 900 x 75	70	2
SCL/C/I-(150X100)-KD	2438 / 3000 x 150 x 100	95	2
SCL/C/I-(200X100)-KD	2438 / 3000 x 200 x 100	95	2
SCL/C/I-(250X100)-KD	2438 / 3000 x 250 x 100	95	2
SCL/C/I-(300X100)-KD	2438 / 3000 x 300 x 100	95	2
SCL/C/I-(400X100)-KD	2438 / 3000 x 400 x 100	95	2
SCL/C/I-(450X100)-KD	2438 / 3000 x 450 x 100	95	2
SCL/C/I-(500X100)-KD	2438 / 3000 x 500 x 100	95	2
SCL/C/I-(600X100)-KD	2438 / 3000 x 600 x 100	95	2
SCL/C/I-(750X100)-KD	2438 / 3000 x 750 x 100	95	2
SCL/C/I-(900X100)-KD	2438 / 3000 x 900 x 100	95	2
SCL/C/I-(1000X100)-KD	2438 / 3000 x 1000 x 100	95	2
SCL/C/I-(200X125)-KD	2438 / 3000 x 200 x 125	120	2
SCL/C/I-(250X125)-KD	2438 / 3000 x 250 x 125	120	2
SCL/C/I-(300X125)-KD	2438 / 3000 x 300 x 125	120	2
SCL/C/I-(400X125)-KD	2438 / 3000 x 400 x 125	120	2
SCL/C/I-(450X125)-KD	2438 / 3000 x 450 x 125	120	2
SCL/C/I-(500X125)-KD	2438 / 3000 x 500 x 125	120	2
SCL/C/I-(600X125)-KD	2438 / 3000 x 600 x 125	120	2
SCL/C/I-(750X125)-KD	2438 / 3000 x 750 x 125	120	2
SCL/C/I-(900X125)-KD	2438 / 3000 x 900 x 125	120	2
SCL/C/I-(1000X125)-KD	2438 / 3000 x 1000 x 125	120	2
SCL/C/I-(200X150)-KD	2438 / 3000 x 200 x 150	145	2
SCL/C/I-(250X150)-KD	2438 / 3000 x 250 x 150	145	2
SCL/C/I-(300X150)-KD	2438 / 3000 x 300 x 150	145	2
SCL/C/I-(400X150)-KD	2438 / 3000 x 400 x 150	145	2
SCL/C/I-(450X150)-KD	2438 / 3000 x 450 x 150	145	2
SCL/C/I-(500X150)-KD	2438 / 3000 x 500 x 150	145	2
SCL/C/I-(600X150)-KD	2438 / 3000 x 600 x 150	145	2
SCL/C/I-(750X150)-KD	2438 / 3000 x 750 x 150	145	2
SCL/C/I-(900X150)-KD	2438 / 3000 x 900 x 150	145	2
SCL/C/I-(1000X150)-KD	2438 / 3000 x 1000 x 150	145	2

**Specification subject to change without prior notice.
 ***Thickness Tolerance with + - 10%

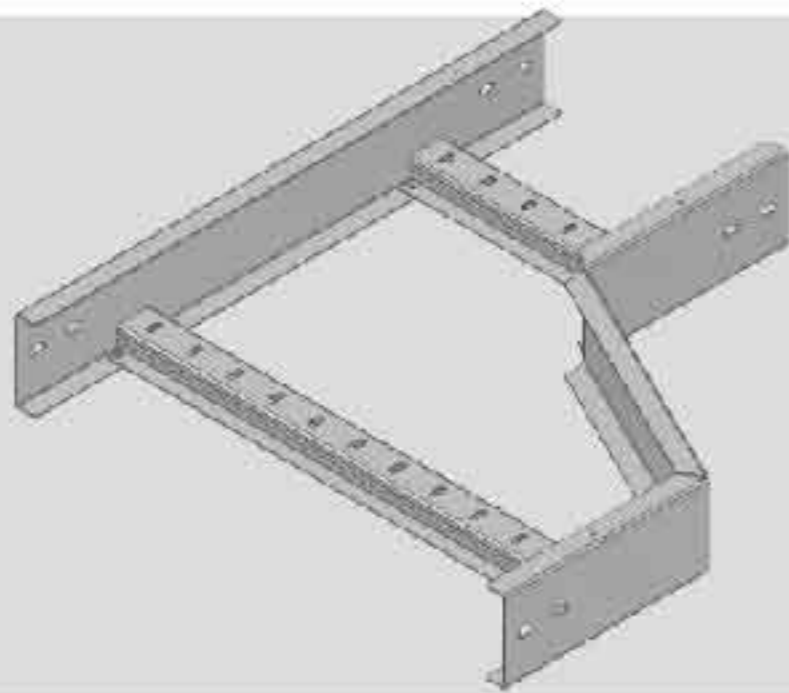
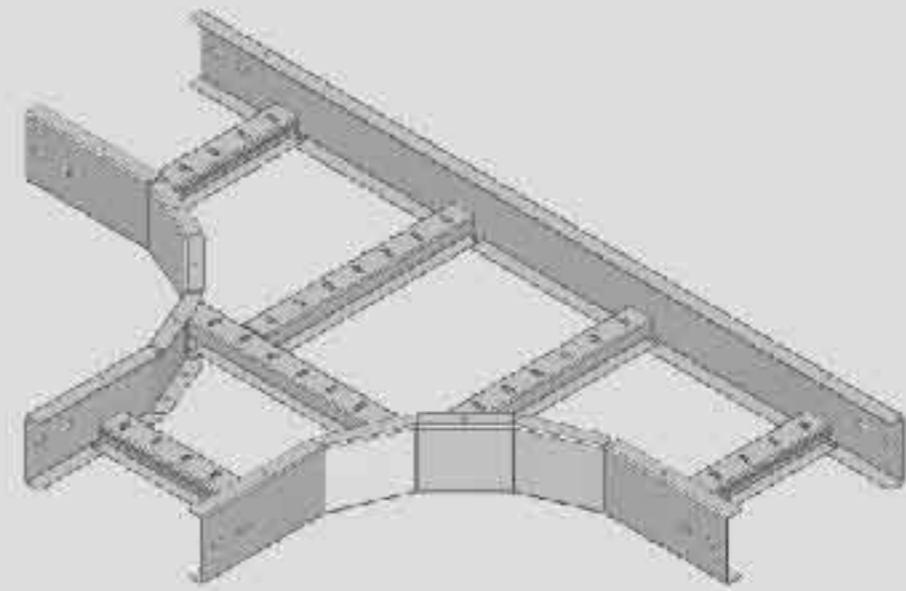
*For order information, please refer page 17.



◀ **Flatwise Cross**
SCL/C/I/WD AC-1
SCL/C/I/KD AC-1

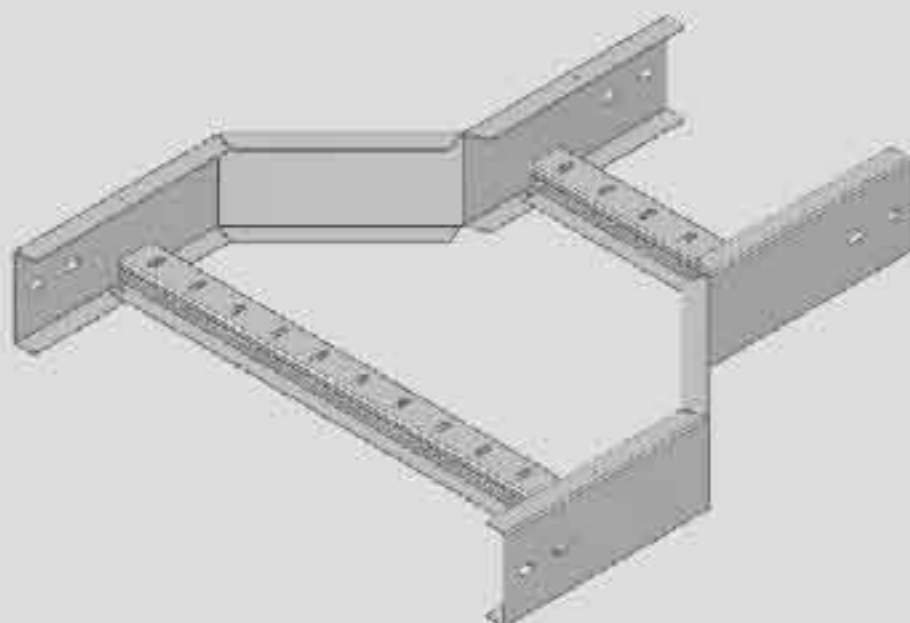
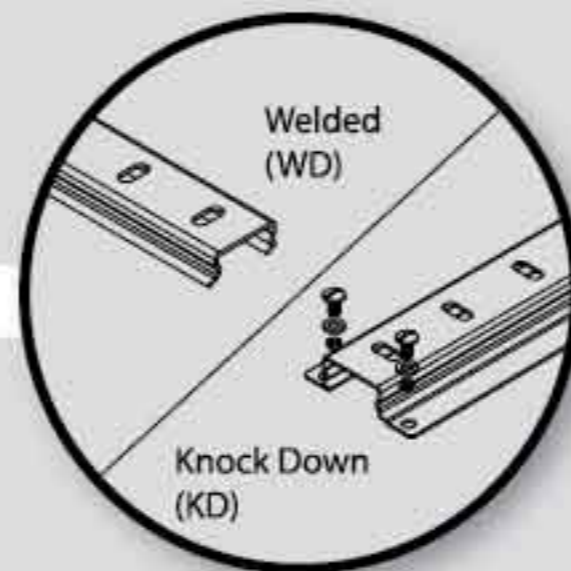
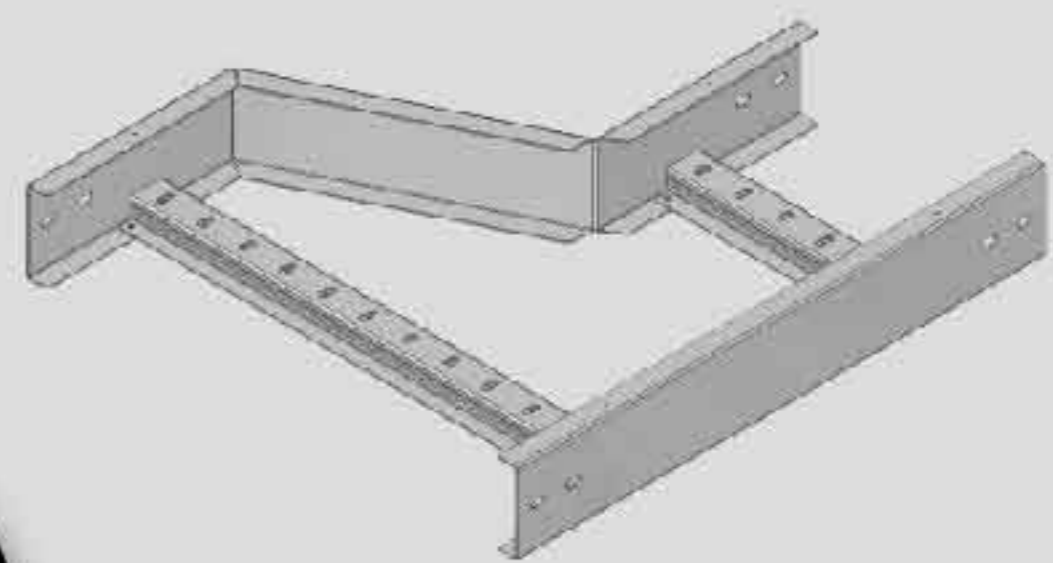


Flatwise Tee ▶
SCL/C/I/WD AC-2
SCL/C/I/KD AC-2



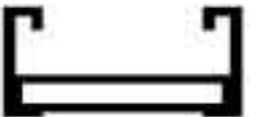
◀ **Righthand Reducer**
SCL/C/I/WD AC-3
SCL/C/I/KD AC-3

Lefthand Reducer ▶
SCL/C/I/WD AC-4
SCL/C/I/KD AC-4



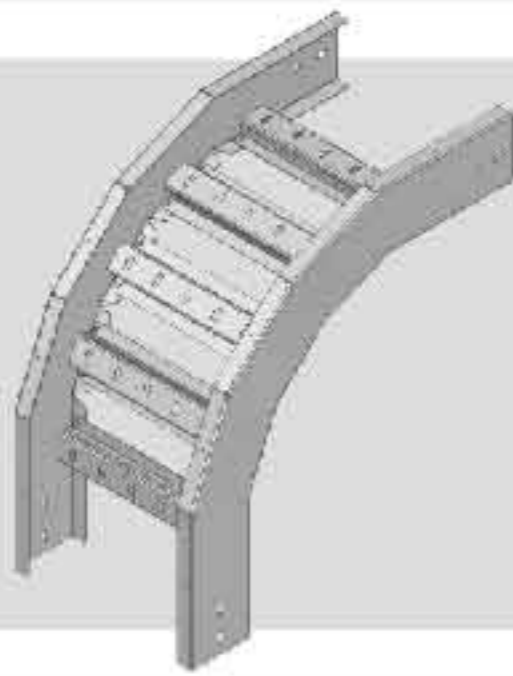
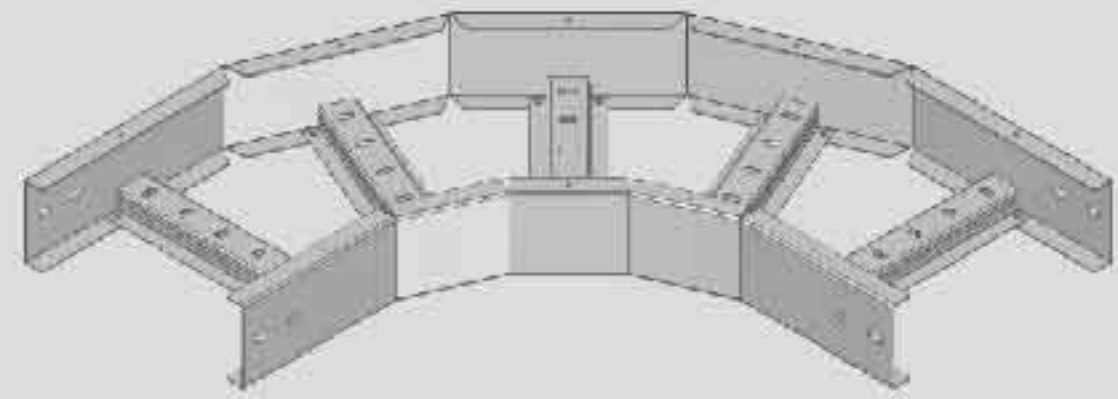
◀ **Straight Reducer**
SCL/C/I/WD AC-5
SCL/C/I/KD AC-5

**Other design and sizes are available upon request.

"Type C - Inner" - WD/KD 

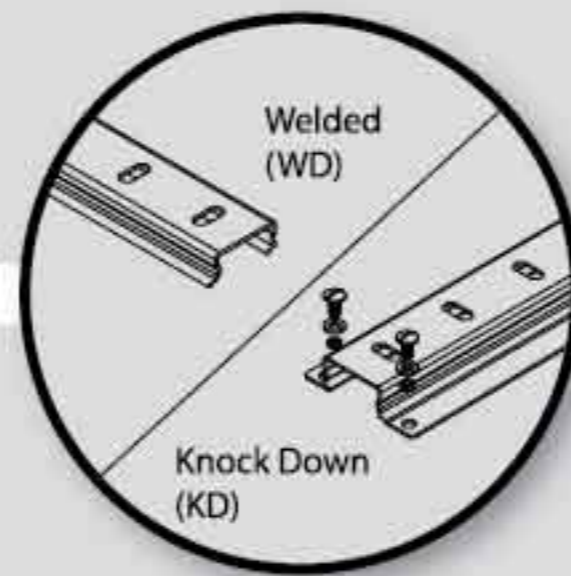
Flatwise Elbow ▶

SCL/C//WD AC-6
SCL/C//KD AC-6



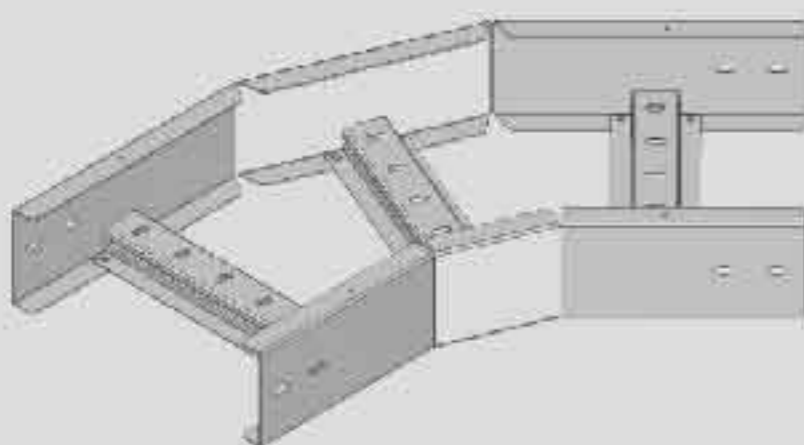
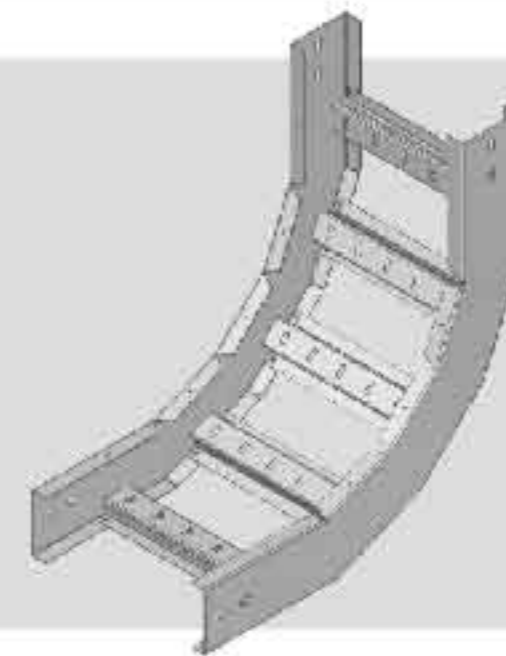
◀ Edgewise Elbow Left

SCL/C//WD AC-7
SCL/C//KD AC-7



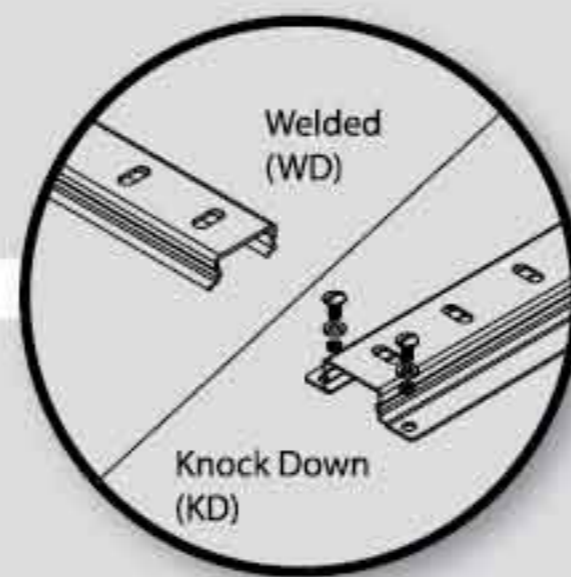
Edgewise Elbow Right ▶

SCL/C//WD AC-8
SCL/C//KD AC-8



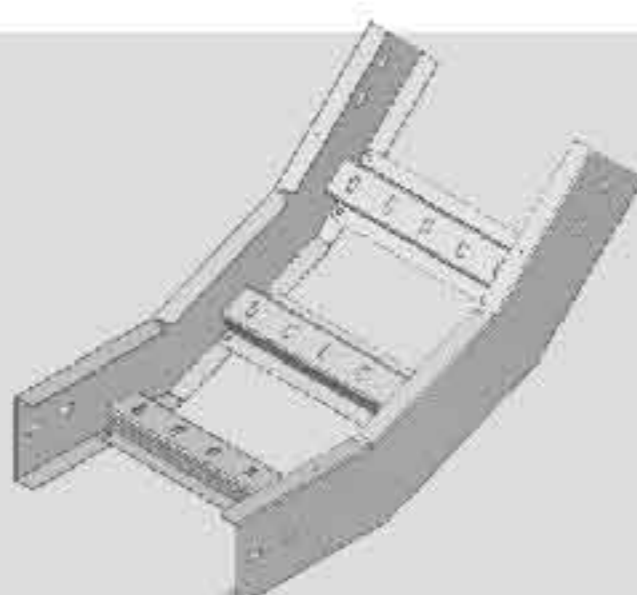
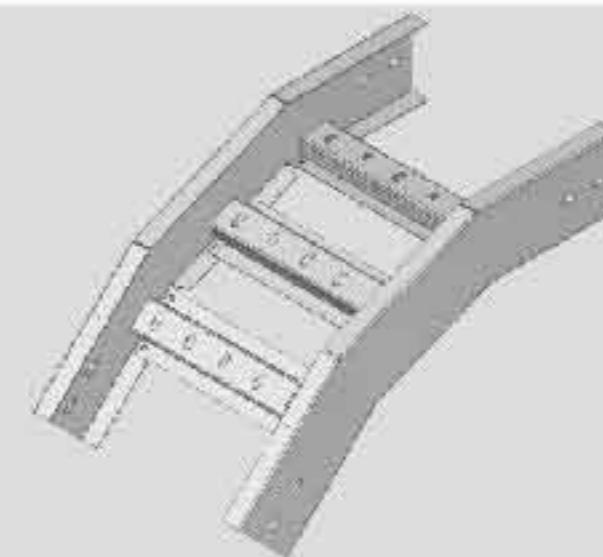
◀ Elbow Front

SCL/C//WD AC-9
SCL/C//KD AC-9



Elbow Top ▶

SCL/C//WD AC-10
SCL/C//KD AC-10

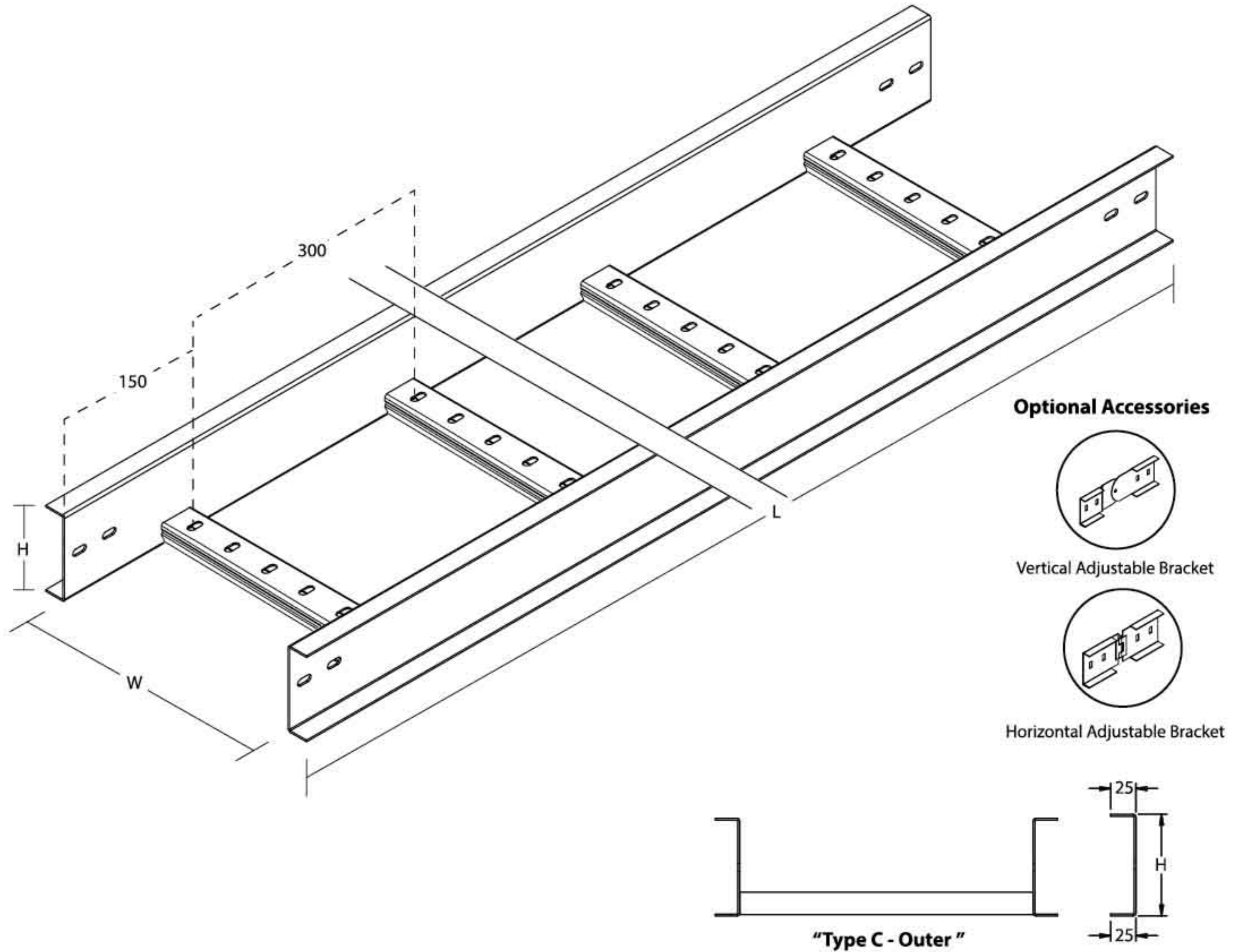


◀ Elbow Bottom

SCL/C//WD AC-11
SCL/C//KD AC-11

**Other design and sizes are available upon request.

"Type C - Inner" - WD/KD



Cable Ladder "Type C - Outer" - Welded (WD)

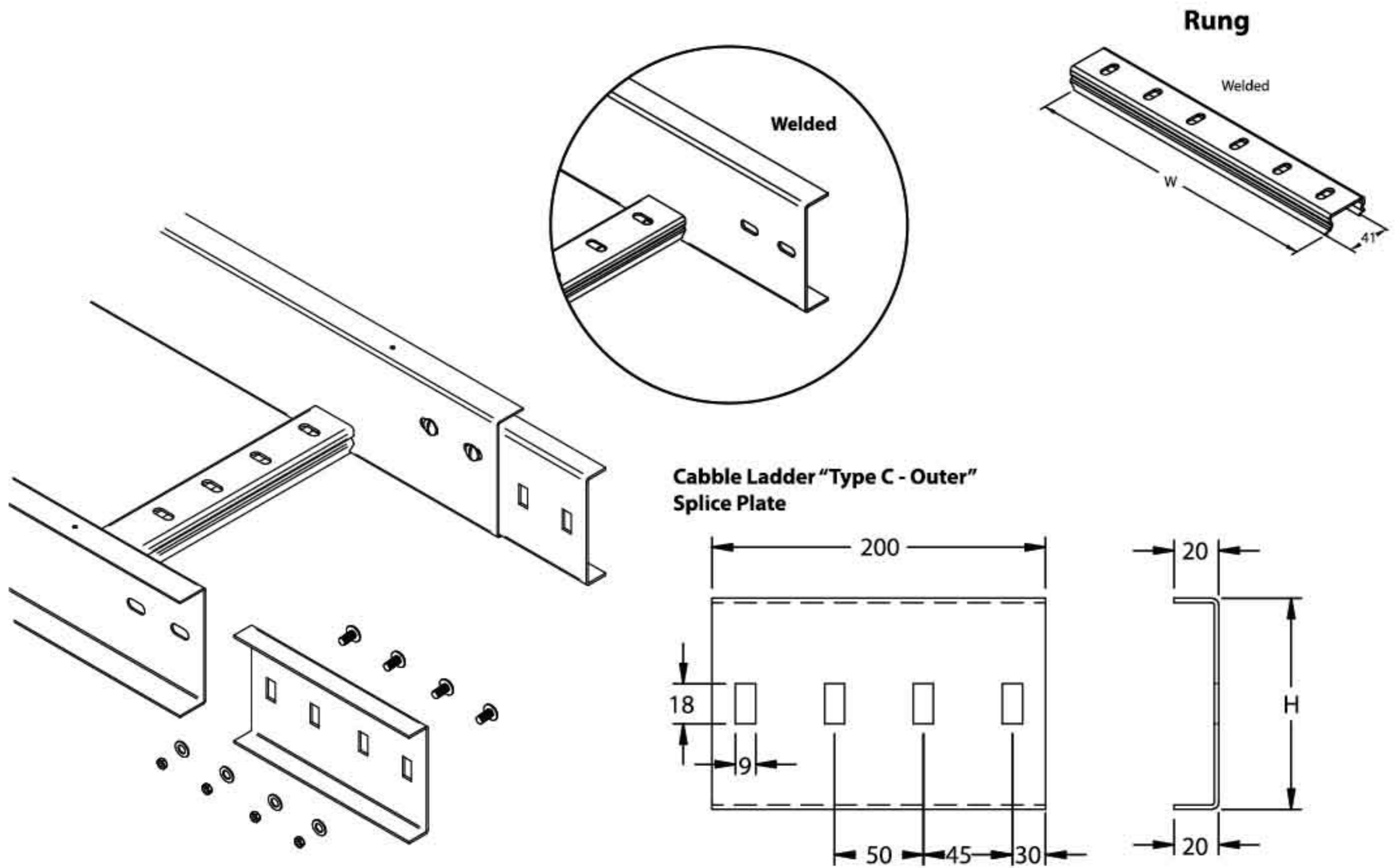
Model	Nominal Size (mm)		
	Body (LxWxH)	Splice Plate (H)	Thickness
SCL/C/O-(150X50)-WD	2438 / 3000 x 150 x 50	45	2
SCL/C/O-(200X50)-WD	2438 / 3000 x 200 x 50	45	2
SCL/C/O-(250X50)-WD	2438 / 3000 x 250 x 50	45	2
SCL/C/O-(300X50)-WD	2438 / 3000 x 300 x 50	45	2
SCL/C/O-(150X75)-WD	2438 / 3000 x 150 x 75	70	2
SCL/C/O-(200X75)-WD	2438 / 3000 x 200 x 75	70	2
SCL/C/O-(250X75)-WD	2438 / 3000 x 250 x 75	70	2
SCL/C/O-(300X75)-WD	2438 / 3000 x 300 x 75	70	2
SCL/C/O-(450X75)-WD	2438 / 3000 x 450 x 75	70	2
SCL/C/O-(600X75)-WD	2438 / 3000 x 600 x 75	70	2
SCL/C/O-(900X75)-WD	2438 / 3000 x 900 x 75	70	2
SCL/C/O-(150X100)-WD	2438 / 3000 x 150 x 100	95	2
SCL/C/O-(200X100)-WD	2438 / 3000 x 200 x 100	95	2
SCL/C/O-(250X100)-WD	2438 / 3000 x 250 x 100	95	2
SCL/C/O-(300X100)-WD	2438 / 3000 x 300 x 100	95	2
SCL/C/O-(400X100)-WD	2438 / 3000 x 400 x 100	95	2
SCL/C/O-(450X100)-WD	2438 / 3000 x 450 x 100	95	2
SCL/C/O-(500X100)-WD	2438 / 3000 x 500 x 100	95	2
SCL/C/O-(600X100)-WD	2438 / 3000 x 600 x 100	95	2
SCL/C/O-(750X100)-WD	2438 / 3000 x 750 x 100	95	2
SCL/C/O-(900X100)-WD	2438 / 3000 x 900 x 100	95	2

**Specification subject to change without prior notice.
 ***Thickness Tolerance with + - 10%

*For order information, please refer page 17.

Cable Ladder System

Cable Ladder Straight "Type C - Outer" (Welded)



Dimension in Millimeter (mm)

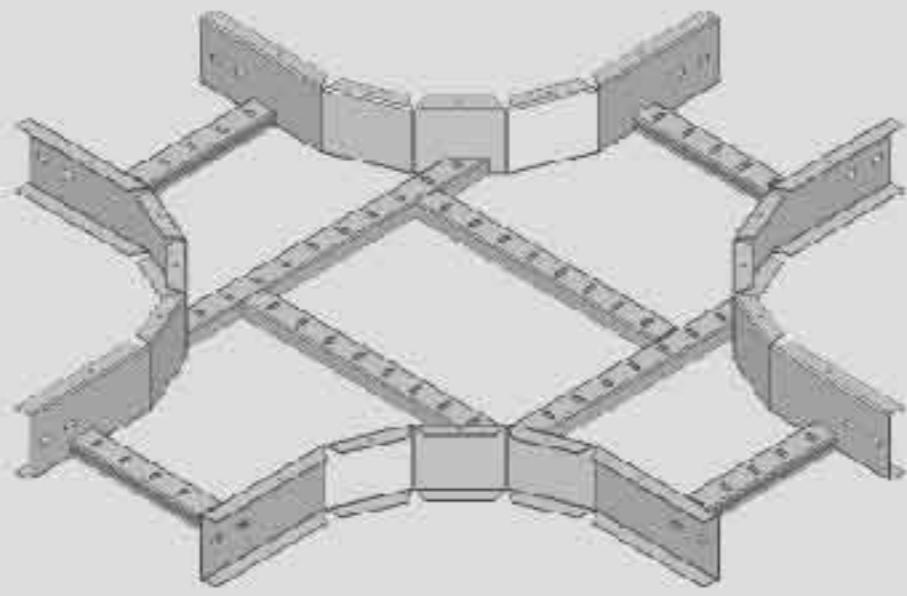
L : Length
W : Width
H : Height

Cable Ladder "Type C - Outer" - Welded (WD)

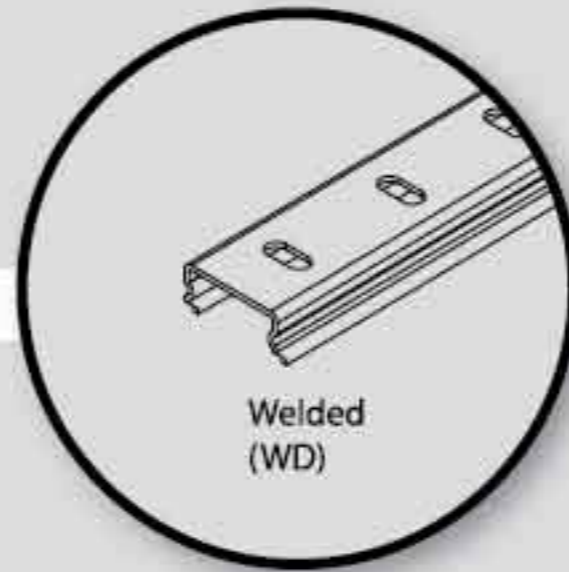
Model	Nominal Size (mm)		
	Body (LxWxH)	Splice Plate (H)	Thickness
SCL/C/O-(1000X100)-WD	2438 / 3000 x 1000 x 100	95	2
SCL/C/O-(200X125)-WD	2438 / 3000 x 200 x 125	120	2
SCL/C/O-(250X125)-WD	2438 / 3000 x 250 x 125	120	2
SCL/C/O-(300X125)-WD	2438 / 3000 x 300 x 125	120	2
SCL/C/O-(400X125)-WD	2438 / 3000 x 400 x 125	120	2
SCL/C/O-(450X125)-WD	2438 / 3000 x 450 x 125	120	2
SCL/C/O-(500X125)-WD	2438 / 3000 x 500 x 125	120	2
SCL/C/O-(600X125)-WD	2438 / 3000 x 600 x 125	120	2
SCL/C/O-(750X125)-WD	2438 / 3000 x 750 x 125	120	2
SCL/C/O-(900X125)-WD	2438 / 3000 x 900 x 125	120	2
SCL/C/O-(1000X125)-WD	2438 / 3000 x 1000 x 125	120	2
SCL/C/O-(200X150)-WD	2438 / 3000 x 200 x 150	145	2
SCL/C/O-(250X150)-WD	2438 / 3000 x 250 x 150	145	2
SCL/C/O-(300X150)-WD	2438 / 3000 x 300 x 150	145	2
SCL/C/O-(400X150)-WD	2438 / 3000 x 400 x 150	145	2
SCL/C/O-(450X150)-WD	2438 / 3000 x 450 x 150	145	2
SCL/C/O-(500X150)-WD	2438 / 3000 x 500 x 150	145	2
SCL/C/O-(600X150)-WD	2438 / 3000 x 600 x 150	145	2
SCL/C/O-(750X150)-WD	2438 / 3000 x 750 x 150	145	2
SCL/C/O-(900X150)-WD	2438 / 3000 x 900 x 150	145	2
SCL/C/O-(1000X150)-WD	2438 / 3000 x 1000 x 150	145	2

**Specification subject to change without prior notice.
***Thickness Tolerance with + - 10%

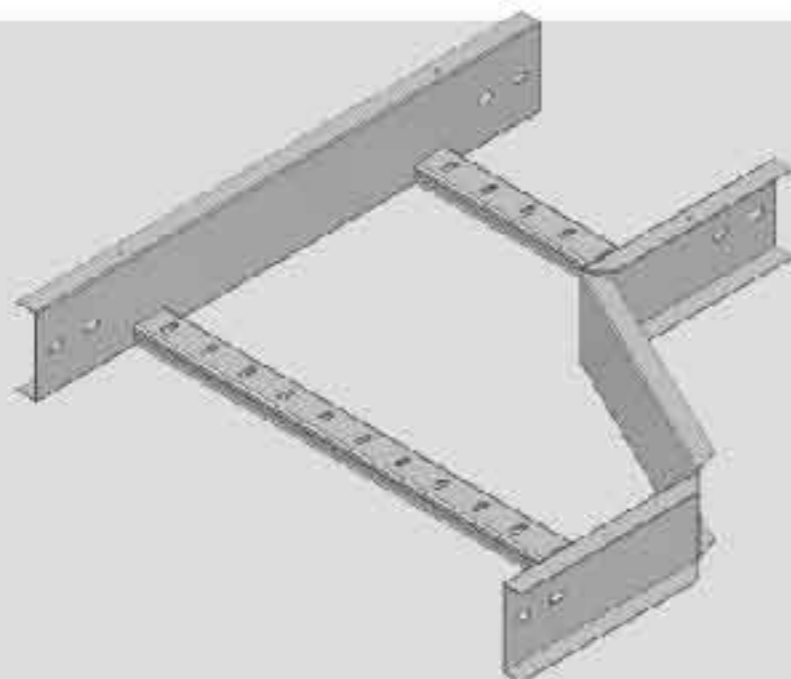
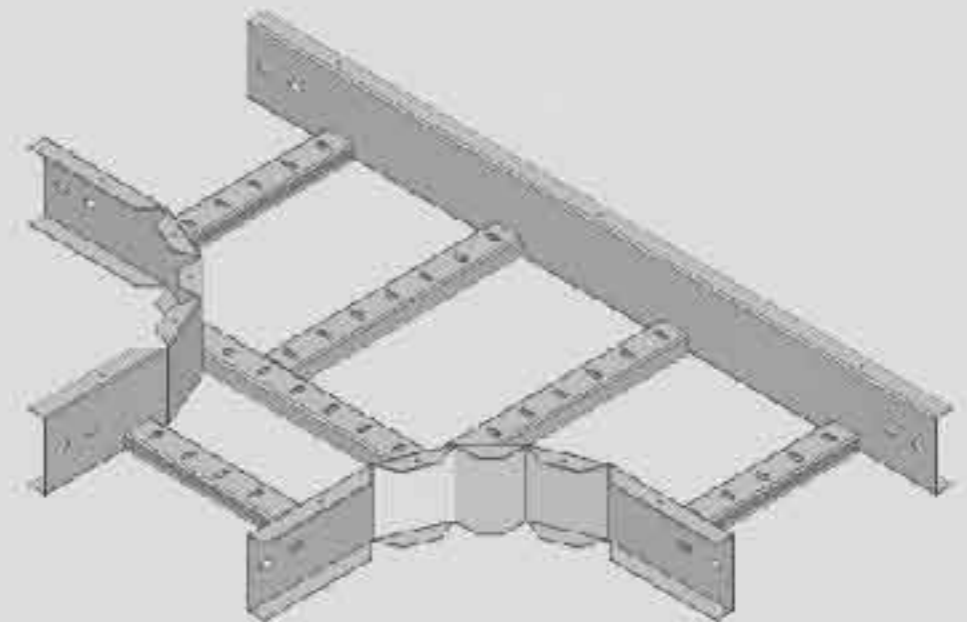
*For order information, please refer page 17.



◀ **Flatwise Cross**
SCL/C/O/WD AC-1

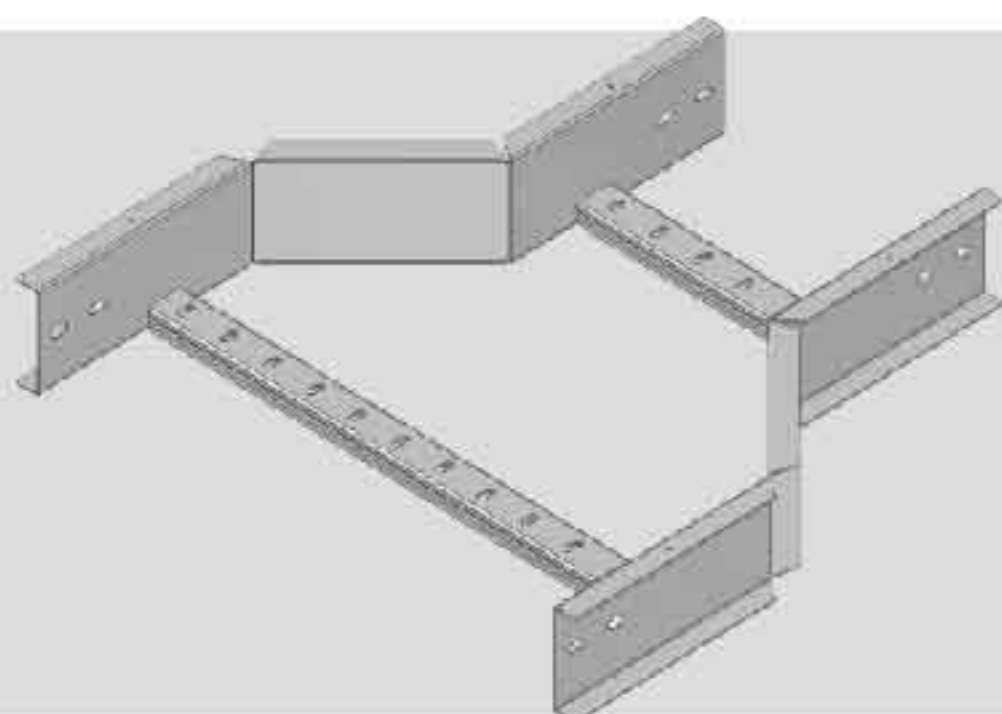
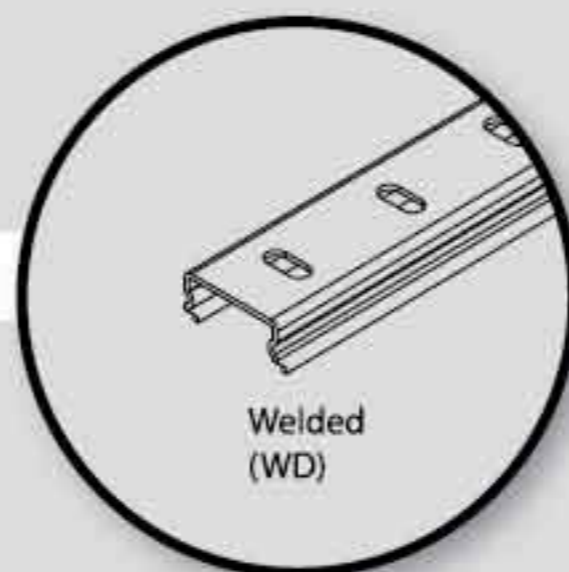
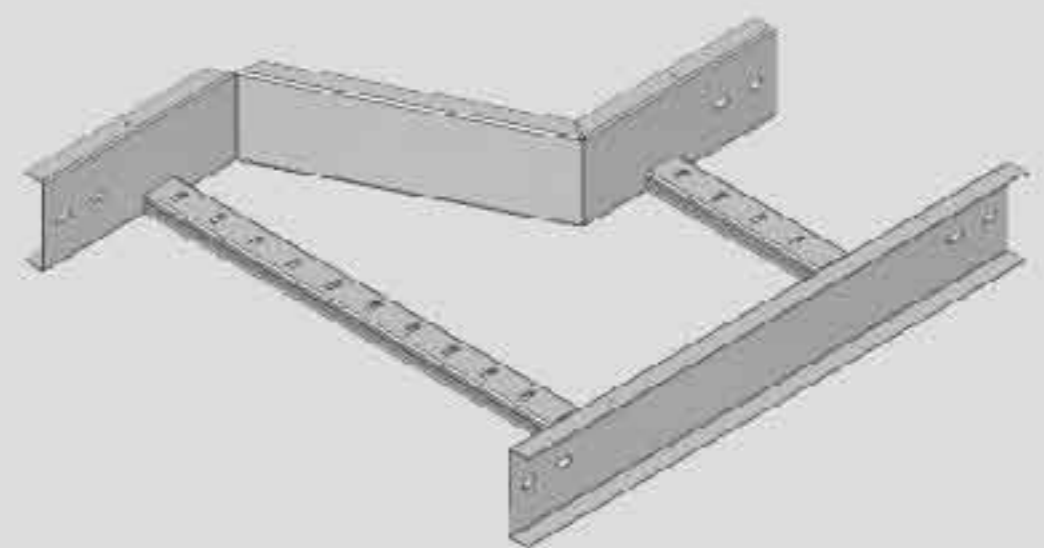


Flatwise Tee ▶
SCL/C/O/WD AC-2




◀ **Righthand Reducer**
SCL/C/O/WD AC-3

Lefthand Reducer ▶
SCL/C/O/WD AC-4

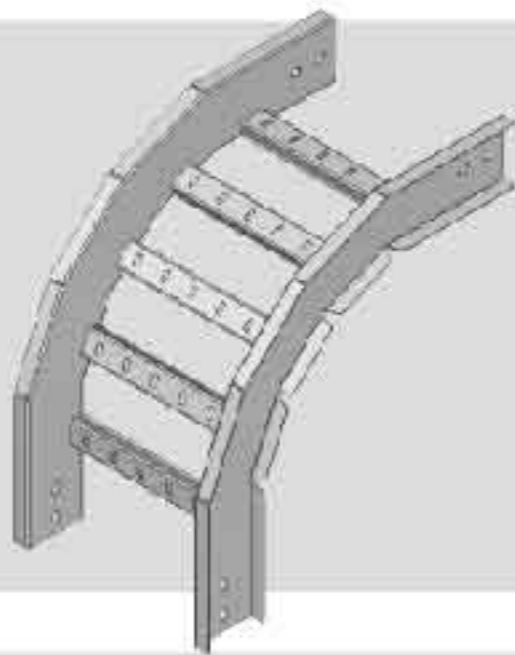
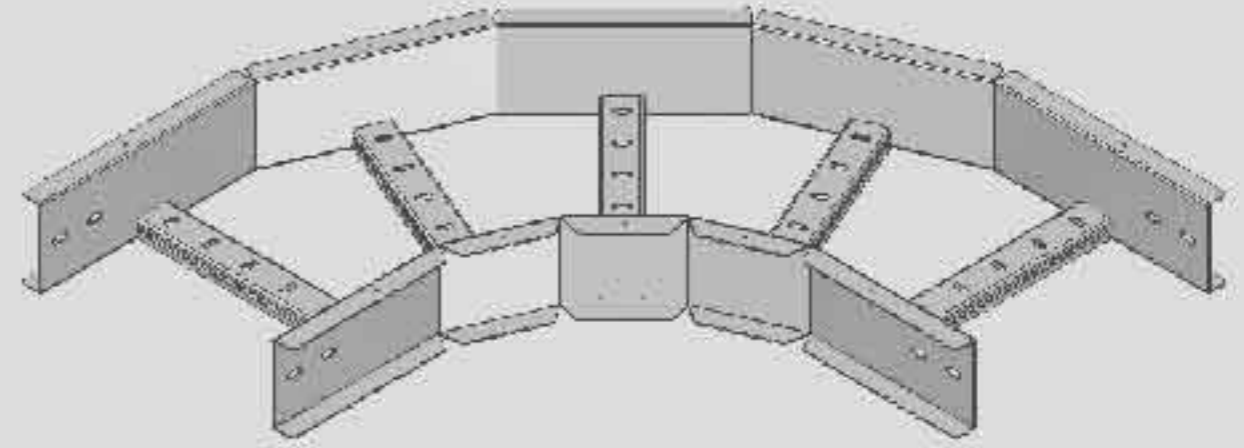


◀ **Straight Reducer**
SCL/C/O/WD AC-5

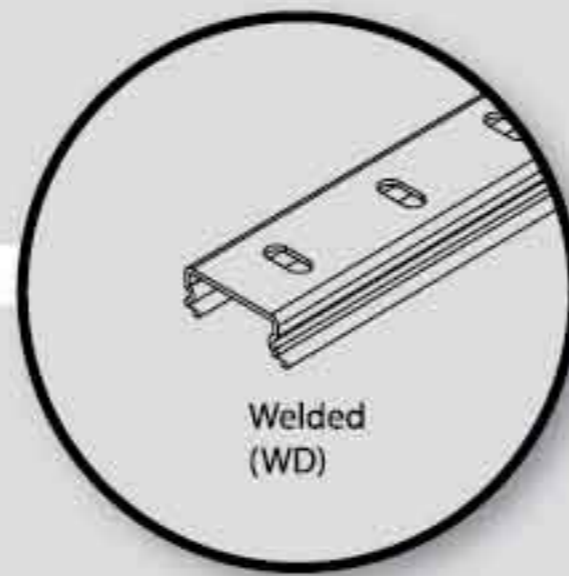
**Other design and sizes are available upon request.

"Type C - Outer" - WD 

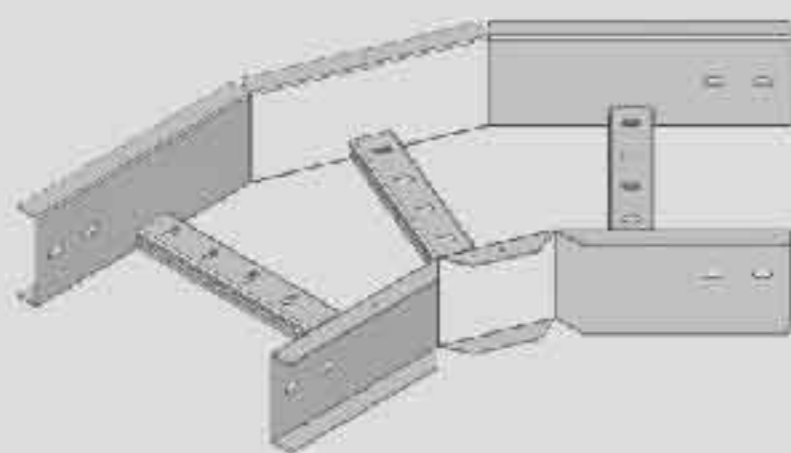
Flatwise Elbow ▶
SCL/C/O/WD AC-6



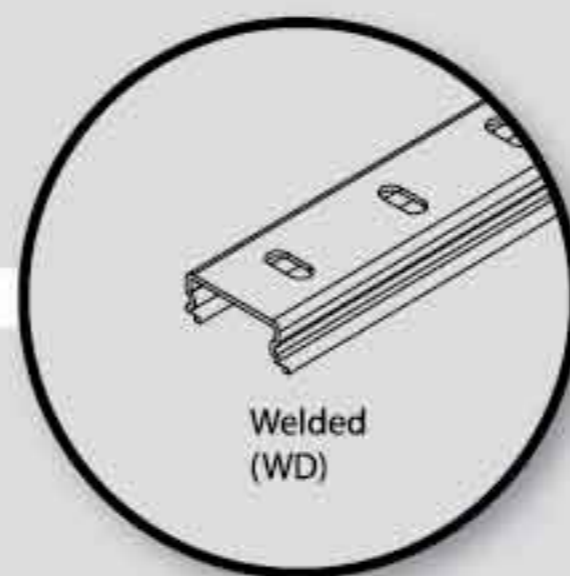
◀ Edgewise Elbow Left
SCL/C/O/WD AC-7



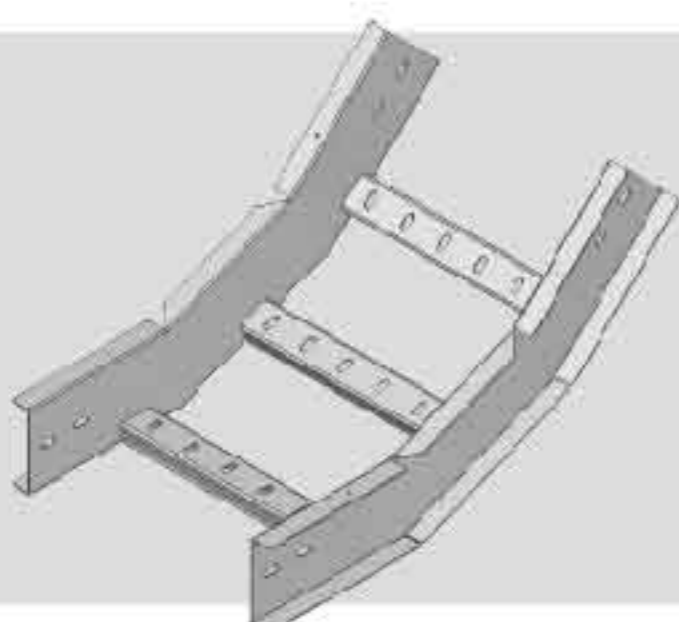
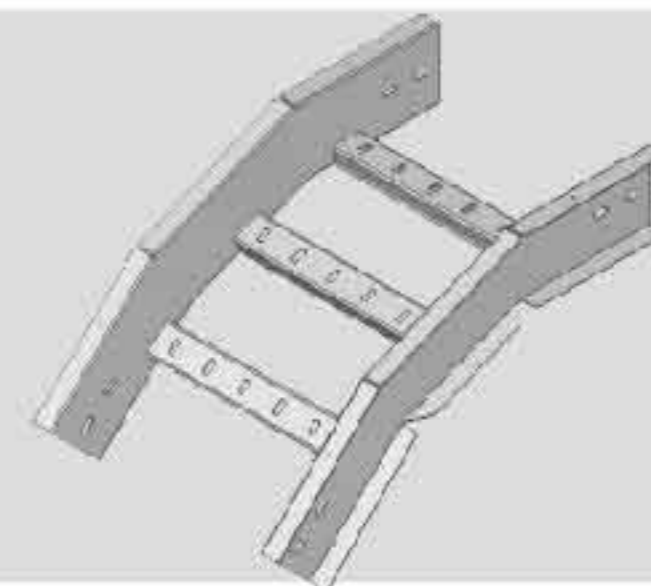
Edgewise Elbow Right ▶
SCL/C/O/WD AC-8



◀ Elbow Front
SCL/C/O/WD AC-9



Elbow Top ▶
SCL/C/O/WD AC-10



◀ Elbow Bottom
SCL/C/O/WD AC-11

**Other design and sizes are available upon request.

"Type C - Outer" - WD

(Corporate Office)



SIRIJAYA HOLDINGS BERHAD Co. No: 201001042568 (926496-T)

No.9, Lebuhr Perusahaan Klebang 9, IGB International Industrial Park, 31200 Chemor, Perak Darul Ridzuan.
Tel : +605-292 3888 (Hunting Line), 291 2223, 291 2225, 291 2226, 291 2228 Fax: +605-291 2221, 291 2222
Email: marketing@sirijaya.com Website: www.sirijaya.com

(Malaysia's subsidiaries / factories)

SIRIJAYA INDUSTRIES SDN. BHD. Co. No: 198601004670 (153828-D)

No.9, Lebuhr Perusahaan Klebang 9, IGB International Industrial Park, 31200 Chemor, Perak Darul Ridzuan.
Tel: +605-292 3888 (Hunting Line), 291 2223, 291 2228
Fax: +605-291 2221, 2912222
Email: marketing@sirijaya.com
Website : www.sirijaya.com

SIRIJAYA METAL SDN. BHD. Co. No: 200901031523 (874633-U)

No.9, Lebuhr Perusahaan Klebang 9, IGB International Industrial Park, 31200 Chemor, Perak Darul Ridzuan.
Tel: +605-292 3888 (Hunting Line), 291 2223, 291 2228
Fax: +605-291 2221, 2912222
Email: sjtrunk@sirijaya.com
Website : www.metal.sirijaya.com

(Malaysia's sales & marketing)

SNJ LITE TRADING SDN. BHD. Co. No: 199501042498 (371702-K)

No.9, Lebuhr Perusahaan Klebang 9, IGB International Industrial Park, 31200 Chemor, Perak Darul Ridzuan.
Tel: +605-292 3888 (Hunting Line), 291 2223, 291 2228
Fax: +605-291 2221, 2912222
Email: marketing@sirijaya.com
Website : www.sirijaya.com

SNJ PROJECT SDN. BHD. Co. No: 200801017186 (818479-U)

57-1 & 59-1, Jalan PJU 1/37, Block G, Dataran Prima,
47301, Petaling Jaya, Selangor, Malaysia
Tel: +603-7880 3634
Fax: +603-7880 3179
Email: marketing@sirijaya.com
Website : www.sirijaya.com

SJ LITE TECHNOLOGY SOLUTIONS SDN. BHD. Co. No: 201701013577 (1227742-U)

57-1 & 59-1, Jalan PJU 1/37, Block G, Dataran Prima,
47301, Petaling Jaya, Selangor, Malaysia
Tel: +603-7880 3634
Fax: +603-7880 3179
Email: sjtech@sirijaya.com
Website : www.sirijaya.com

(Singapore's subsidiary)

SJ LITE SINGAPORE PTE. LTD. Co. No: 200609376-E

5 Ubi Link #04-00 Singapore 408548.
Tel: +65-6844 3887
Fax: +65-6744 3886
Email: sjlite@singnet.com.sg



www.metal.sirijaya.com