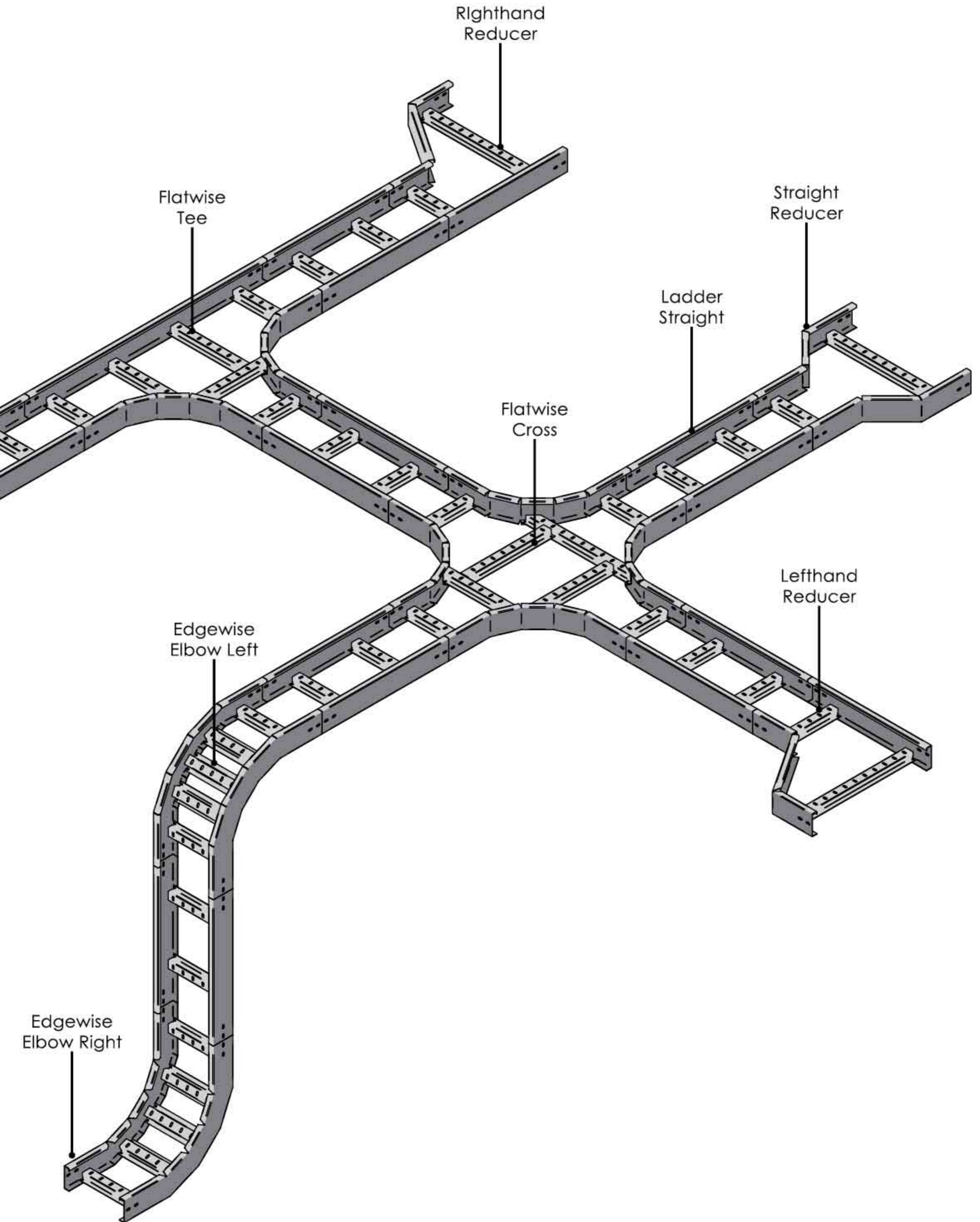
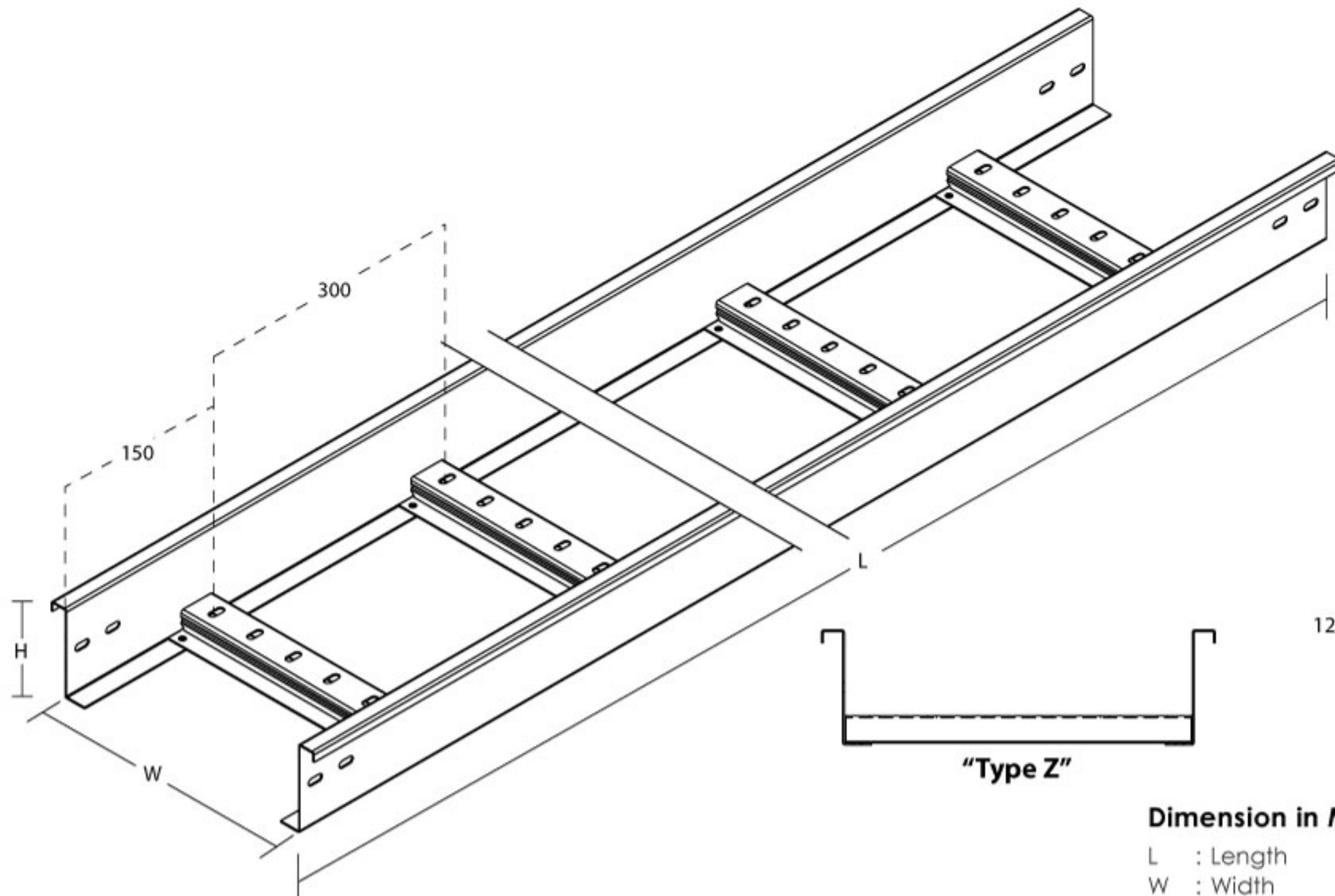


Cable Ladder System

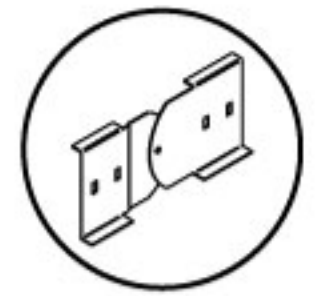
Cable ladder is system component used for cable support consisting of supporting side members, fixed to each other by means of rungs. Cable ladder is typically of stronger built and able to carry more load. The configuration is easy thus less accessories are required. One of the design advantages is it can get cable drops through the rungs and an extra riser is not required. Cable ladder are manufactured according to MS IEC 61537 standard.

Cable Ladder Profile

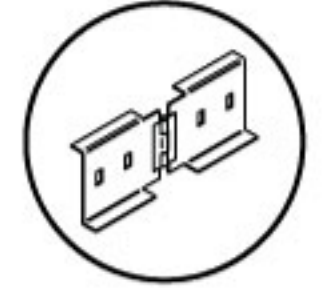




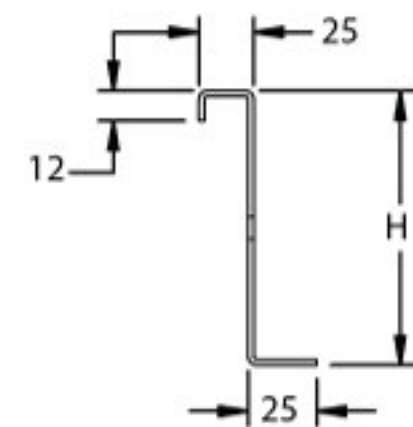
Optional Accessories



Vertical Adjustable Bracket



Horizontal Adjustable Bracket



Dimension in Millimeter (mm)

L : Length
W : Width
H : Height

Cable Ladder "Type Z" - Welded (WD)

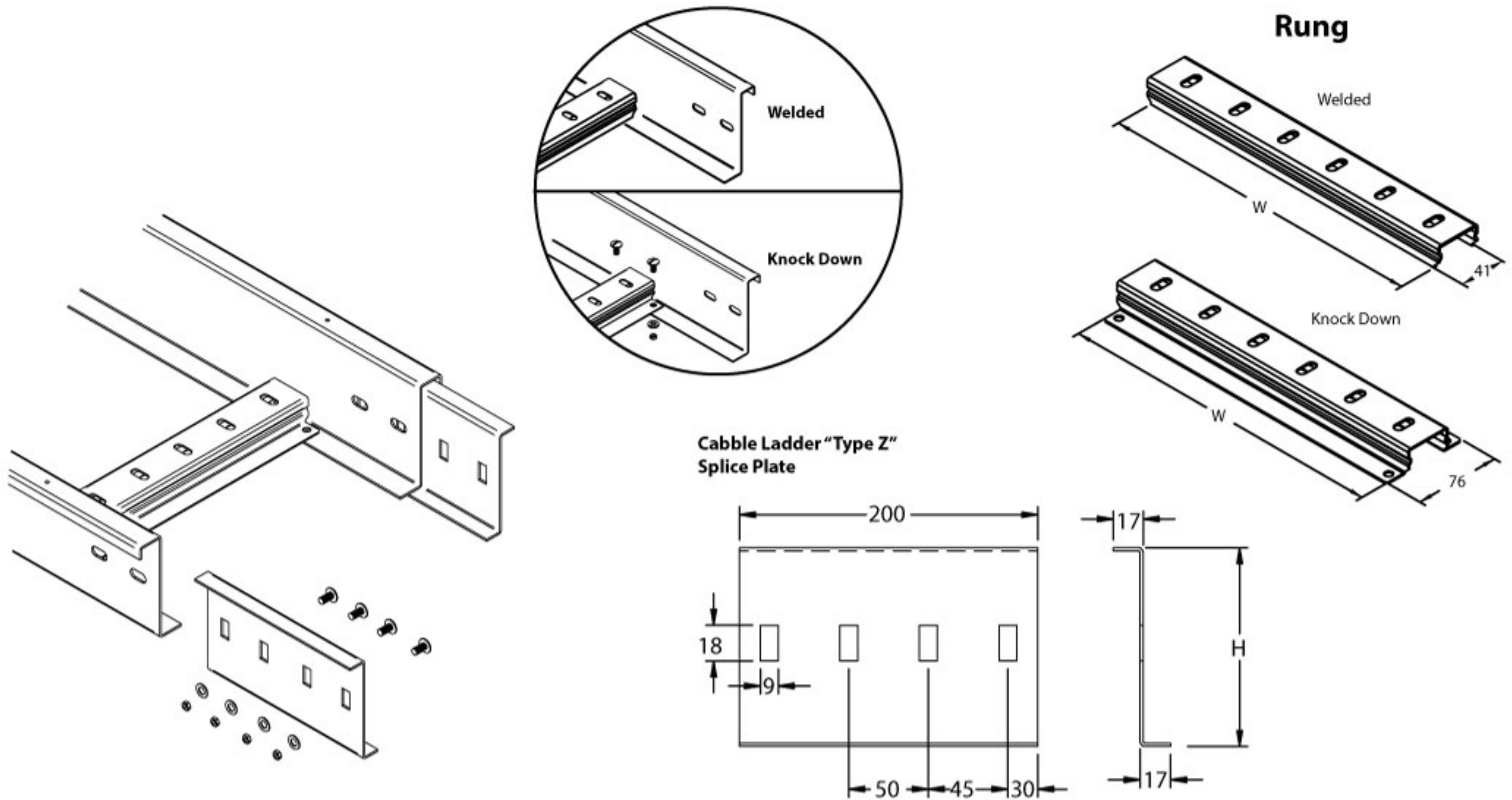
Model	Nominal Size (mm)		
	Body (LxWxH)	Splice Plate (H)	Thickness
SCL/Z-(150X50)-WD	2438 / 3000 x 150 x 50	49	2
SCL/Z-(200X50)-WD	2438 / 3000 x 200 x 50	49	2
SCL/Z-(250X50)-WD	2438 / 3000 x 250 x 50	49	2
SCL/Z-(300X50)-WD	2438 / 3000 x 300 x 50	49	2
SCL/Z-(150X75)-WD	2438 / 3000 x 150 x 75	74	2
SCL/Z-(200X75)-WD	2438 / 3000 x 200 x 75	74	2
SCL/Z-(250X75)-WD	2438 / 3000 x 250 x 75	74	2
SCL/Z-(300X75)-WD	2438 / 3000 x 300 x 75	74	2
SCL/Z-(450X75)-WD	2438 / 3000 x 450 x 75	74	2
SCL/Z-(600X75)-WD	2438 / 3000 x 600 x 75	74	2
SCL/Z-(900X75)-WD	2438 / 3000 x 900 x 75	74	2
SCL/Z-(150X100)-WD	2438 / 3000 x 150 x 100	99	2
SCL/Z-(200X100)-WD	2438 / 3000 x 200 x 100	99	2
SCL/Z-(250X100)-WD	2438 / 3000 x 250 x 100	99	2
SCL/Z-(300X100)-WD	2438 / 3000 x 300 x 100	99	2
SCL/Z-(400X100)-WD	2438 / 3000 x 400 x 100	99	2
SCL/Z-(450X100)-WD	2438 / 3000 x 450 x 100	99	2
SCL/Z-(500X100)-WD	2438 / 3000 x 500 x 100	99	2
SCL/Z-(600X100)-WD	2438 / 3000 x 600 x 100	99	2
SCL/Z-(750X100)-WD	2438 / 3000 x 750 x 100	99	2
SCL/Z-(900X100)-WD	2438 / 3000 x 900 x 100	99	2
SCL/Z-(1000X100)-WD	2438 / 3000 x 1000 x 100	99	2
SCL/Z-(200X125)-WD	2438 / 3000 x 200 x 125	124	2
SCL/Z-(250X125)-WD	2438 / 3000 x 250 x 125	124	2
SCL/Z-(300X125)-WD	2438 / 3000 x 300 x 125	124	2
SCL/Z-(400X125)-WD	2438 / 3000 x 400 x 125	124	2
SCL/Z-(450X125)-WD	2438 / 3000 x 450 x 125	124	2
SCL/Z-(500X125)-WD	2438 / 3000 x 500 x 125	124	2
SCL/Z-(600X125)-WD	2438 / 3000 x 600 x 125	124	2
SCL/Z-(750X125)-WD	2438 / 3000 x 750 x 125	124	2
SCL/Z-(900X125)-WD	2438 / 3000 x 900 x 125	124	2
SCL/Z-(1000X125)-WD	2438 / 3000 x 1000 x 125	124	2
SCL/Z-(200X150)-WD	2438 / 3000 x 200 x 150	149	2
SCL/Z-(250X150)-WD	2438 / 3000 x 250 x 150	149	2
SCL/Z-(300X150)-WD	2438 / 3000 x 300 x 150	149	2
SCL/Z-(400X150)-WD	2438 / 3000 x 400 x 150	149	2
SCL/Z-(450X150)-WD	2438 / 3000 x 450 x 150	149	2
SCL/Z-(500X150)-WD	2438 / 3000 x 500 x 150	149	2
SCL/Z-(600X150)-WD	2438 / 3000 x 600 x 150	149	2
SCL/Z-(750X150)-WD	2438 / 3000 x 750 x 150	149	2
SCL/Z-(900X150)-WD	2438 / 3000 x 900 x 150	149	2
SCL/Z-(1000X150)-WD	2438 / 3000 x 1000 x 150	149	2

**Specification subject to change without prior notice.
***Thickness Tolerance with + - 10%

*For order information, please refer page 17.

Cable Ladder System

Cable Ladder Straight "Type Z" (Welded / Knock Down)

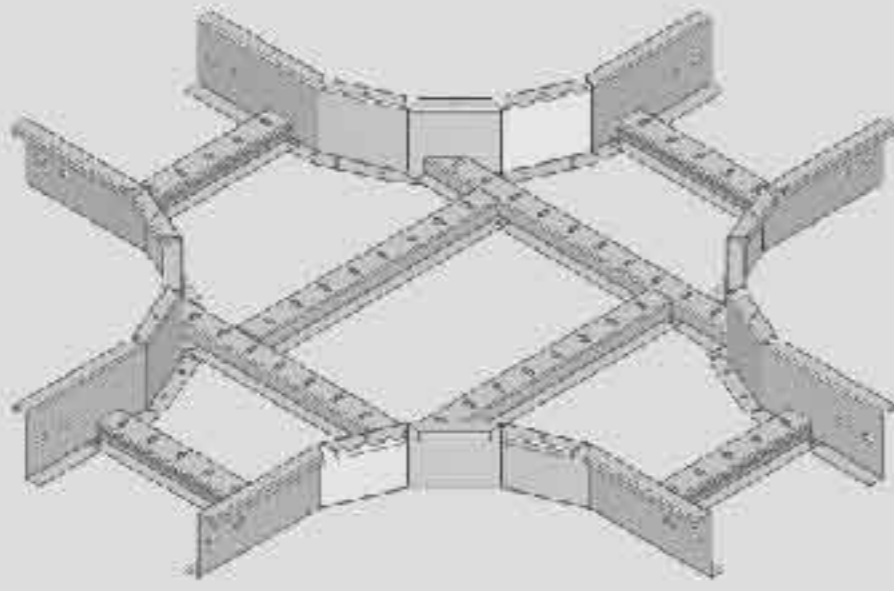


Cable Ladder "Type Z" - Knock Down (KD)

Model	Nominal Size (mm)		
	Body (LxWxH)	Splice Plate (H)	Thickness
SCL/Z-(150X50)-KD	2438 / 3000 x 150 x 50	49	2
SCL/Z-(200X50)-KD	2438 / 3000 x 200 x 50	49	2
SCL/Z-(250X50)-KD	2438 / 3000 x 250 x 50	49	2
SCL/Z-(300X50)-KD	2438 / 3000 x 300 x 50	49	2
SCL/Z-(150X75)-KD	2438 / 3000 x 150 x 75	74	2
SCL/Z-(200X75)-KD	2438 / 3000 x 200 x 75	74	2
SCL/Z-(250X75)-KD	2438 / 3000 x 250 x 75	74	2
SCL/Z-(300X75)-KD	2438 / 3000 x 300 x 75	74	2
SCL/Z-(450X75)-KD	2438 / 3000 x 450 x 75	74	2
SCL/Z-(600X75)-KD	2438 / 3000 x 600 x 75	74	2
SCL/Z-(900X75)-KD	2438 / 3000 x 900 x 75	74	2
SCL/Z-(150X100)-KD	2438 / 3000 x 150 x 100	99	2
SCL/Z-(200X100)-KD	2438 / 3000 x 200 x 100	99	2
SCL/Z-(250X100)-KD	2438 / 3000 x 250 x 100	99	2
SCL/Z-(300X100)-KD	2438 / 3000 x 300 x 100	99	2
SCL/Z-(400X100)-KD	2438 / 3000 x 400 x 100	99	2
SCL/Z-(450X100)-KD	2438 / 3000 x 450 x 100	99	2
SCL/Z-(500X100)-KD	2438 / 3000 x 500 x 100	99	2
SCL/Z-(600X100)-KD	2438 / 3000 x 600 x 100	99	2
SCL/Z-(750X100)-KD	2438 / 3000 x 750 x 100	99	2
SCL/Z-(900X100)-KD	2438 / 3000 x 900 x 100	99	2
SCL/Z-(1000X100)-KD	2438 / 3000 x 1000 x 100	99	2
SCL/Z-(200X125)-KD	2438 / 3000 x 200 x 125	124	2
SCL/Z-(250X125)-KD	2438 / 3000 x 250 x 125	124	2
SCL/Z-(300X125)-KD	2438 / 3000 x 300 x 125	124	2
SCL/Z-(400X125)-KD	2438 / 3000 x 400 x 125	124	2
SCL/Z-(450X125)-KD	2438 / 3000 x 450 x 125	124	2
SCL/Z-(500X125)-KD	2438 / 3000 x 500 x 125	124	2
SCL/Z-(600X125)-KD	2438 / 3000 x 600 x 125	124	2
SCL/Z-(750X125)-KD	2438 / 3000 x 750 x 125	124	2
SCL/Z-(900X125)-KD	2438 / 3000 x 900 x 125	124	2
SCL/Z-(1000X125)-KD	2438 / 3000 x 1000 x 125	124	2
SCL/Z-(200X150)-KD	2438 / 3000 x 200 x 150	149	2
SCL/Z-(250X150)-KD	2438 / 3000 x 250 x 150	149	2
SCL/Z-(300X150)-KD	2438 / 3000 x 300 x 150	149	2
SCL/Z-(400X150)-KD	2438 / 3000 x 400 x 150	149	2
SCL/Z-(450X150)-KD	2438 / 3000 x 450 x 150	149	2
SCL/Z-(500X150)-KD	2438 / 3000 x 500 x 150	149	2
SCL/Z-(600X150)-KD	2438 / 3000 x 600 x 150	149	2
SCL/Z-(750X150)-KD	2438 / 3000 x 750 x 150	149	2
SCL/Z-(900X150)-KD	2438 / 3000 x 900 x 150	149	2
SCL/Z-(1000X150)-KD	2438 / 3000 x 1000 x 150	149	2

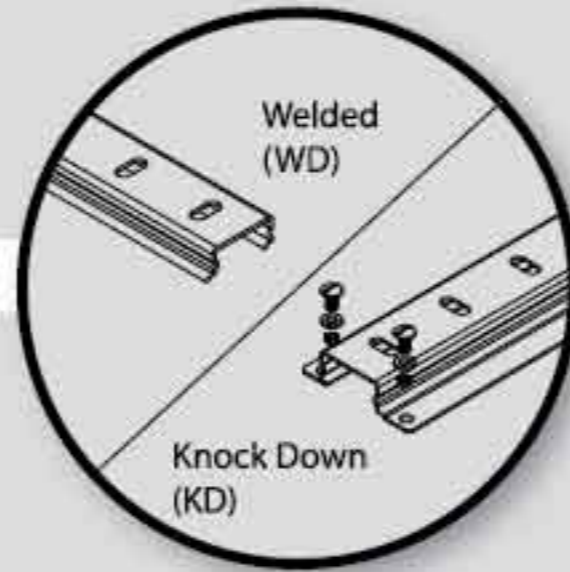
**Specification subject to change without prior notice.
 ***Thickness Tolerance with + - 10%

*For order information, please refer page 17.



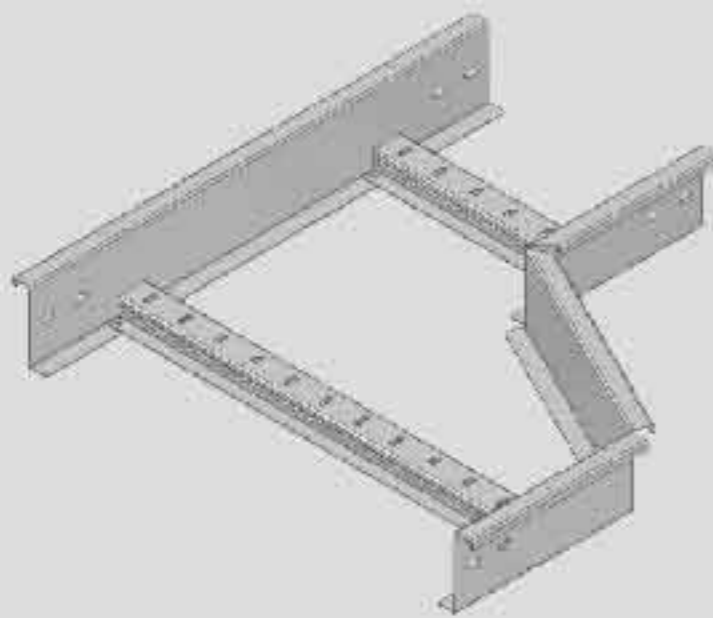
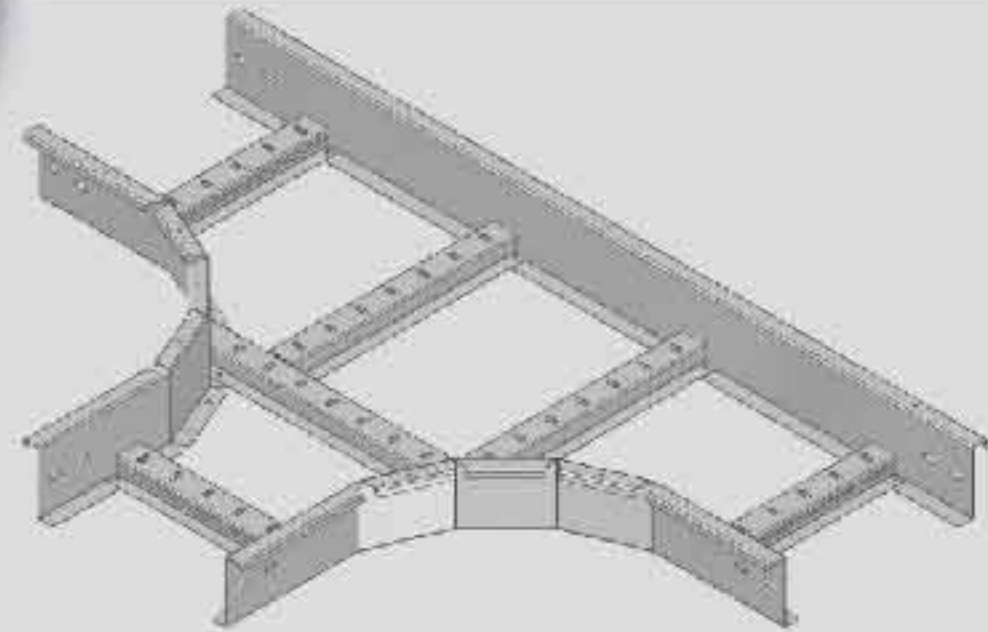
◀ **Flatwise Cross**

SCL/Z/WD AC-1
SCL/Z/KD AC-1



Flatwise Tee ▶

SCL/Z/WD AC-2
SCL/Z/KD AC-2

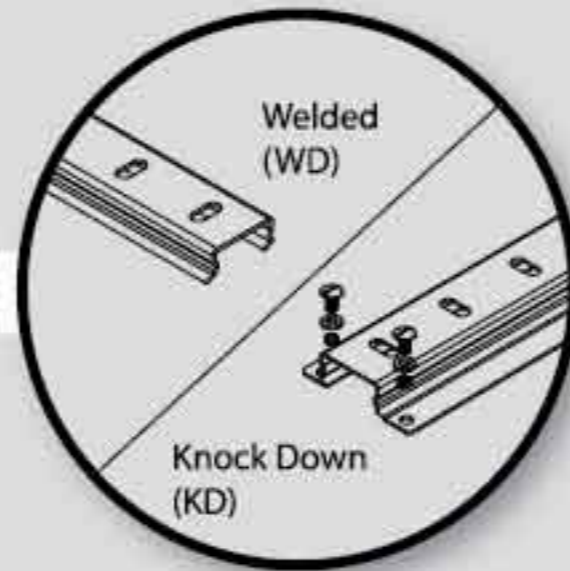
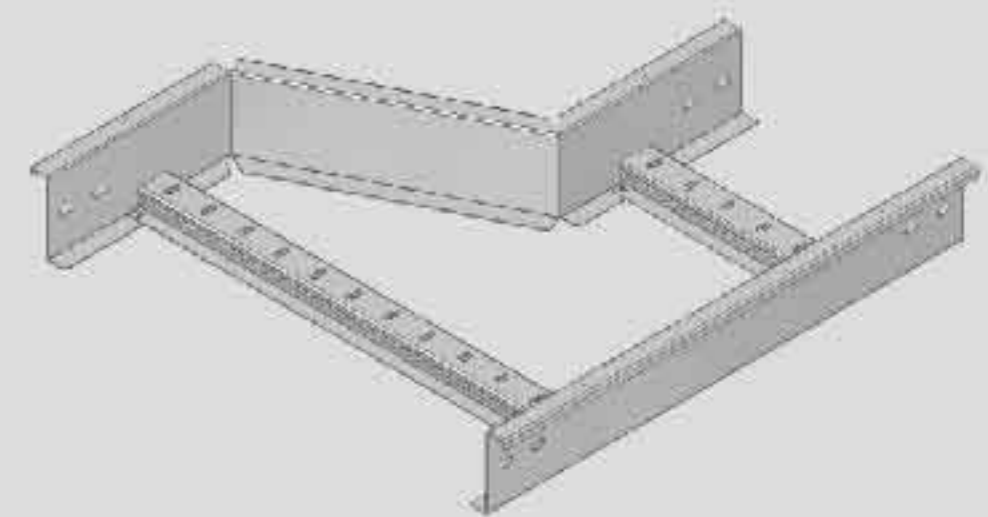


◀ **Righthand Reducer**

SCL/Z/WD AC-3
SCL/Z/KD AC-3

Lefthand Reducer ▶

SCL/Z/WD AC-4
SCL/Z/KD AC-4



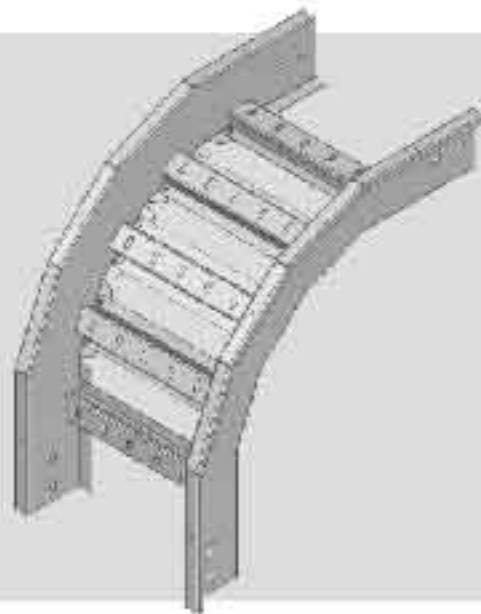
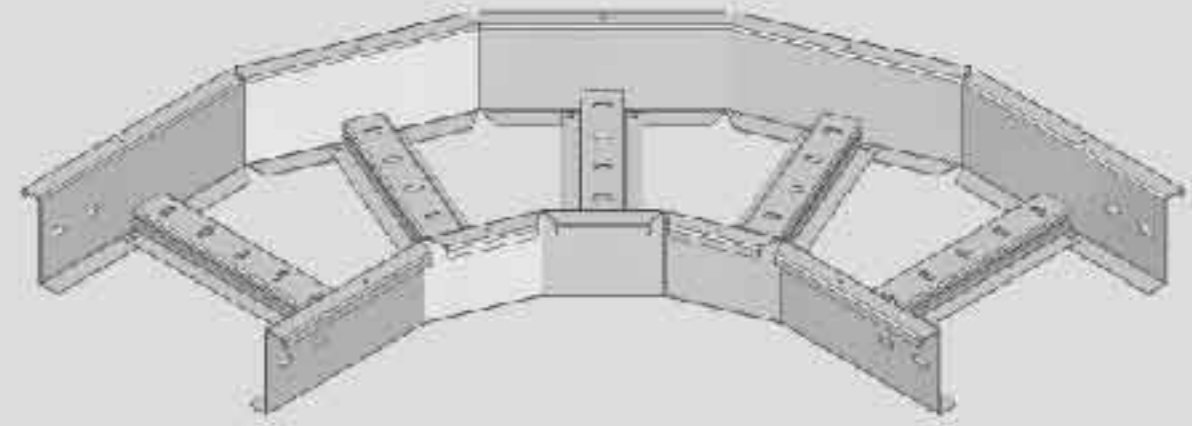
◀ **Straight Reducer**

SCL/Z/WD AC-5
SCL/Z/KD AC-5

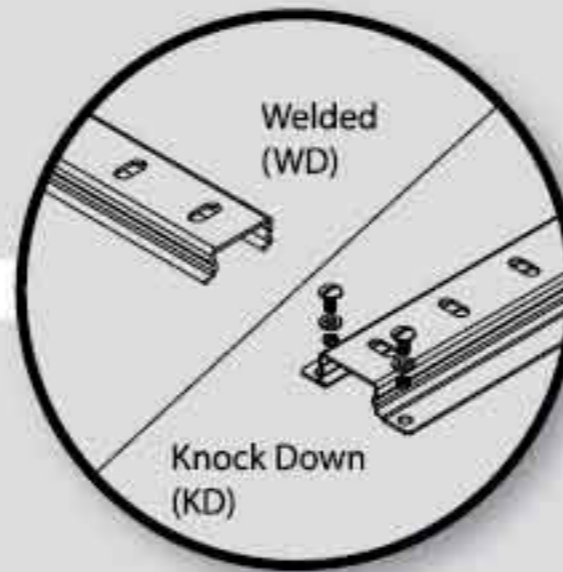
**Other design and sizes are available upon request.

"Type Z" - WD/KD 

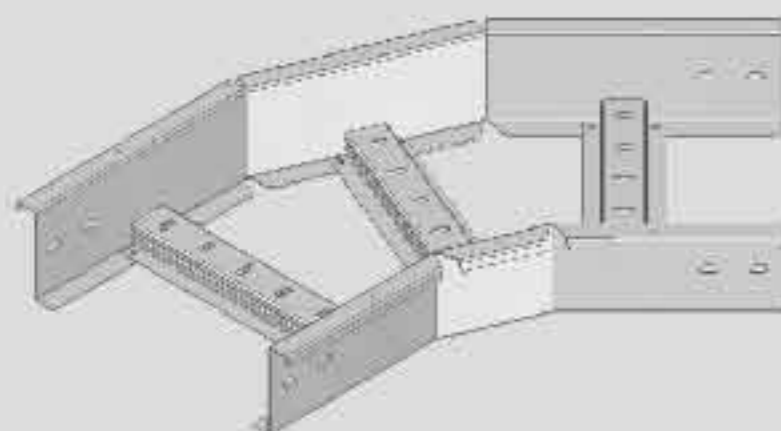
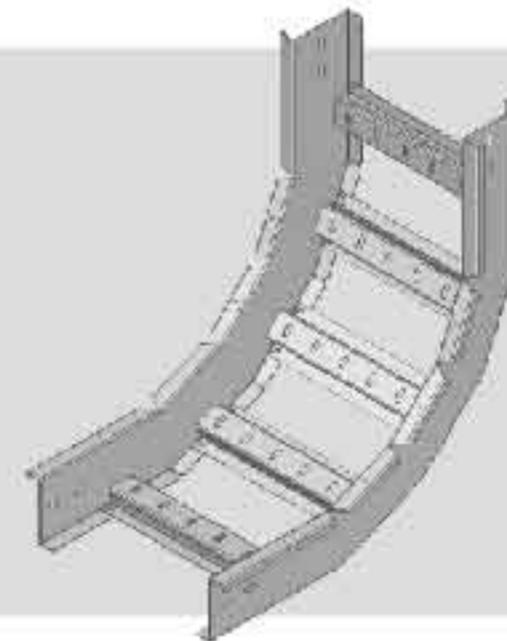
Flatwise Elbow ▶
 SCL/Z/WD AC-6
 SCL/Z/KD AC-6



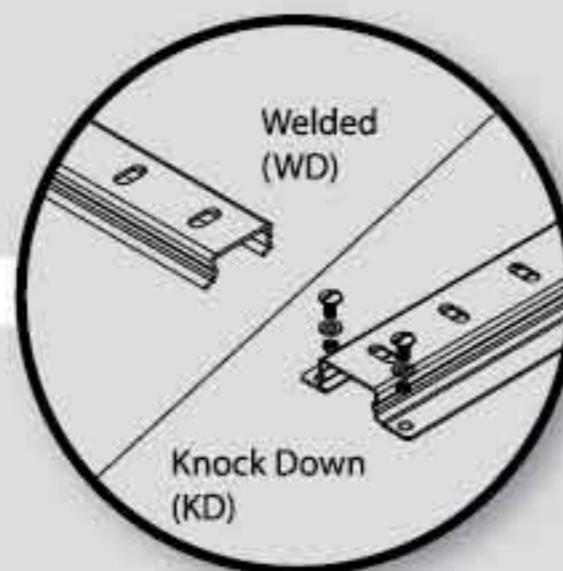
◀ Edgewise Elbow Left
 SCL/Z/WD AC-7
 SCL/Z/KD AC-7



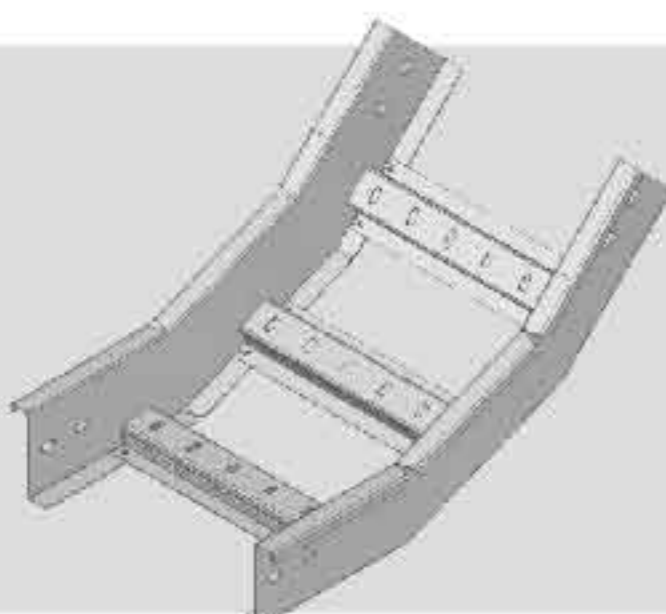
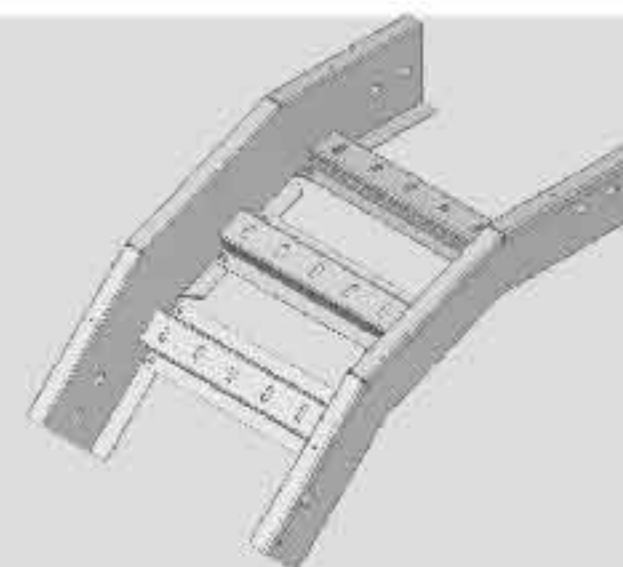
Edgewise Elbow Right ▶
 SCL/Z/WD AC-8
 SCL/Z/KD AC-8



◀ Elbow Front
 SCL/Z/WD AC-9
 SCL/Z/KD AC-9



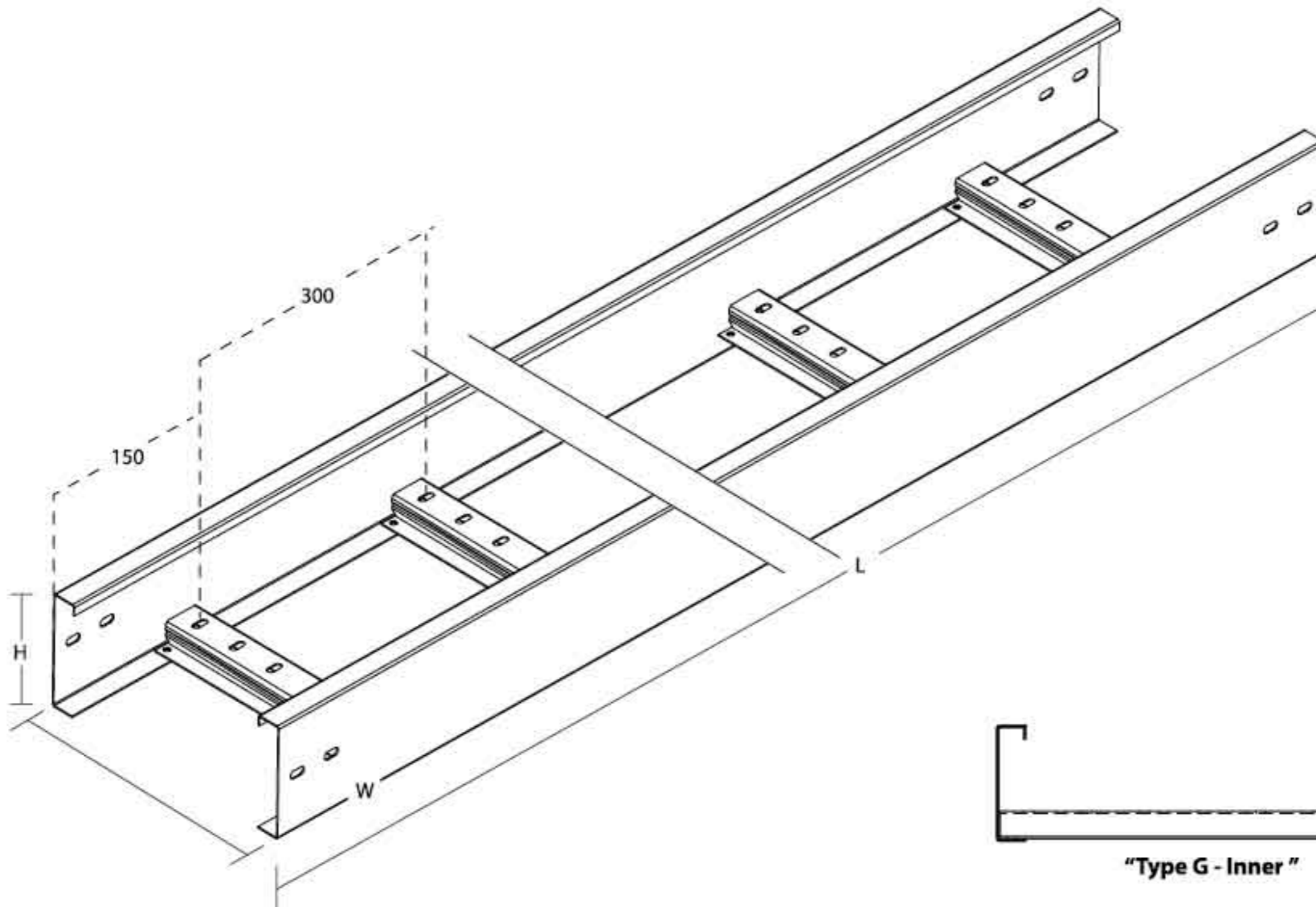
Elbow Top ▶
 SCL/Z/WD AC-10
 SCL/Z/KD AC-10



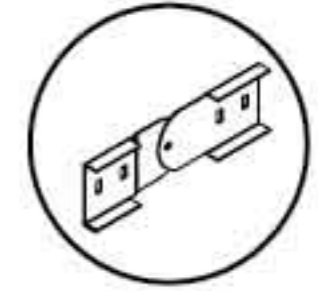
◀ Elbow Bottom
 SCL/Z/WD AC-11
 SCL/Z/KD AC-11

**Other design and sizes are available upon request.

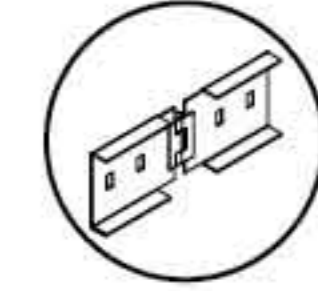
"Type Z" - WD/KD



Optional Accessories



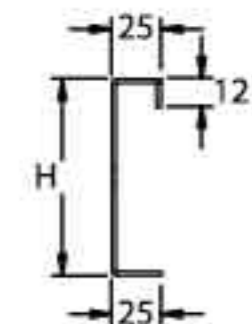
Vertical Adjustable Bracket



Horizontal Adjustable Bracket



"Type G - Inner"



Cable Ladder "Type G - Inner" - Welded (WD)

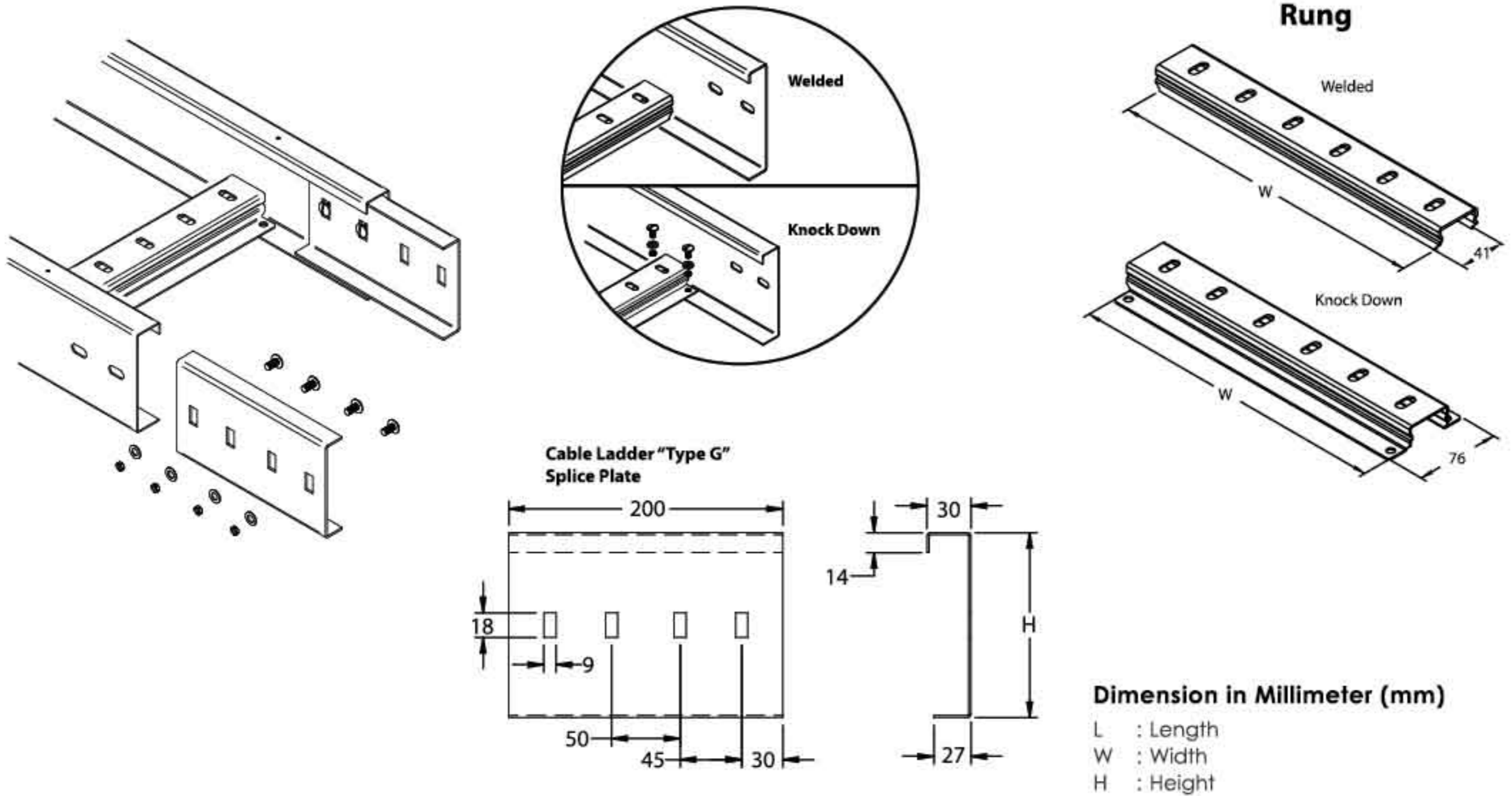
Model	Nominal Size (mm)		
	Body (LxWxH)	Splice Plate (H)	Thickness
SCL/G/I-(150X50)-WD	2438 / 3000 x 150 x 50	45	2
SCL/G/I-(200X50)-WD	2438 / 3000 x 200 x 50	45	2
SCL/G/I-(250X50)-WD	2438 / 3000 x 250 x 50	45	2
SCL/G/I-(300X50)-WD	2438 / 3000 x 300 x 50	45	2
SCL/G/I-(150X75)-WD	2438 / 3000 x 150 x 75	70	2
SCL/G/I-(200X75)-WD	2438 / 3000 x 200 x 75	70	2
SCL/G/I-(250X75)-WD	2438 / 3000 x 250 x 75	70	2
SCL/G/I-(300X75)-WD	2438 / 3000 x 300 x 75	70	2
SCL/G/I-(450X75)-WD	2438 / 3000 x 450 x 75	70	2
SCL/G/I-(600X75)-WD	2438 / 3000 x 600 x 75	70	2
SCL/G/I-(900X75)-WD	2438 / 3000 x 900 x 75	70	2
SCL/G/I-(150X100)-WD	2438 / 3000 x 150 x 100	95	2
SCL/G/I-(200X100)-WD	2438 / 3000 x 200 x 100	95	2
SCL/G/I-(250X100)-WD	2438 / 3000 x 250 x 100	95	2
SCL/G/I-(300X100)-WD	2438 / 3000 x 300 x 100	95	2
SCL/G/I-(400X100)-WD	2438 / 3000 x 400 x 100	95	2
SCL/G/I-(450X100)-WD	2438 / 3000 x 450 x 100	95	2
SCL/G/I-(500X100)-WD	2438 / 3000 x 500 x 100	95	2
SCL/G/I-(600X100)-WD	2438 / 3000 x 600 x 100	95	2
SCL/G/I-(750X100)-WD	2438 / 3000 x 750 x 100	95	2
SCL/G/I-(900X100)-WD	2438 / 3000 x 900 x 100	95	2
SCL/G/I-(1000X100)-WD	2438 / 3000 x 1000 x 100	95	2
SCL/G/I-(200X125)-WD	2438 / 3000 x 200 x 125	120	2
SCL/G/I-(250X125)-WD	2438 / 3000 x 250 x 125	120	2
SCL/G/I-(300X125)-WD	2438 / 3000 x 300 x 125	120	2
SCL/G/I-(400X125)-WD	2438 / 3000 x 400 x 125	120	2
SCL/G/I-(450X125)-WD	2438 / 3000 x 450 x 125	120	2
SCL/G/I-(500X125)-WD	2438 / 3000 x 500 x 125	120	2
SCL/G/I-(600X125)-WD	2438 / 3000 x 600 x 125	120	2
SCL/G/I-(750X125)-WD	2438 / 3000 x 750 x 125	120	2
SCL/G/I-(900X125)-WD	2438 / 3000 x 900 x 125	120	2
SCL/G/I-(1000X125)-WD	2438 / 3000 x 1000 x 125	120	2
SCL/G/I-(200X150)-WD	2438 / 3000 x 200 x 150	145	2
SCL/G/I-(250X150)-WD	2438 / 3000 x 250 x 150	145	2
SCL/G/I-(300X150)-WD	2438 / 3000 x 300 x 150	145	2
SCL/G/I-(400X150)-WD	2438 / 3000 x 400 x 150	145	2
SCL/G/I-(450X150)-WD	2438 / 3000 x 450 x 150	145	2
SCL/G/I-(500X150)-WD	2438 / 3000 x 500 x 150	145	2
SCL/G/I-(600X150)-WD	2438 / 3000 x 600 x 150	145	2
SCL/G/I-(750X150)-WD	2438 / 3000 x 750 x 150	145	2
SCL/G/I-(900X150)-WD	2438 / 3000 x 900 x 150	145	2
SCL/G/I-(1000X150)-WD	2438 / 3000 x 1000 x 150	145	2

**Specification subject to change without prior notice.
 ***Thickness Tolerance with + - 10%

*For order information, please refer page 17.

Cable Ladder System

Cable Ladder Straight "Type G - Inner" (Welded / Knock Down)

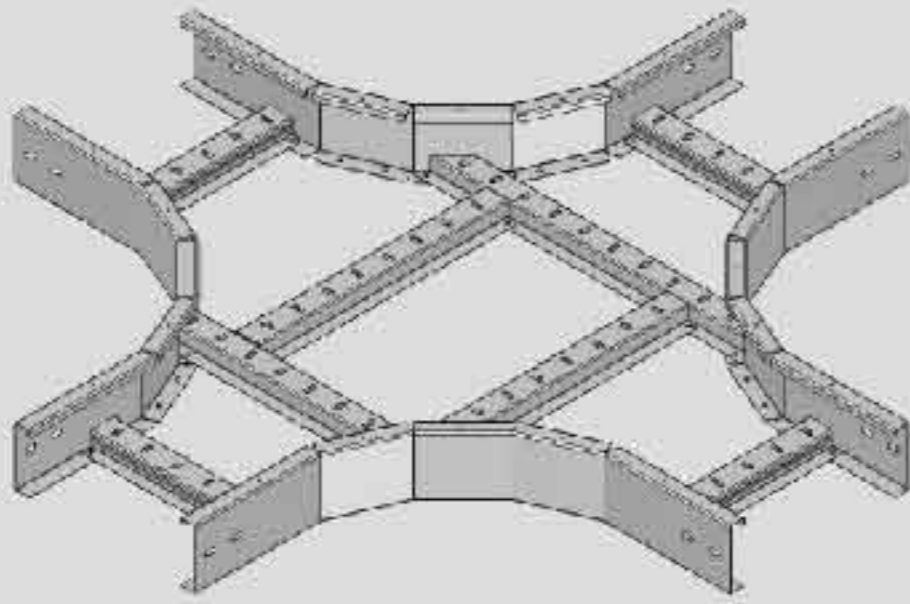


Cable Ladder "Type G - Inner" - Knock Down (KD)

Model	Nominal Size (mm)		
	Body (LxWxH)	Splice Plate (H)	Thickness
SCL/G/I-(150X50)-KD	2438 / 3000 x 150 x 50	45	2
SCL/G/I-(200X50)-KD	2438 / 3000 x 200 x 50	45	2
SCL/G/I-(250X50)-KD	2438 / 3000 x 250 x 50	45	2
SCL/G/I-(300X50)-KD	2438 / 3000 x 300 x 50	45	2
SCL/G/I-(150X75)-KD	2438 / 3000 x 150 x 75	70	2
SCL/G/I-(200X75)-KD	2438 / 3000 x 200 x 75	70	2
SCL/G/I-(250X75)-KD	2438 / 3000 x 250 x 75	70	2
SCL/G/I-(300X75)-KD	2438 / 3000 x 300 x 75	70	2
SCL/G/I-(450X75)-KD	2438 / 3000 x 450 x 75	70	2
SCL/G/I-(600X75)-KD	2438 / 3000 x 600 x 75	70	2
SCL/G/I-(900X75)-KD	2438 / 3000 x 900 x 75	70	2
SCL/G/I-(150X100)-KD	2438 / 3000 x 150 x 100	95	2
SCL/G/I-(200X100)-KD	2438 / 3000 x 200 x 100	95	2
SCL/G/I-(250X100)-KD	2438 / 3000 x 250 x 100	95	2
SCL/G/I-(300X100)-KD	2438 / 3000 x 300 x 100	95	2
SCL/G/I-(400X100)-KD	2438 / 3000 x 400 x 100	95	2
SCL/G/I-(450X100)-KD	2438 / 3000 x 450 x 100	95	2
SCL/G/I-(500X100)-KD	2438 / 3000 x 500 x 100	95	2
SCL/G/I-(600X100)-KD	2438 / 3000 x 600 x 100	95	2
SCL/G/I-(750X100)-KD	2438 / 3000 x 750 x 100	95	2
SCL/G/I-(900X100)-KD	2438 / 3000 x 900 x 100	95	2
SCL/G/I-(1000X100)-KD	2438 / 3000 x 1000 x 100	95	2
SCL/G/I-(200X125)-KD	2438 / 3000 x 200 x 125	120	2
SCL/G/I-(250X125)-KD	2438 / 3000 x 250 x 125	120	2
SCL/G/I-(300X125)-KD	2438 / 3000 x 300 x 125	120	2
SCL/G/I-(400X125)-KD	2438 / 3000 x 400 x 125	120	2
SCL/G/I-(450X125)-KD	2438 / 3000 x 450 x 125	120	2
SCL/G/I-(500X125)-KD	2438 / 3000 x 500 x 125	120	2
SCL/G/I-(600X125)-KD	2438 / 3000 x 600 x 125	120	2
SCL/G/I-(750X125)-KD	2438 / 3000 x 750 x 125	120	2
SCL/G/I-(900X125)-KD	2438 / 3000 x 900 x 125	120	2
SCL/G/I-(1000X125)-KD	2438 / 3000 x 1000 x 125	120	2
SCL/G/I-(200X150)-KD	2438 / 3000 x 200 x 150	145	2
SCL/G/I-(250X150)-KD	2438 / 3000 x 250 x 150	145	2
SCL/G/I-(300X150)-KD	2438 / 3000 x 300 x 150	145	2
SCL/G/I-(400X150)-KD	2438 / 3000 x 400 x 150	145	2
SCL/G/I-(450X150)-KD	2438 / 3000 x 450 x 150	145	2
SCL/G/I-(500X150)-KD	2438 / 3000 x 500 x 150	145	2
SCL/G/I-(600X150)-KD	2438 / 3000 x 600 x 150	145	2
SCL/G/I-(750X150)-KD	2438 / 3000 x 750 x 150	145	2
SCL/G/I-(900X150)-KD	2438 / 3000 x 900 x 150	145	2
SCL/G/I-(1000X150)-KD	2438 / 3000 x 1000 x 150	145	2

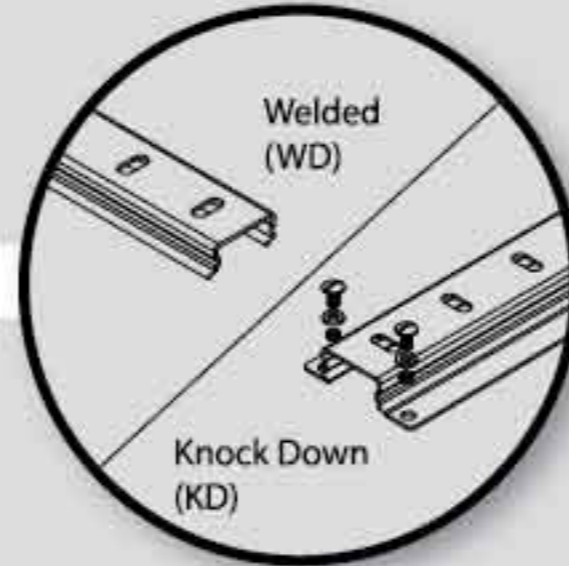
**Specification subject to change without prior notice.
 ***Thickness Tolerance with + - 10%

*For order information, please refer page 17.



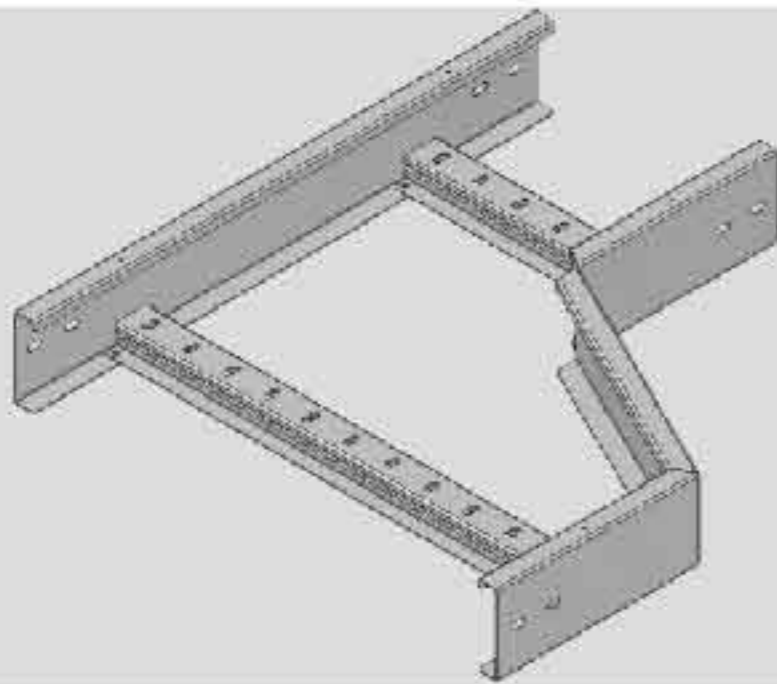
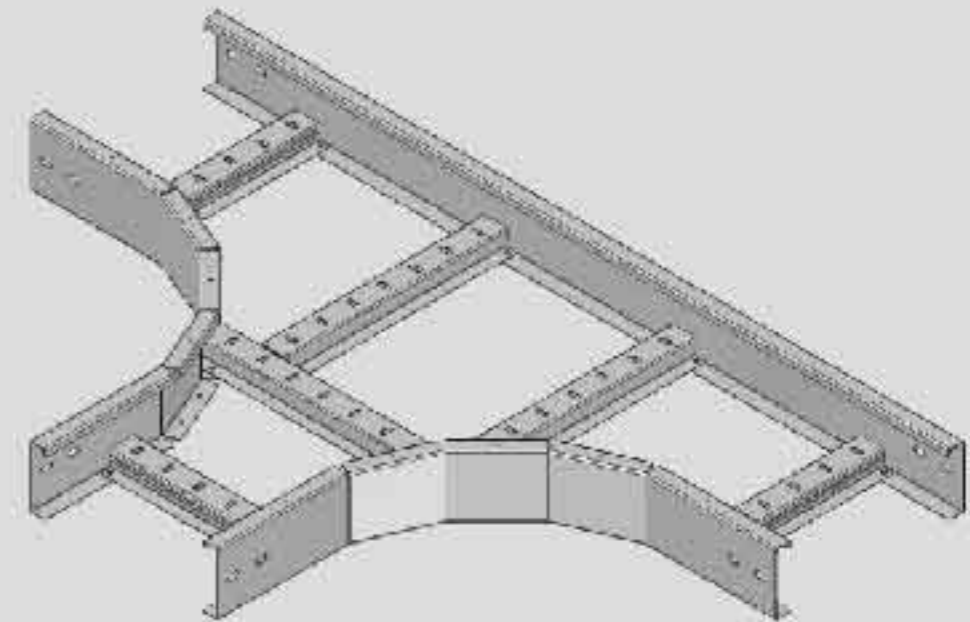
◀ **Flatwise Cross**

SCL/G//WD AC-1
SCL/G//KD AC-1



Flatwise Tee ▶

SCL/G//WD AC-2
SCL/G//KD AC-2

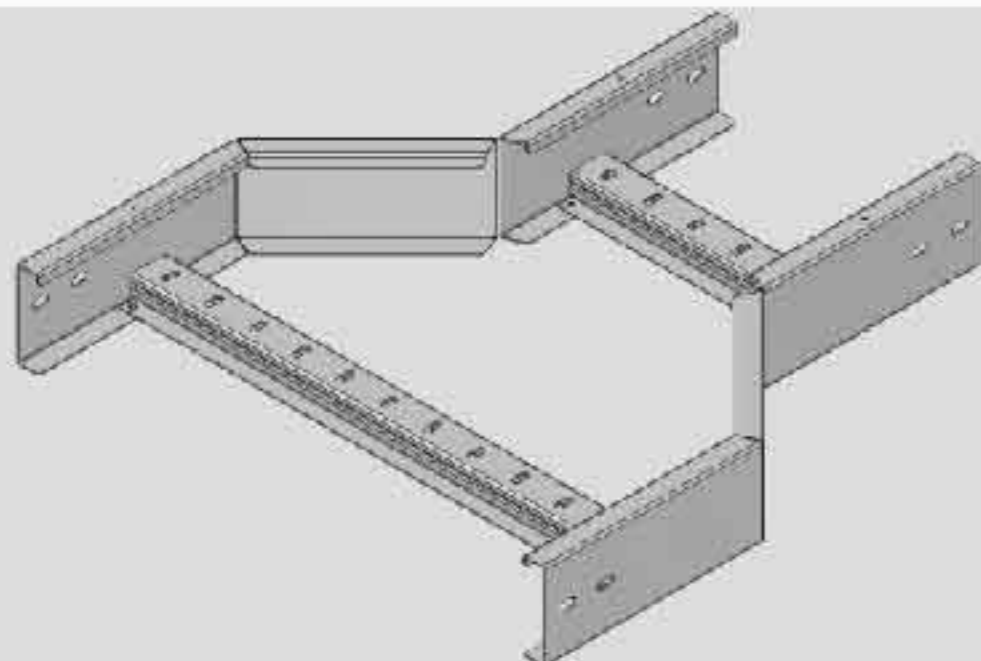
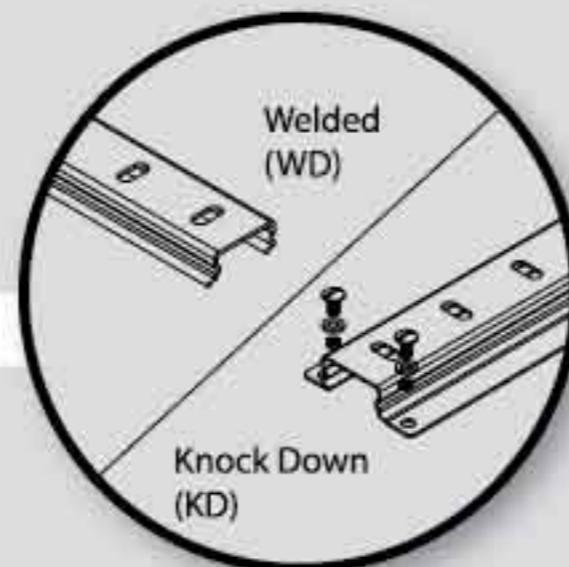
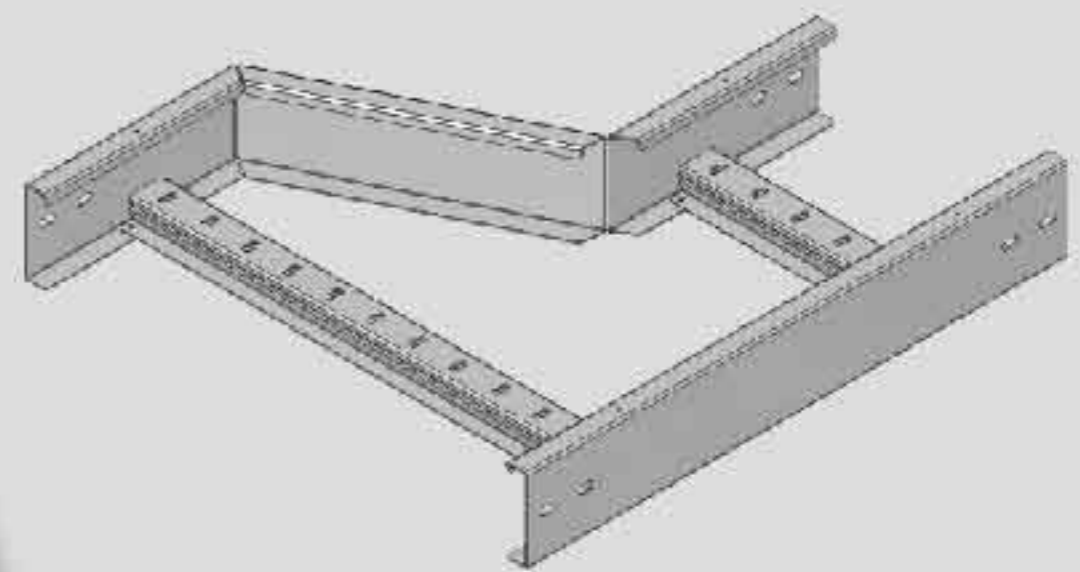


◀ **Righthand Reducer**

SCL/G//WD AC-3
SCL/G//KD AC-3

Lefthand Reducer ▶

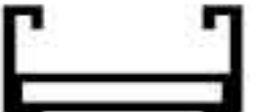
SCL/G//WD AC-4
SCL/G//KD AC-4



◀ **Straight Reducer**

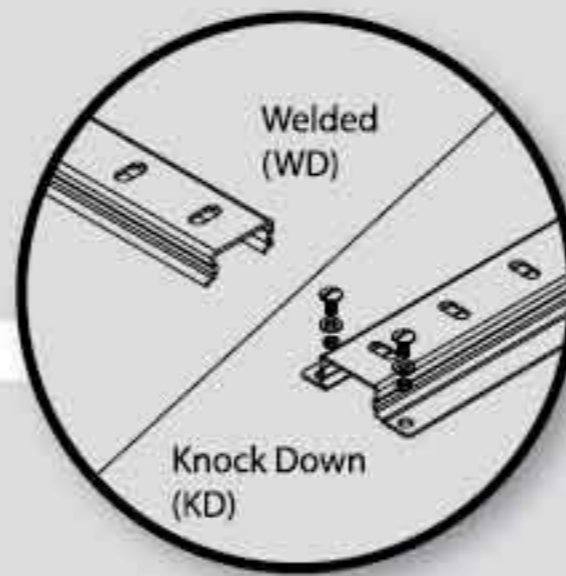
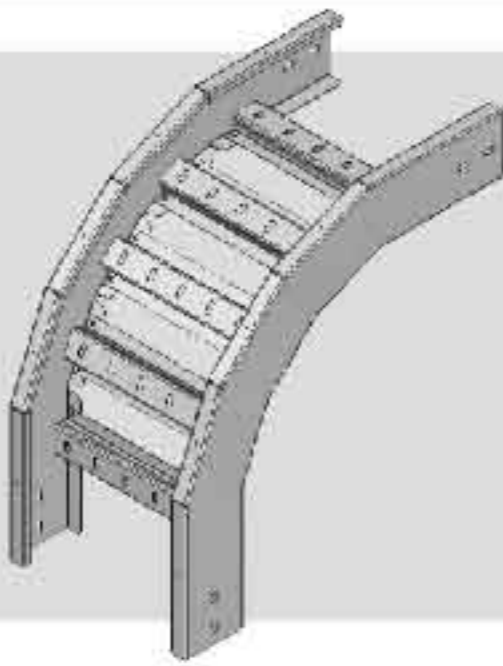
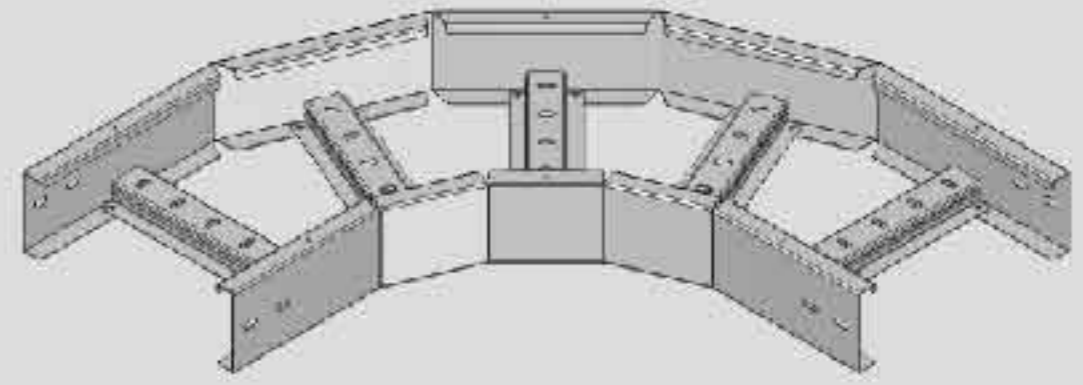
SCL/G//WD AC-5
SCL/G//KD AC-5

**Other design and sizes are available upon request.

"Type G - Inner" - WD/KD 

Flatwise Elbow ▶

SCL/G/I/WD AC-6
SCL/G/I/KD AC-6

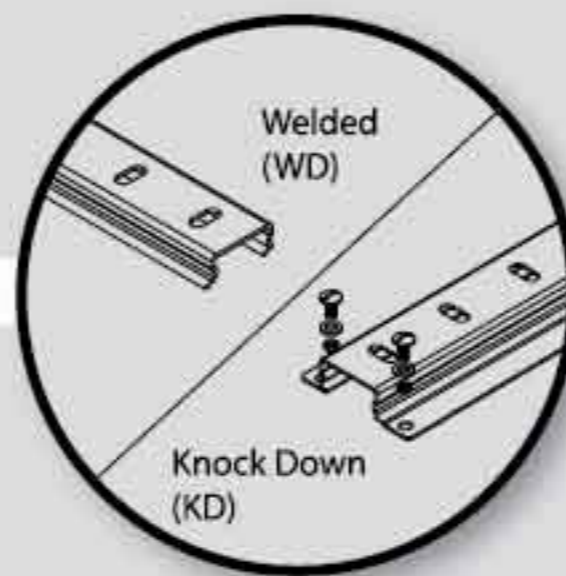
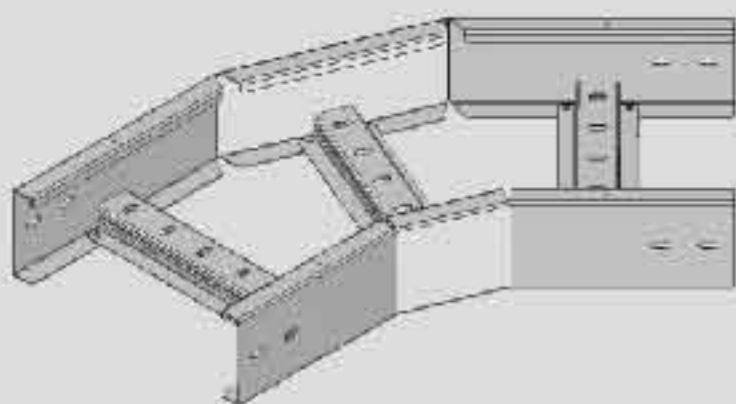
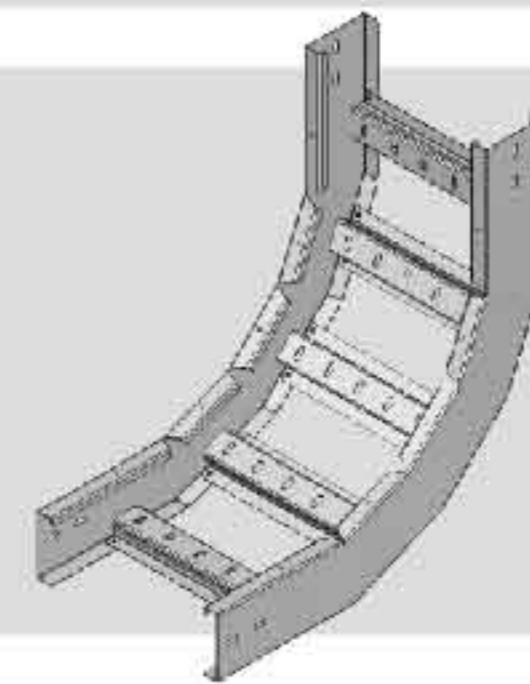


◀ Edgewise Elbow Left

SCL/G/I/WD AC-7
SCL/G/I/KD AC-7

Edgewise Elbow Right ▶

SCL/G/I/WD AC-8
SCL/G/I/KD AC-8

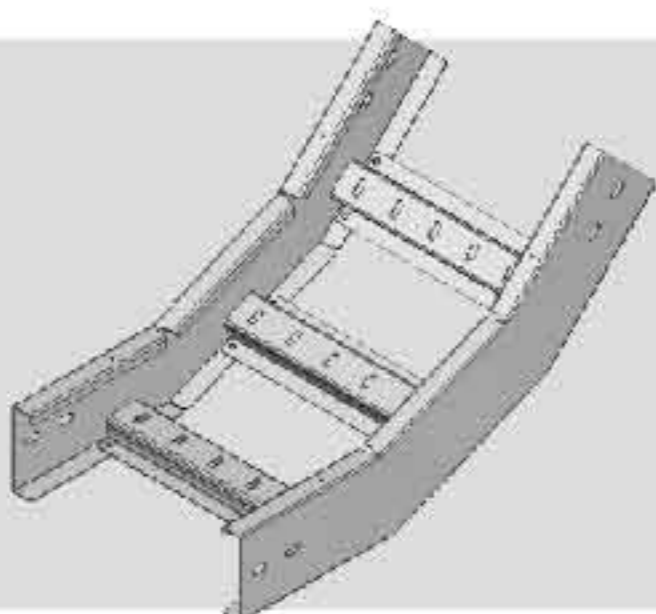
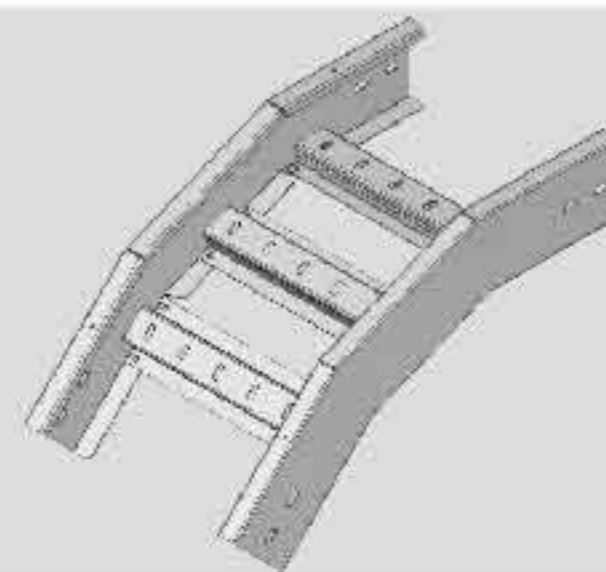


◀ Elbow Front

SCL/G/I/WD AC-9
SCL/G/I/KD AC-9

Elbow Top ▶

SCL/G/I/WD AC-10
SCL/G/I/KD AC-10

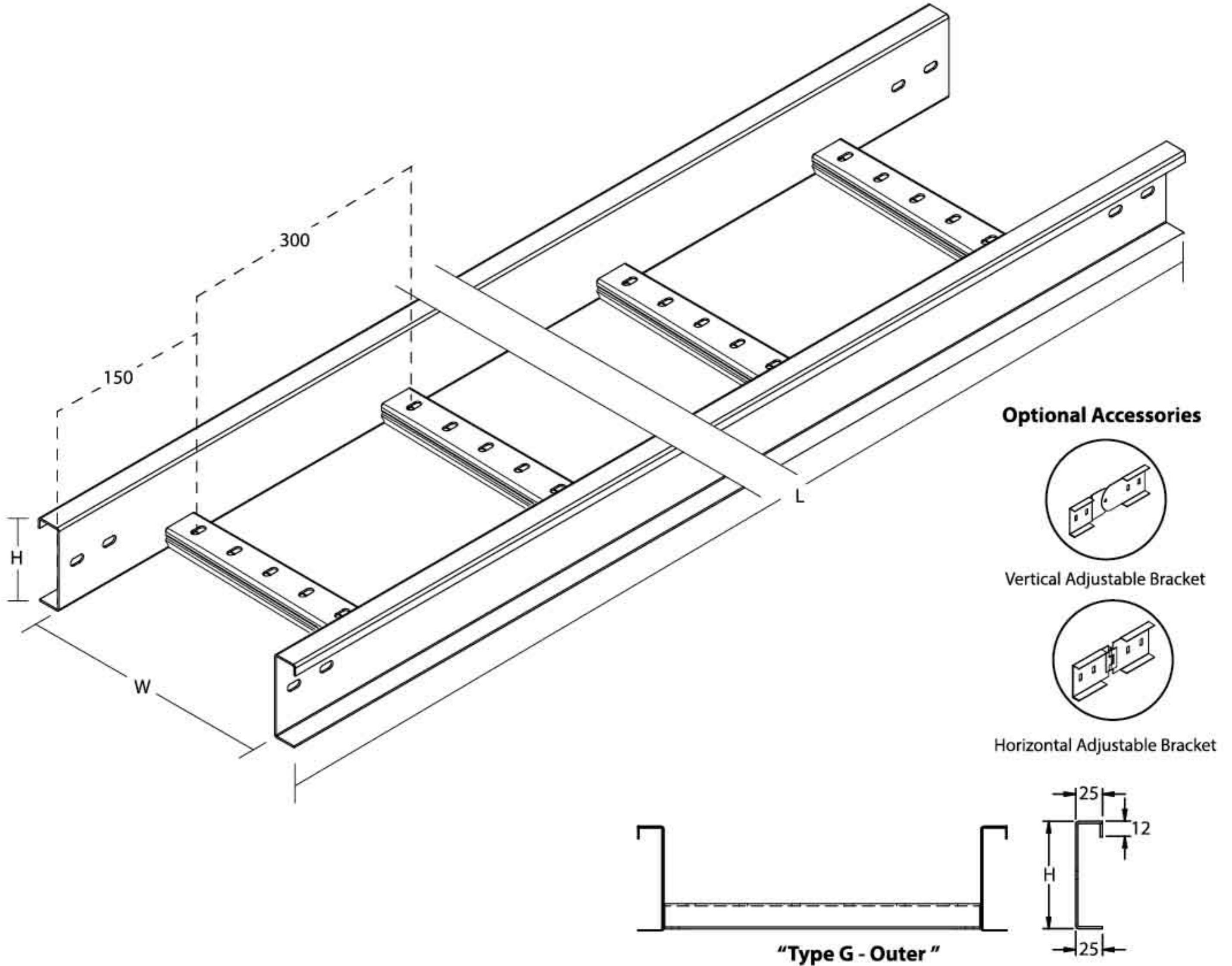


◀ Elbow Bottom

SCL/G/I/WD AC-11
SCL/G/I/KD AC-11

**Other design and sizes are available upon request.

"Type G - Inner" - WD/KD



Cable Ladder "Type G - Outer" - Welded (WD)

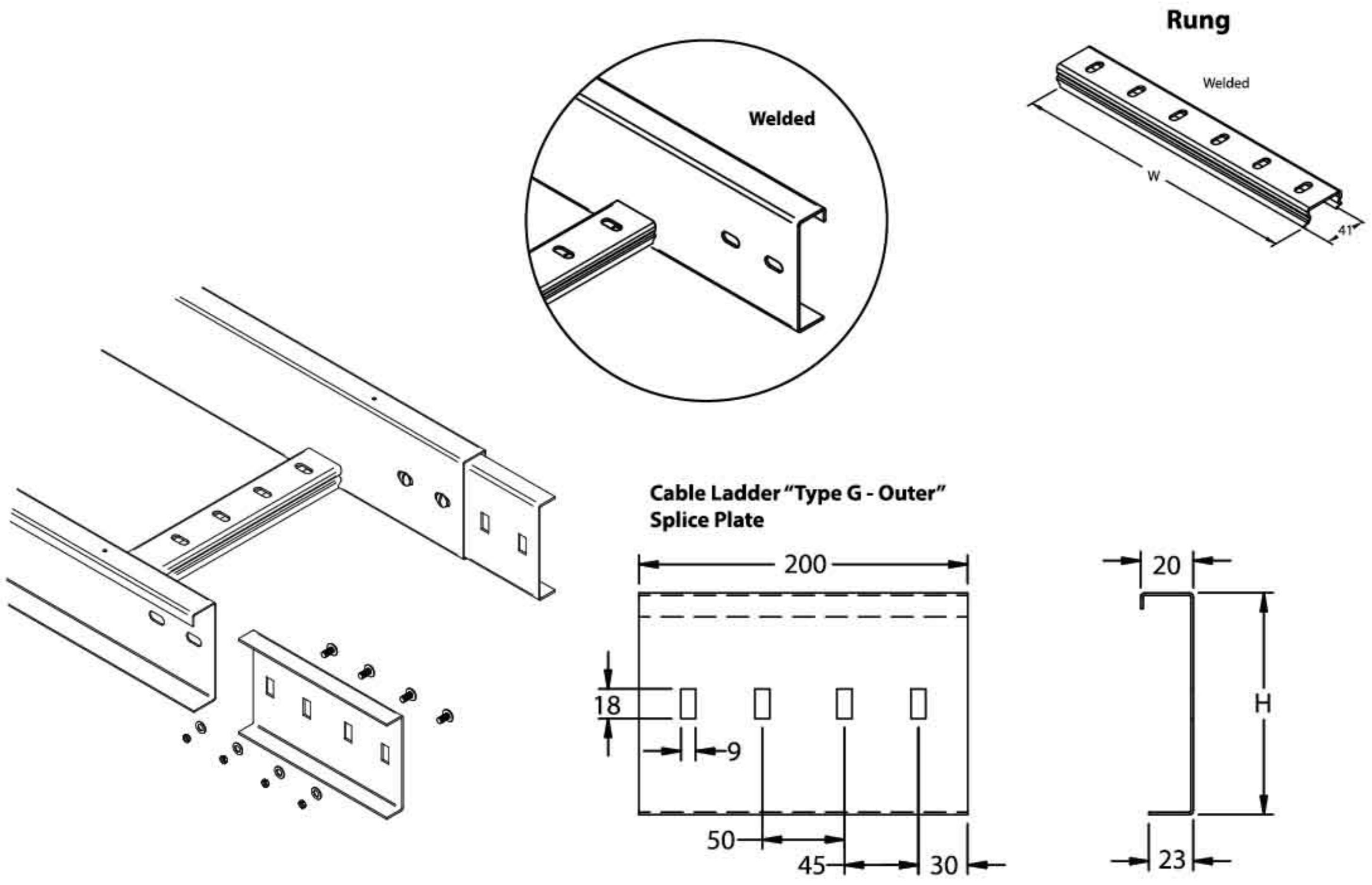
Model	Nominal Size (mm)		
	Body (LxWxH)	Splice Plate (H)	Thickness
SCL/G/O-(150X50)-WD	2438 / 3000 x 150 x 50	45	2
SCL/G/O-(200X50)-WD	2438 / 3000 x 200 x 50	45	2
SCL/G/O-(250X50)-WD	2438 / 3000 x 250 x 50	45	2
SCL/G/O-(300X50)-WD	2438 / 3000 x 300 x 50	45	2
SCL/G/O-(150X75)-WD	2438 / 3000 x 150 x 75	70	2
SCL/G/O-(200X75)-WD	2438 / 3000 x 200 x 75	70	2
SCL/G/O-(250X75)-WD	2438 / 3000 x 250 x 75	70	2
SCL/G/O-(300X75)-WD	2438 / 3000 x 300 x 75	70	2
SCL/G/O-(450X75)-WD	2438 / 3000 x 450 x 75	70	2
SCL/G/O-(600X75)-WD	2438 / 3000 x 600 x 75	70	2
SCL/G/O-(900X75)-WD	2438 / 3000 x 900 x 75	70	2
SCL/G/O-(150X100)-WD	2438 / 3000 x 150 x 100	95	2
SCL/G/O-(200X100)-WD	2438 / 3000 x 200 x 100	95	2
SCL/G/O-(250X100)-WD	2438 / 3000 x 250 x 100	95	2
SCL/G/O-(300X100)-WD	2438 / 3000 x 300 x 100	95	2
SCL/G/O-(400X100)-WD	2438 / 3000 x 400 x 100	95	2
SCL/G/O-(450X100)-WD	2438 / 3000 x 450 x 100	95	2
SCL/G/O-(500X100)-WD	2438 / 3000 x 500 x 100	95	2
SCL/G/O-(600X100)-WD	2438 / 3000 x 600 x 100	95	2
SCL/G/O-(750X100)-WD	2438 / 3000 x 750 x 100	95	2
SCL/G/O-(900X100)-WD	2438 / 3000 x 900 x 100	95	2

**Specification subject to change without prior notice.
 ***Thickness Tolerance with + - 10%

*For order information, please refer page 17.

Cable Ladder System

Cable Ladder Straight "Type G - Outer" (Welded)



Dimension in Millimeter (mm)

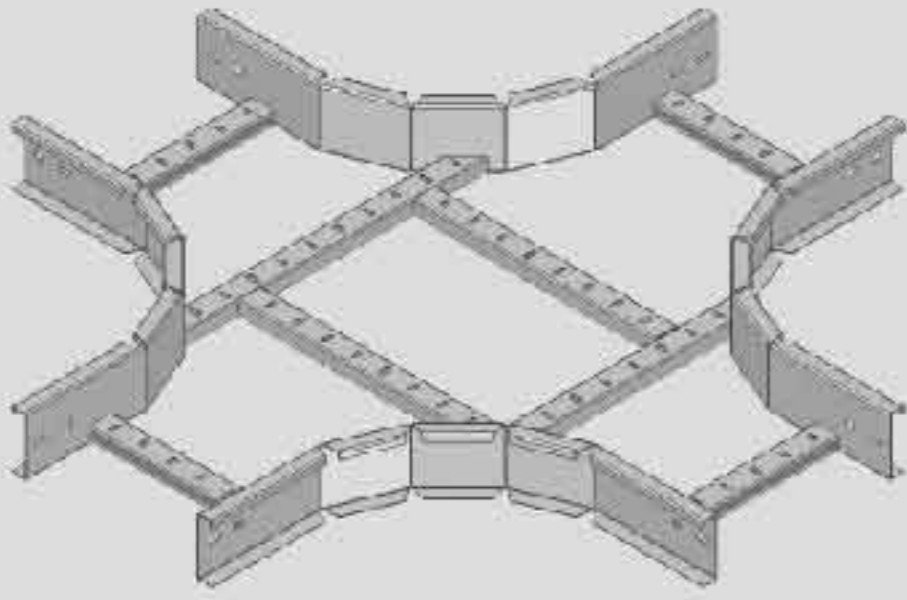
L : Length
W : Width
H : Height

Cable Ladder "Type G - Outer" - Welded (WD)

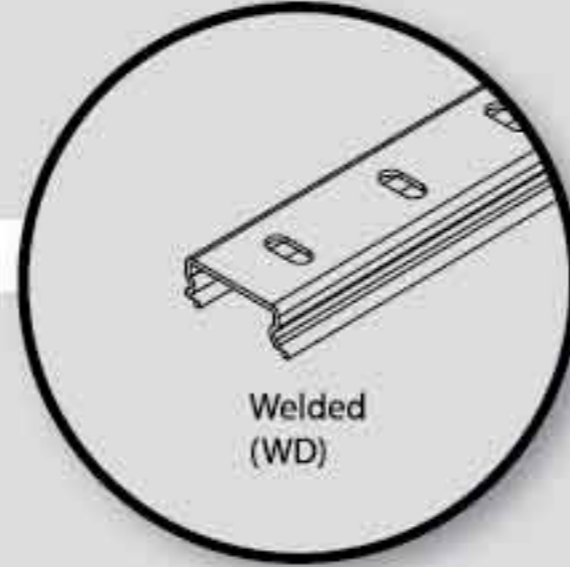
Model	Nominal Size (mm)		
	Body (LxWxH)	Splice Plate (H)	Thickness
SCL/G/O-(1000X100)-WD	2438 / 3000 x 1000 x 100	95	2
SCL/G/O-(200X125)-WD	2438 / 3000 x 200 x 125	120	2
SCL/G/O-(250X125)-WD	2438 / 3000 x 250 x 125	120	2
SCL/G/O-(300X125)-WD	2438 / 3000 x 300 x 125	120	2
SCL/G/O-(400X125)-WD	2438 / 3000 x 400 x 125	120	2
SCL/G/O-(450X125)-WD	2438 / 3000 x 450 x 125	120	2
SCL/G/O-(500X125)-WD	2438 / 3000 x 500 x 125	120	2
SCL/G/O-(600X125)-WD	2438 / 3000 x 600 x 125	120	2
SCL/G/O-(750X125)-WD	2438 / 3000 x 750 x 125	120	2
SCL/G/O-(900X125)-WD	2438 / 3000 x 900 x 125	120	2
SCL/G/O-(1000X125)-WD	2438 / 3000 x 1000 x 125	120	2
SCL/G/O-(200X150)-WD	2438 / 3000 x 200 x 150	145	2
SCL/G/O-(250X150)-WD	2438 / 3000 x 250 x 150	145	2
SCL/G/O-(300X150)-WD	2438 / 3000 x 300 x 150	145	2
SCL/G/O-(400X150)-WD	2438 / 3000 x 400 x 150	145	2
SCL/G/O-(450X150)-WD	2438 / 3000 x 450 x 150	145	2
SCL/G/O-(500X150)-WD	2438 / 3000 x 500 x 150	145	2
SCL/G/O-(600X150)-WD	2438 / 3000 x 600 x 150	145	2
SCL/G/O-(750X150)-WD	2438 / 3000 x 750 x 150	145	2
SCL/G/O-(900X150)-WD	2438 / 3000 x 900 x 150	145	2
SCL/G/O-(1000X150)-WD	2438 / 3000 x 1000 x 150	145	2

**Specification subject to change without prior notice.
***Thickness Tolerance with + - 10%

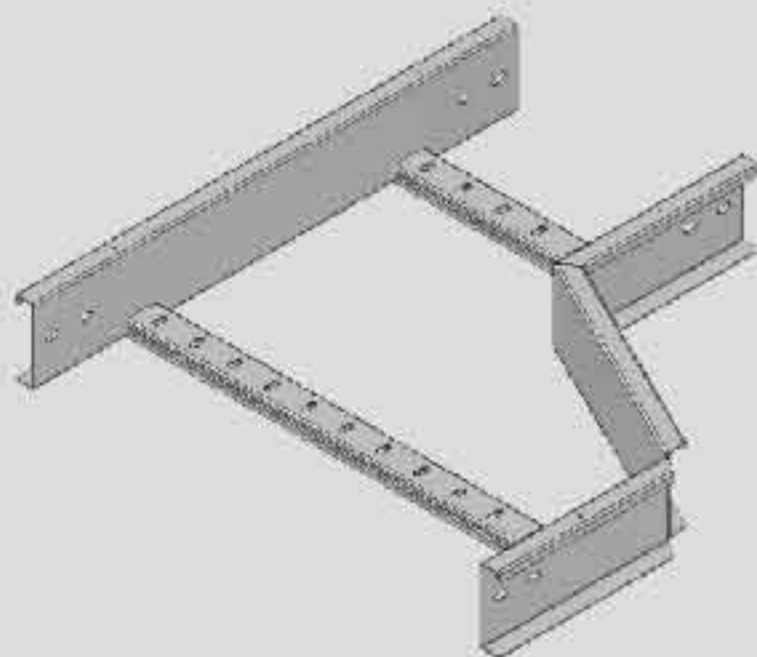
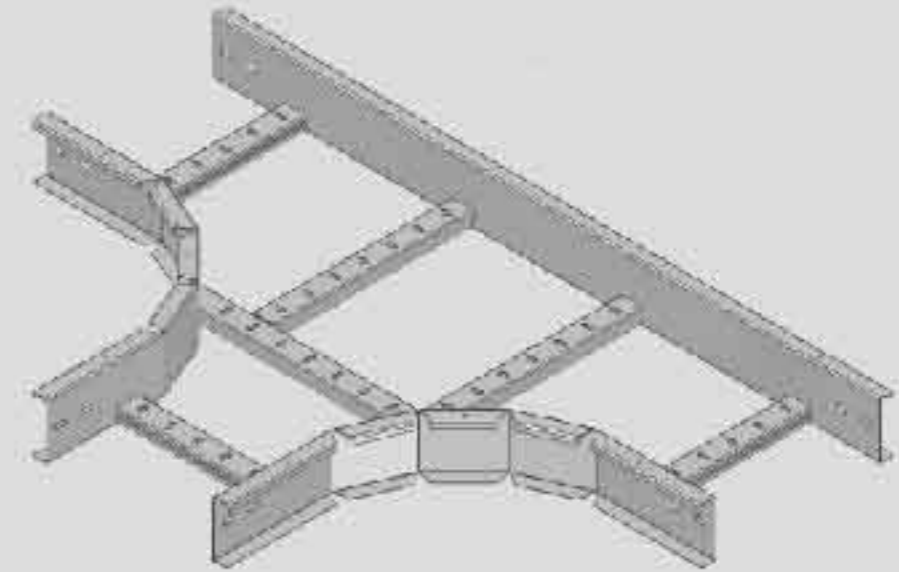
*For order information, please refer page 17.



◀ **Flatwise Cross**
SCL/G/O/WD AC-1

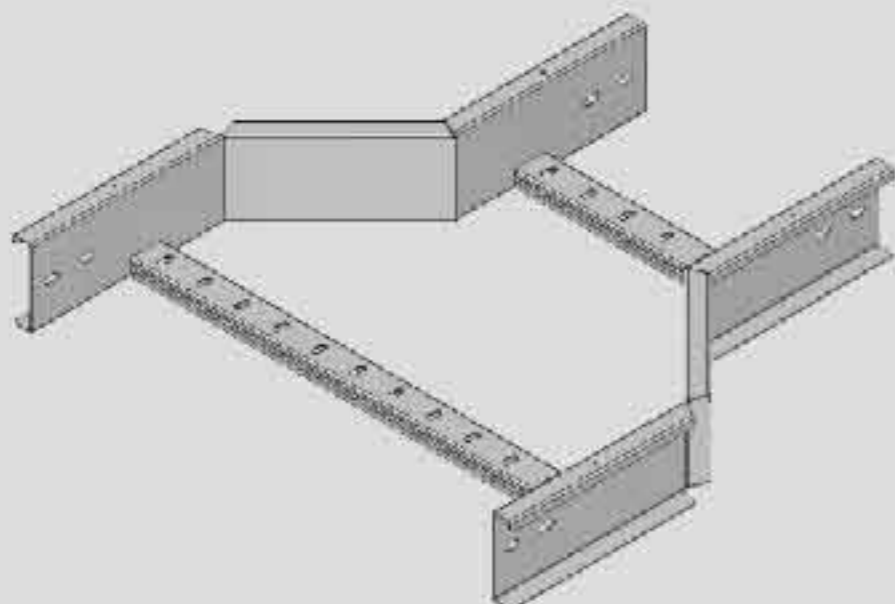
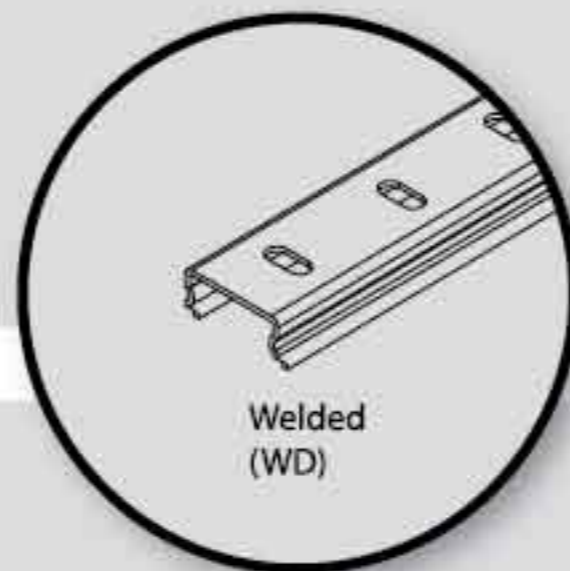
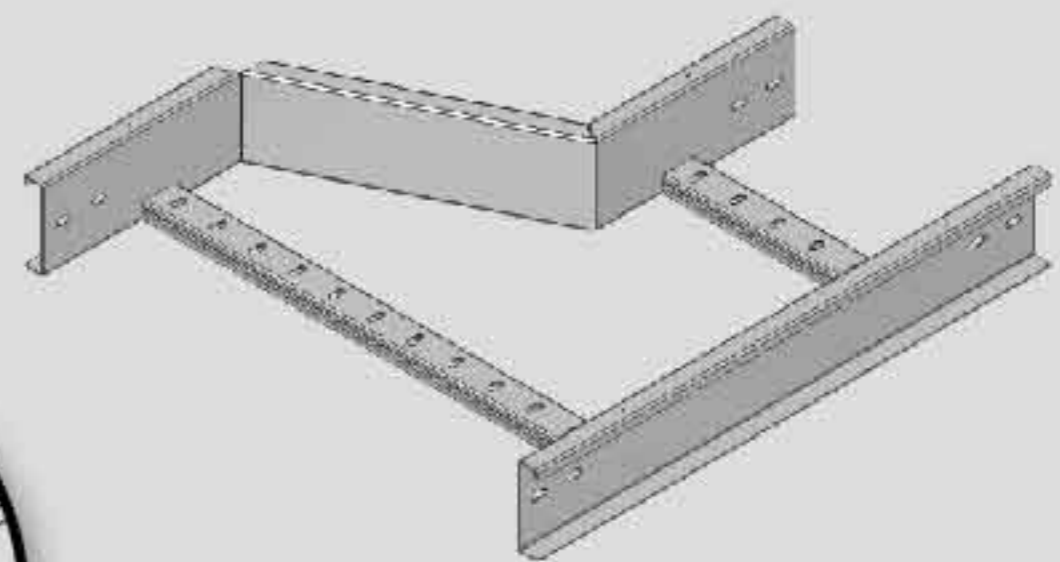


Flatwise Tee ▶
SCL/G/O/WD AC-2




◀ **Righthand Reducer**
SCL/G/O/WD AC-3

Lefthand Reducer ▶
SCL/G/O/WD AC-4

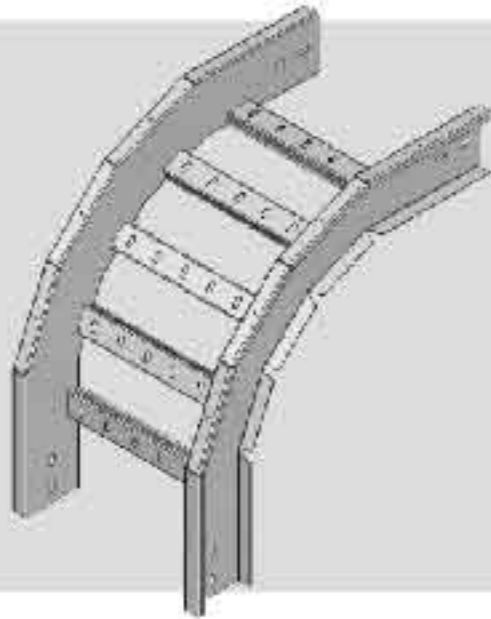
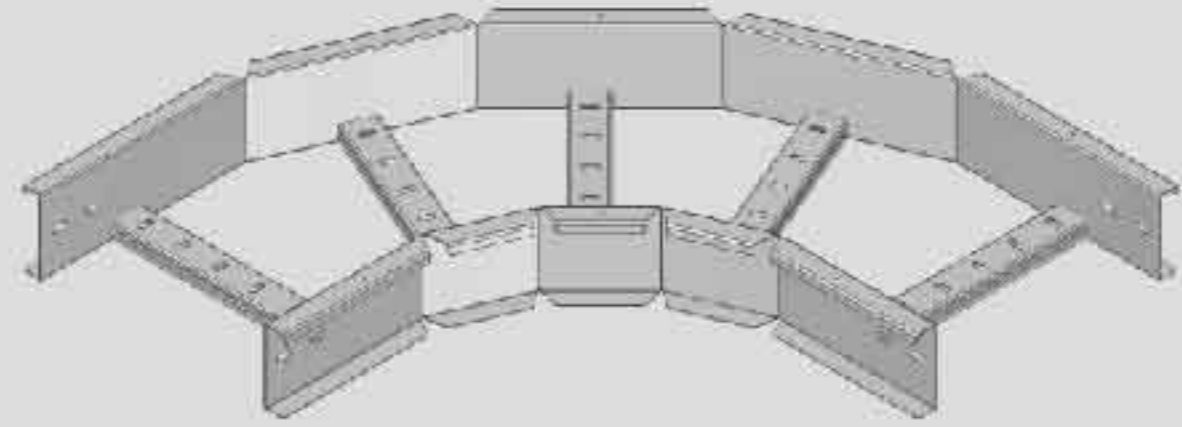


◀ **Straight Reducer**
SCL/G/O/WD AC-5

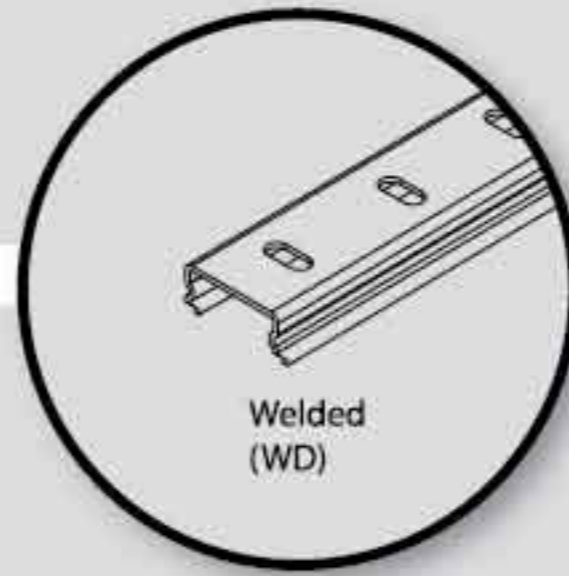
**Other design and sizes are available upon request.

"Type G - Outer" - WD 

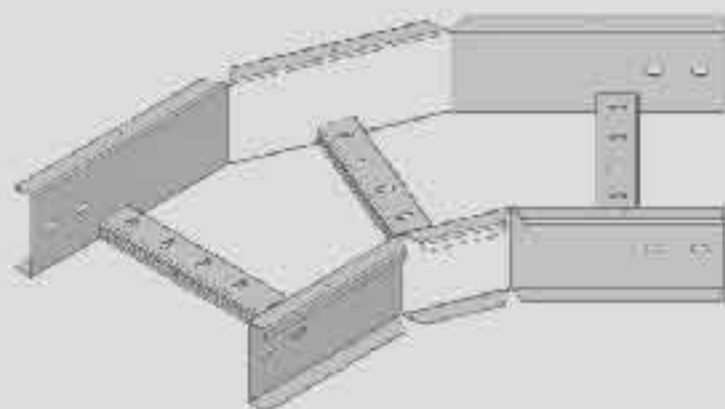
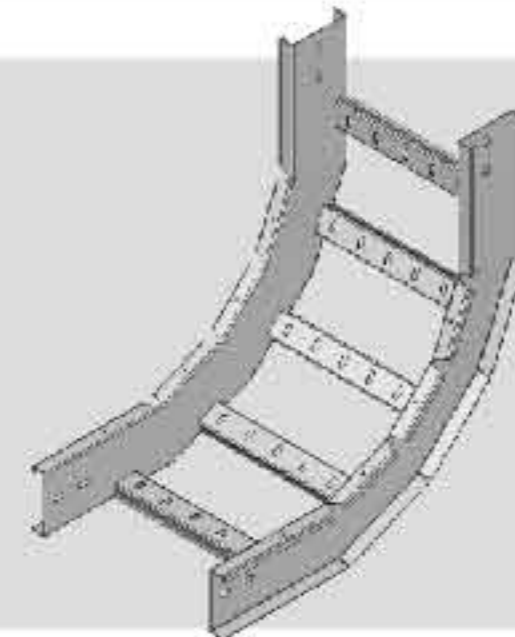
Flatwise Elbow ▶
SCL/G/O/WD AC-6



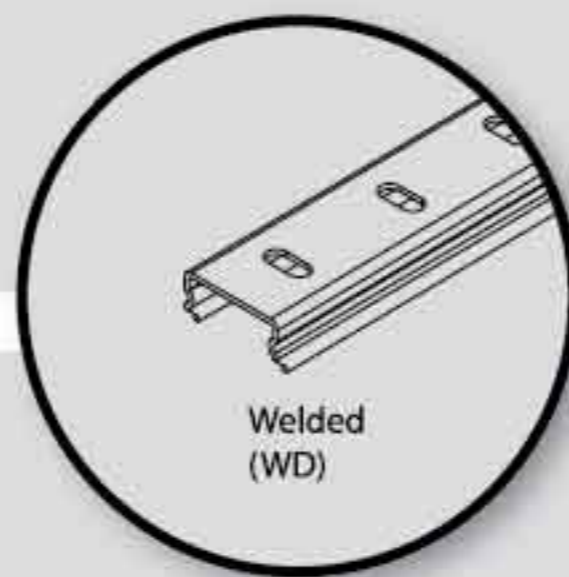
◀ Edgewise Elbow Left
SCL/G/O/WD AC-7



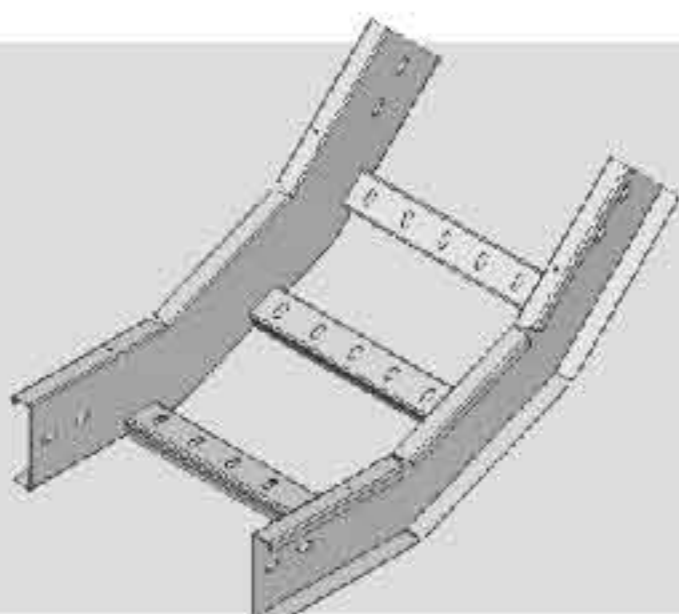
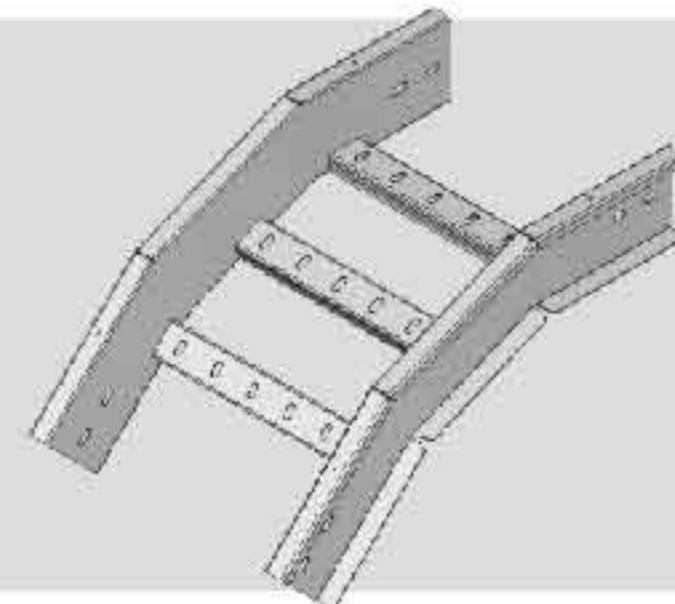
Edgewise Elbow Right ▶
SCL/G/O/WD AC-8



◀ Elbow Front
SCL/G/O/WD AC-9



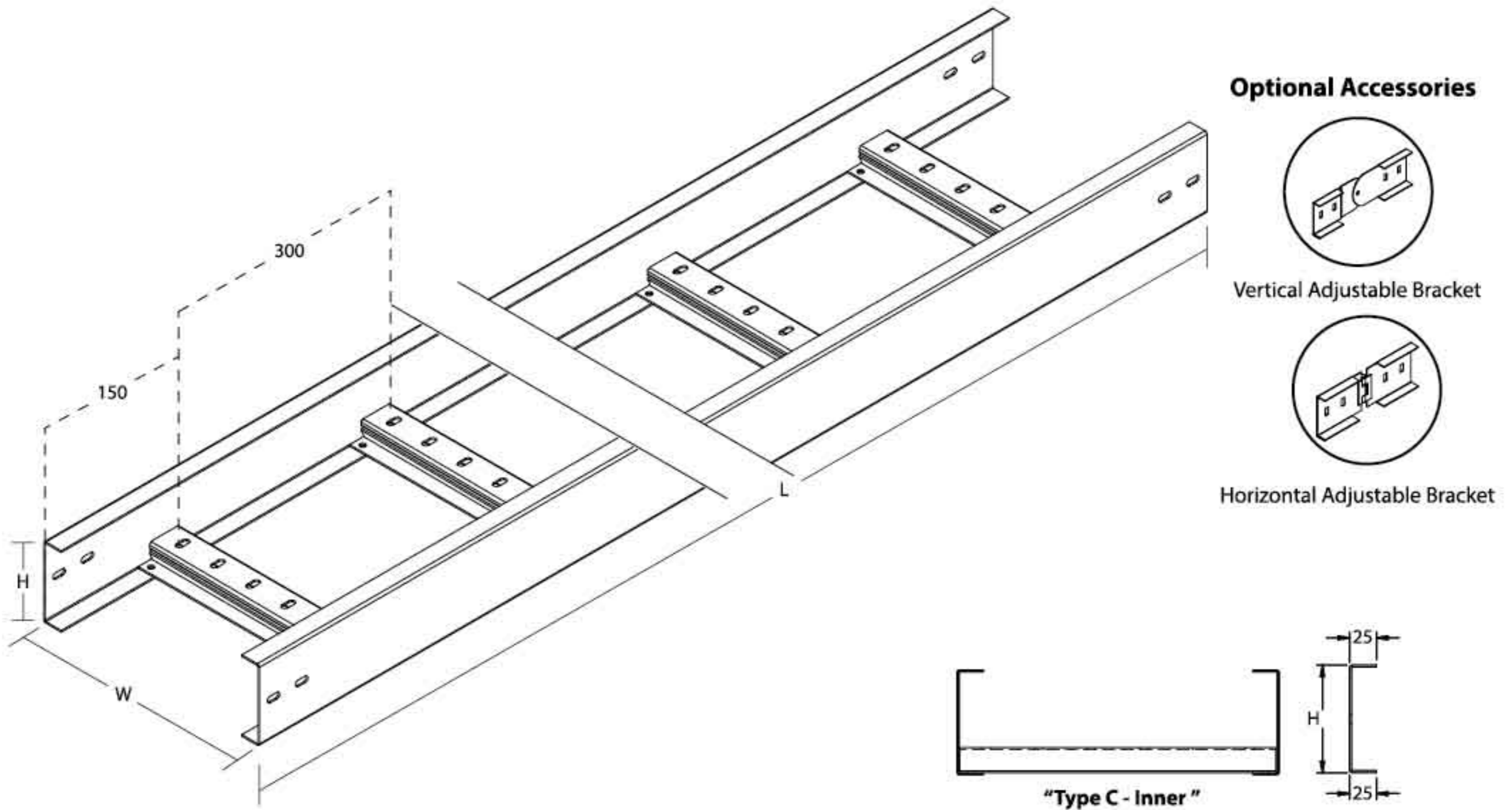
Elbow Top ▶
SCL/G/O/WD AC-10



◀ Elbow Bottom
SCL/G/O/WD AC-11

**Other design and sizes are available upon request.

"Type G - Outer" - WD



Cable Ladder "Type C - Inner" - Welded (WD)

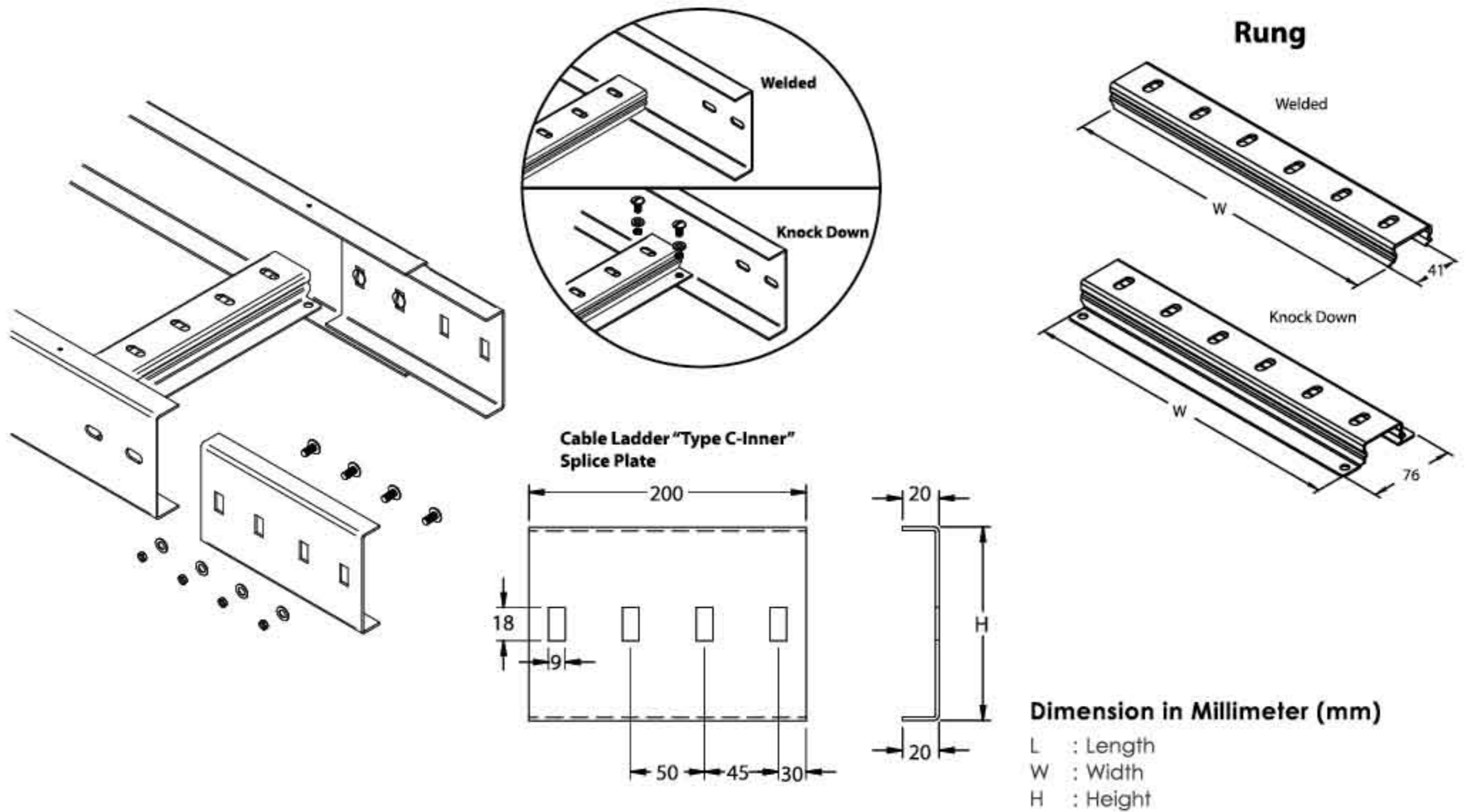
Model	Nominal Size (mm)		
	Body (LxWxH)	Splice Plate (H)	Thickness
SCL/C/I-(150X50)-WD	2438 / 3000 x 150 x 50	45	2
SCL/C/I-(200X50)-WD	2438 / 3000 x 200 x 50	45	2
SCL/C/I-(250X50)-WD	2438 / 3000 x 250 x 50	45	2
SCL/C/I-(300X50)-WD	2438 / 3000 x 300 x 50	45	2
SCL/C/I-(150X75)-WD	2438 / 3000 x 150 x 75	70	2
SCL/C/I-(200X75)-WD	2438 / 3000 x 200 x 75	70	2
SCL/C/I-(250X75)-WD	2438 / 3000 x 250 x 75	70	2
SCL/C/I-(300X75)-WD	2438 / 3000 x 300 x 75	70	2
SCL/C/I-(450X75)-WD	2438 / 3000 x 450 x 75	70	2
SCL/C/I-(600X75)-WD	2438 / 3000 x 600 x 75	70	2
SCL/C/I-(900X75)-WD	2438 / 3000 x 900 x 75	70	2
SCL/C/I-(150X100)-WD	2438 / 3000 x 150 x 100	95	2
SCL/C/I-(200X100)-WD	2438 / 3000 x 200 x 100	95	2
SCL/C/I-(250X100)-WD	2438 / 3000 x 250 x 100	95	2
SCL/C/I-(300X100)-WD	2438 / 3000 x 300 x 100	95	2
SCL/C/I-(400X100)-WD	2438 / 3000 x 400 x 100	95	2
SCL/C/I-(450X100)-WD	2438 / 3000 x 450 x 100	95	2
SCL/C/I-(500X100)-WD	2438 / 3000 x 500 x 100	95	2
SCL/C/I-(600X100)-WD	2438 / 3000 x 600 x 100	95	2
SCL/C/I-(750X100)-WD	2438 / 3000 x 750 x 100	95	2
SCL/C/I-(900X100)-WD	2438 / 3000 x 900 x 100	95	2
SCL/C/I-(1000X100)-WD	2438 / 3000 x 1000 x 100	95	2
SCL/C/I-(200X125)-WD	2438 / 3000 x 200 x 125	120	2
SCL/C/I-(250X125)-WD	2438 / 3000 x 250 x 125	120	2
SCL/C/I-(300X125)-WD	2438 / 3000 x 300 x 125	120	2
SCL/C/I-(400X125)-WD	2438 / 3000 x 400 x 125	120	2
SCL/C/I-(450X125)-WD	2438 / 3000 x 450 x 125	120	2
SCL/C/I-(500X125)-WD	2438 / 3000 x 500 x 125	120	2
SCL/C/I-(600X125)-WD	2438 / 3000 x 600 x 125	120	2
SCL/C/I-(750X125)-WD	2438 / 3000 x 750 x 125	120	2
SCL/C/I-(900X125)-WD	2438 / 3000 x 900 x 125	120	2
SCL/C/I-(1000X125)-WD	2438 / 3000 x 1000 x 125	120	2
SCL/C/I-(200X150)-WD	2438 / 3000 x 200 x 150	145	2
SCL/C/I-(250X150)-WD	2438 / 3000 x 250 x 150	145	2
SCL/C/I-(300X150)-WD	2438 / 3000 x 300 x 150	145	2
SCL/C/I-(400X150)-WD	2438 / 3000 x 400 x 150	145	2
SCL/C/I-(450X150)-WD	2438 / 3000 x 450 x 150	145	2
SCL/C/I-(500X150)-WD	2438 / 3000 x 500 x 150	145	2
SCL/C/I-(600X150)-WD	2438 / 3000 x 600 x 150	145	2
SCL/C/I-(750X150)-WD	2438 / 3000 x 750 x 150	145	2
SCL/C/I-(900X150)-WD	2438 / 3000 x 900 x 150	145	2
SCL/C/I-(1000X150)-WD	2438 / 3000 x 1000 x 150	145	2

**Specification subject to change without prior notice.
 ***Thickness Tolerance with + - 10%

*For order information, please refer page 17.

Cable Ladder System

Cable Ladder Straight "Type C -Inner" (Welded / Knock Down)

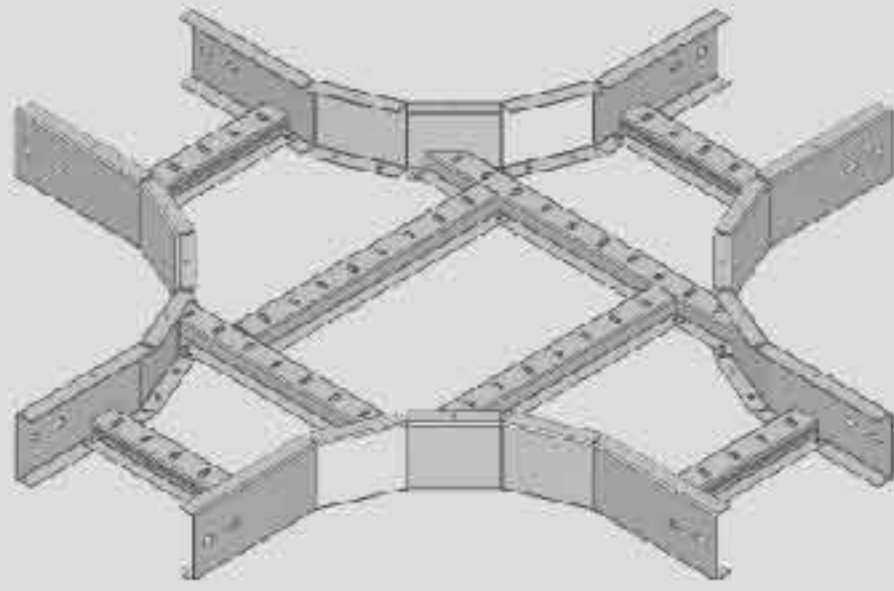


Cable Ladder "Type C - Inner" - Knock Down (KD)

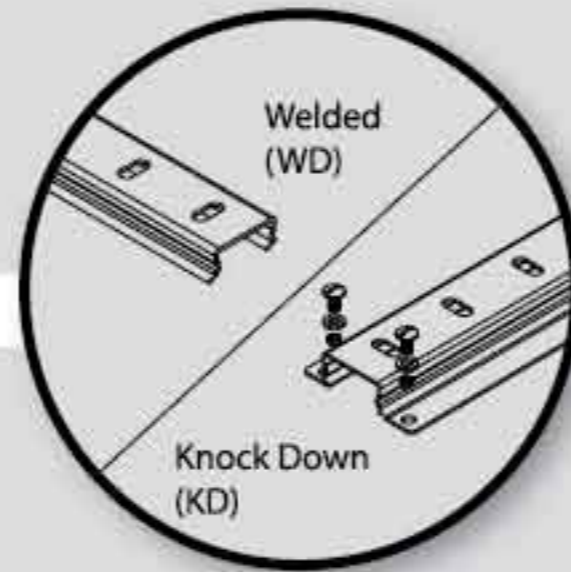
Model	Nominal Size (mm)		
	Body (LxWxH)	Splice Plate (H)	Thickness
SCL/C/I-(150X50)-KD	2438 / 3000 x 150 x 50	45	2
SCL/C/I-(200X50)-KD	2438 / 3000 x 200 x 50	45	2
SCL/C/I-(250X50)-KD	2438 / 3000 x 250 x 50	45	2
SCL/C/I-(300X50)-KD	2438 / 3000 x 300 x 50	45	2
SCL/C/I-(150X75)-KD	2438 / 3000 x 150 x 75	70	2
SCL/C/I-(200X75)-KD	2438 / 3000 x 200 x 75	70	2
SCL/C/I-(250X75)-KD	2438 / 3000 x 250 x 75	70	2
SCL/C/I-(300X75)-KD	2438 / 3000 x 300 x 75	70	2
SCL/C/I-(450X75)-KD	2438 / 3000 x 450 x 75	70	2
SCL/C/I-(600X75)-KD	2438 / 3000 x 600 x 75	70	2
SCL/C/I-(900X75)-KD	2438 / 3000 x 900 x 75	70	2
SCL/C/I-(150X100)-KD	2438 / 3000 x 150 x 100	95	2
SCL/C/I-(200X100)-KD	2438 / 3000 x 200 x 100	95	2
SCL/C/I-(250X100)-KD	2438 / 3000 x 250 x 100	95	2
SCL/C/I-(300X100)-KD	2438 / 3000 x 300 x 100	95	2
SCL/C/I-(400X100)-KD	2438 / 3000 x 400 x 100	95	2
SCL/C/I-(450X100)-KD	2438 / 3000 x 450 x 100	95	2
SCL/C/I-(500X100)-KD	2438 / 3000 x 500 x 100	95	2
SCL/C/I-(600X100)-KD	2438 / 3000 x 600 x 100	95	2
SCL/C/I-(750X100)-KD	2438 / 3000 x 750 x 100	95	2
SCL/C/I-(900X100)-KD	2438 / 3000 x 900 x 100	95	2
SCL/C/I-(1000X100)-KD	2438 / 3000 x 1000 x 100	95	2
SCL/C/I-(200X125)-KD	2438 / 3000 x 200 x 125	120	2
SCL/C/I-(250X125)-KD	2438 / 3000 x 250 x 125	120	2
SCL/C/I-(300X125)-KD	2438 / 3000 x 300 x 125	120	2
SCL/C/I-(400X125)-KD	2438 / 3000 x 400 x 125	120	2
SCL/C/I-(450X125)-KD	2438 / 3000 x 450 x 125	120	2
SCL/C/I-(500X125)-KD	2438 / 3000 x 500 x 125	120	2
SCL/C/I-(600X125)-KD	2438 / 3000 x 600 x 125	120	2
SCL/C/I-(750X125)-KD	2438 / 3000 x 750 x 125	120	2
SCL/C/I-(900X125)-KD	2438 / 3000 x 900 x 125	120	2
SCL/C/I-(1000X125)-KD	2438 / 3000 x 1000 x 125	120	2
SCL/C/I-(200X150)-KD	2438 / 3000 x 200 x 150	145	2
SCL/C/I-(250X150)-KD	2438 / 3000 x 250 x 150	145	2
SCL/C/I-(300X150)-KD	2438 / 3000 x 300 x 150	145	2
SCL/C/I-(400X150)-KD	2438 / 3000 x 400 x 150	145	2
SCL/C/I-(450X150)-KD	2438 / 3000 x 450 x 150	145	2
SCL/C/I-(500X150)-KD	2438 / 3000 x 500 x 150	145	2
SCL/C/I-(600X150)-KD	2438 / 3000 x 600 x 150	145	2
SCL/C/I-(750X150)-KD	2438 / 3000 x 750 x 150	145	2
SCL/C/I-(900X150)-KD	2438 / 3000 x 900 x 150	145	2
SCL/C/I-(1000X150)-KD	2438 / 3000 x 1000 x 150	145	2

**Specification subject to change without prior notice.
 ***Thickness Tolerance with + - 10%

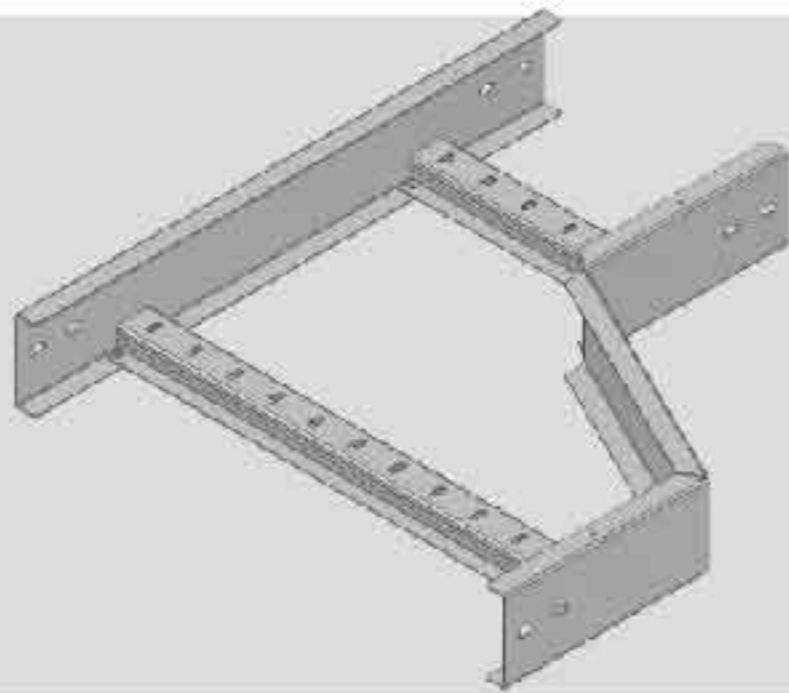
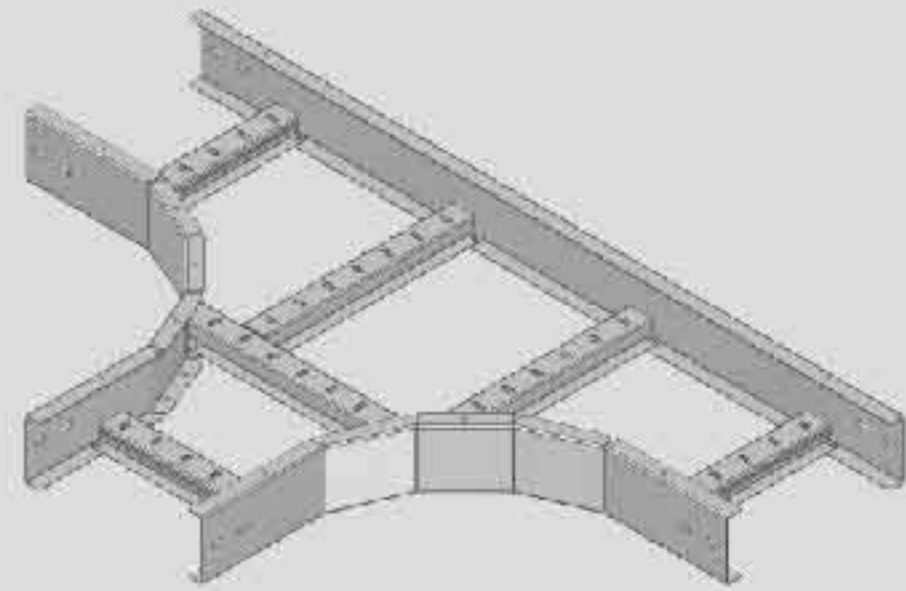
*For order information, please refer page 17.



◀ **Flatwise Cross**
SCL/C/I/WD AC-1
SCL/C/I/KD AC-1

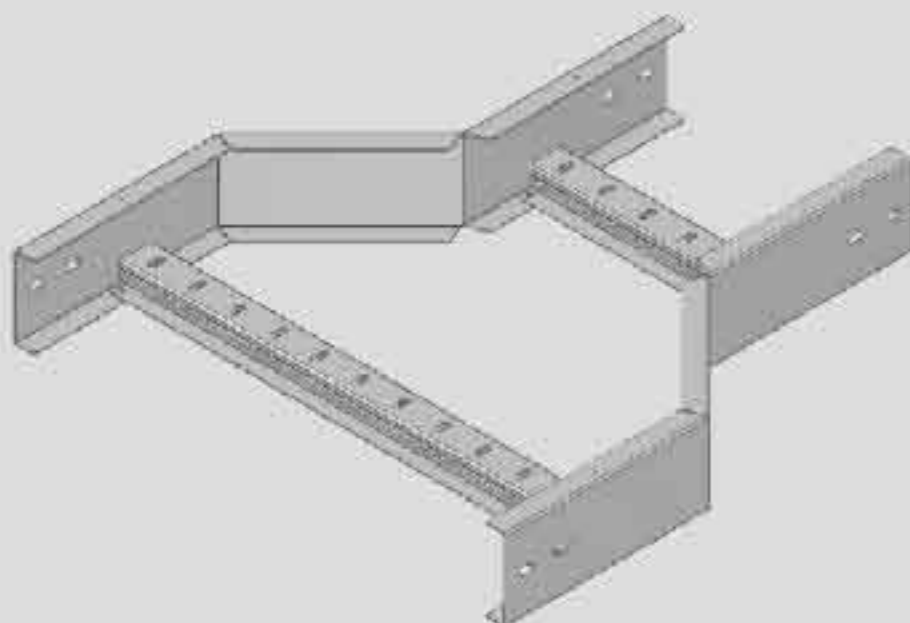
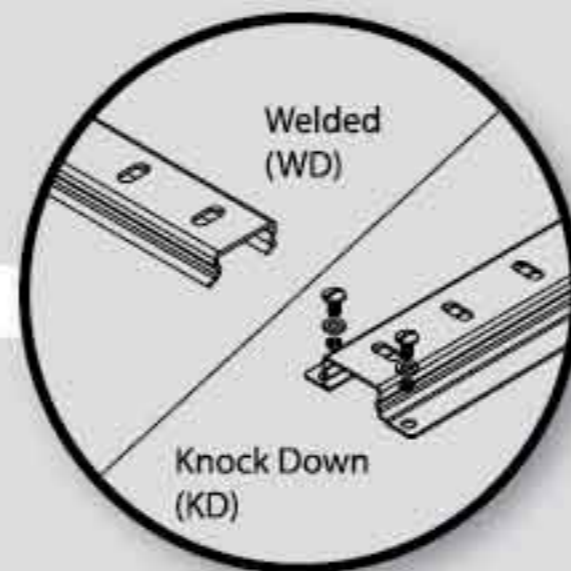
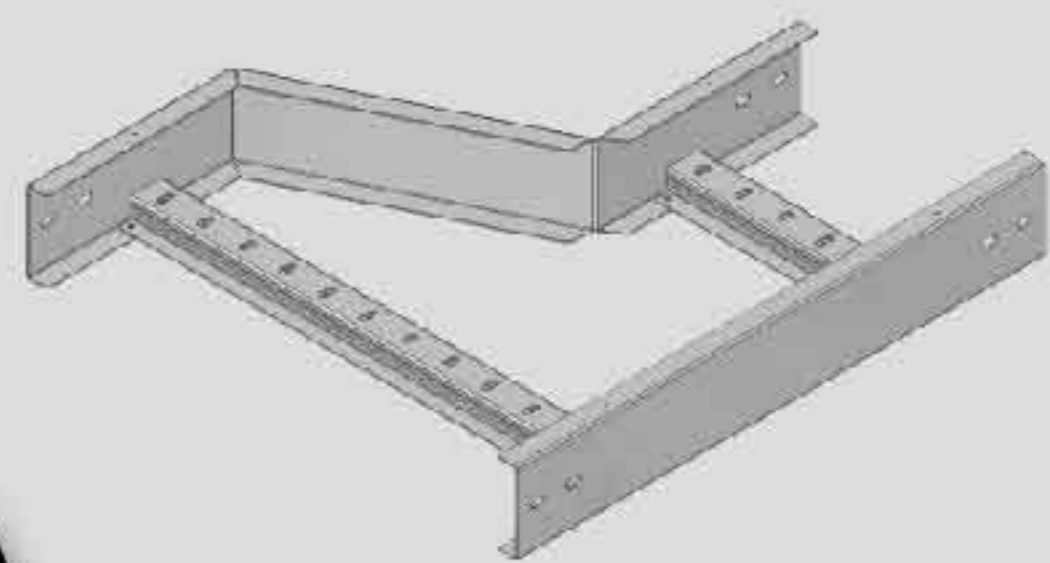


Flatwise Tee ▶
SCL/C/I/WD AC-2
SCL/C/I/KD AC-2



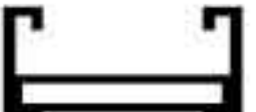
◀ **Righthand Reducer**
SCL/C/I/WD AC-3
SCL/C/I/KD AC-3

Lefthand Reducer ▶
SCL/C/I/WD AC-4
SCL/C/I/KD AC-4



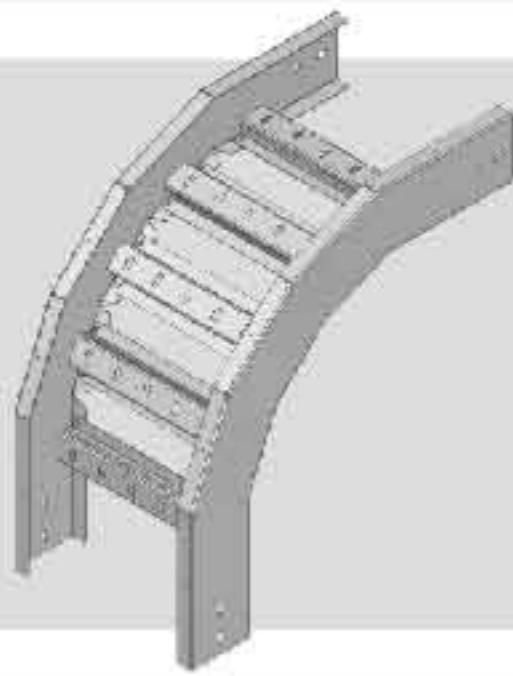
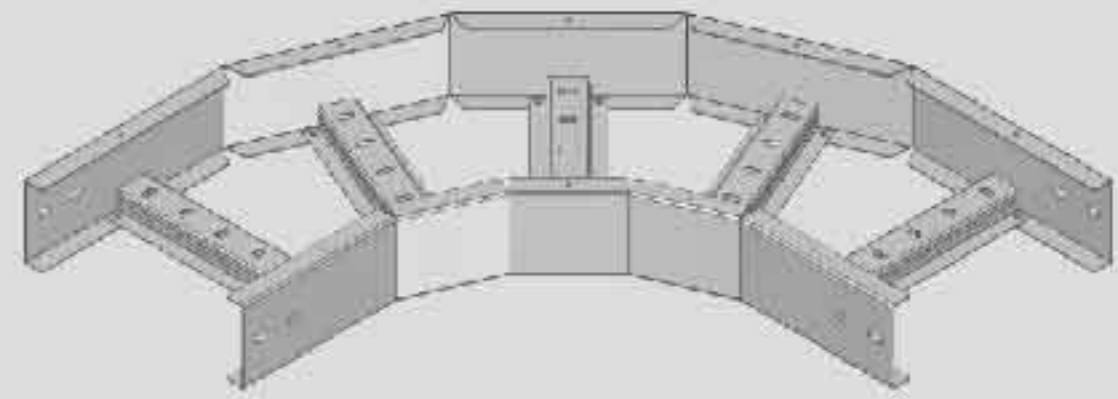
◀ **Straight Reducer**
SCL/C/I/WD AC-5
SCL/C/I/KD AC-5

**Other design and sizes are available upon request.

"Type C - Inner" - WD/KD 

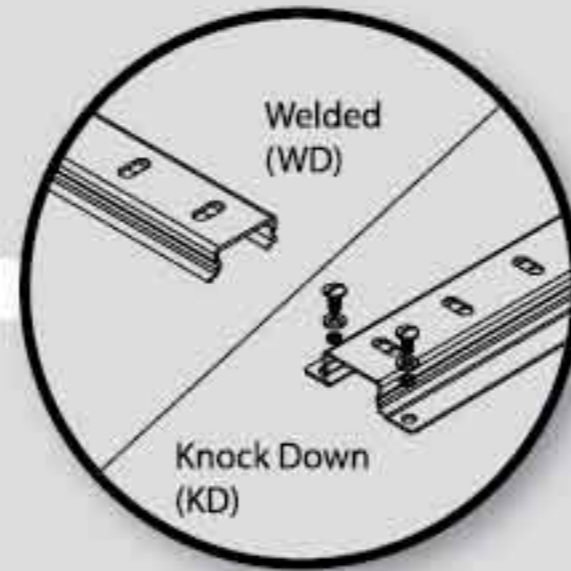
Flatwise Elbow ▶

SCL/C//WD AC-6
SCL/C//KD AC-6



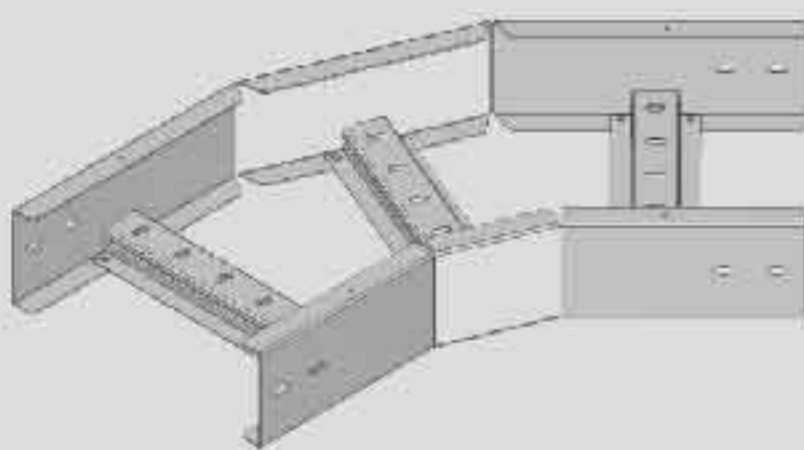
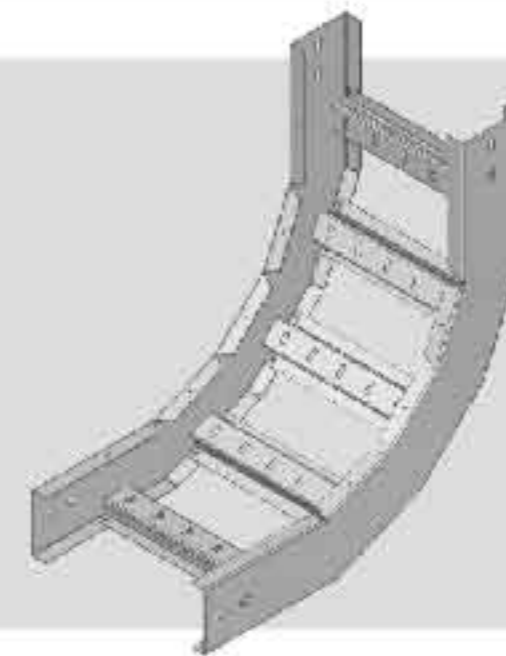
◀ Edgewise Elbow Left

SCL/C//WD AC-7
SCL/C//KD AC-7



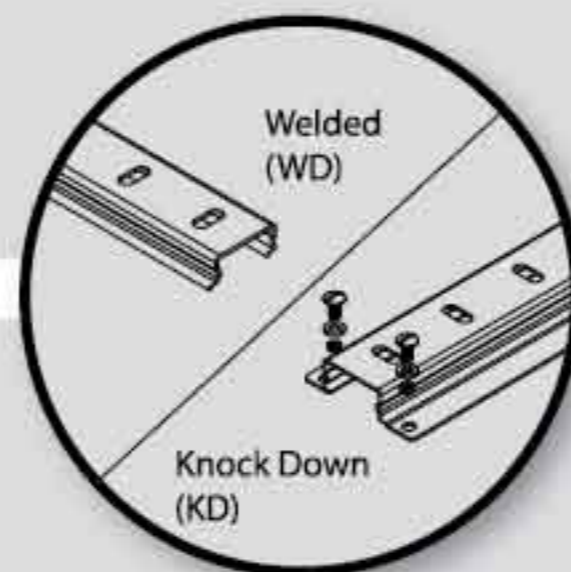
Edgewise Elbow Right ▶

SCL/C//WD AC-8
SCL/C//KD AC-8



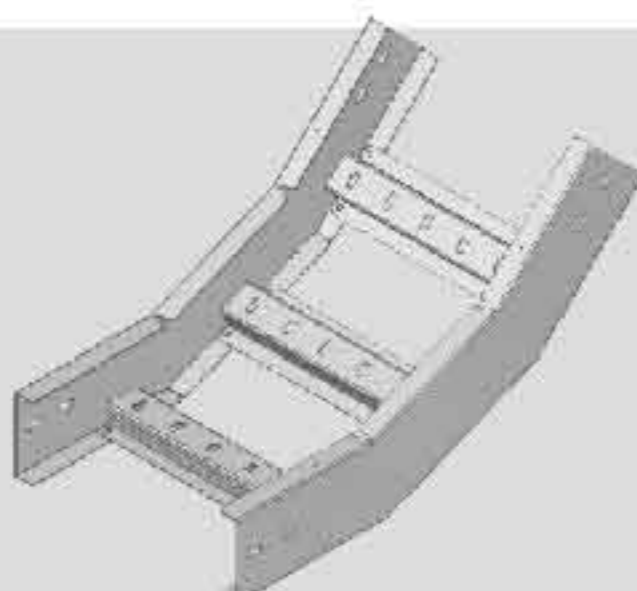
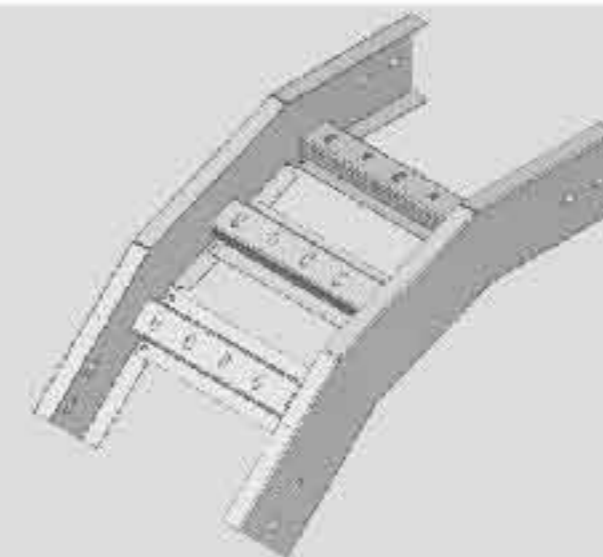
◀ Elbow Front

SCL/C//WD AC-9
SCL/C//KD AC-9



Elbow Top ▶

SCL/C//WD AC-10
SCL/C//KD AC-10

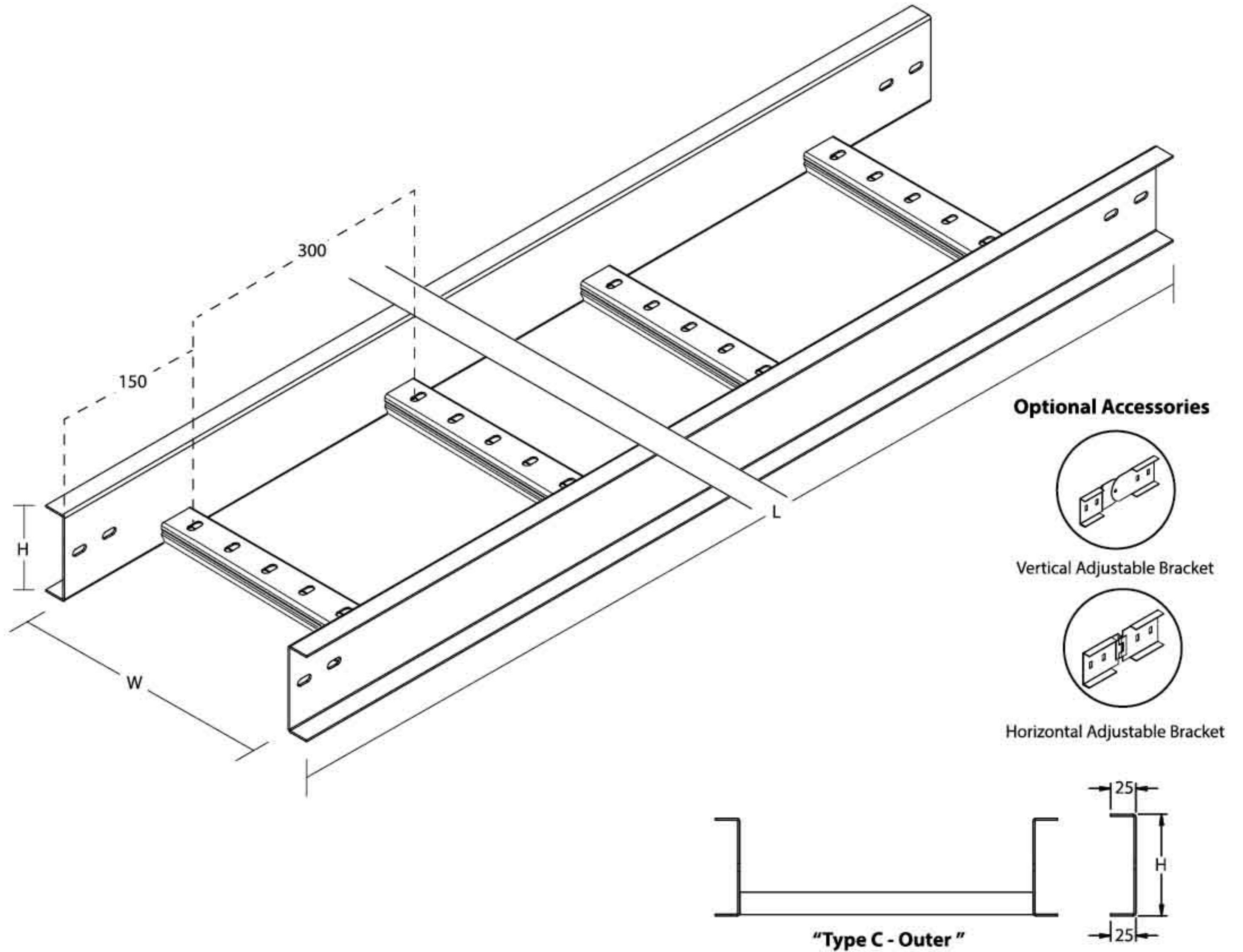


◀ Elbow Bottom

SCL/C//WD AC-11
SCL/C//KD AC-11

**Other design and sizes are available upon request.

"Type C - Inner" - WD/KD



Cable Ladder "Type C - Outer" - Welded (WD)

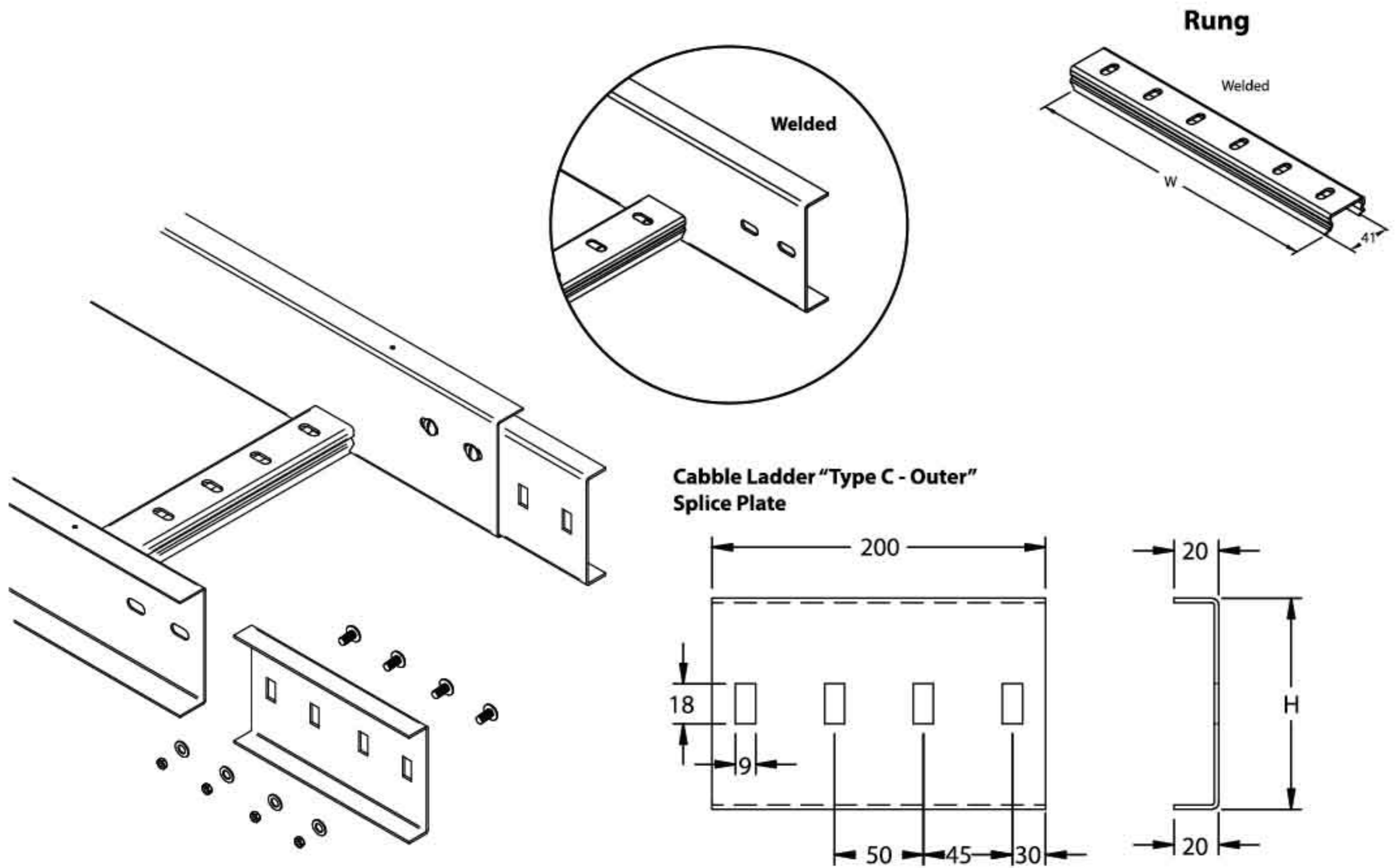
Model	Nominal Size (mm)		
	Body (LxWxH)	Splice Plate (H)	Thickness
SCL/C/O-(150X50)-WD	2438 / 3000 x 150 x 50	45	2
SCL/C/O-(200X50)-WD	2438 / 3000 x 200 x 50	45	2
SCL/C/O-(250X50)-WD	2438 / 3000 x 250 x 50	45	2
SCL/C/O-(300X50)-WD	2438 / 3000 x 300 x 50	45	2
SCL/C/O-(150X75)-WD	2438 / 3000 x 150 x 75	70	2
SCL/C/O-(200X75)-WD	2438 / 3000 x 200 x 75	70	2
SCL/C/O-(250X75)-WD	2438 / 3000 x 250 x 75	70	2
SCL/C/O-(300X75)-WD	2438 / 3000 x 300 x 75	70	2
SCL/C/O-(450X75)-WD	2438 / 3000 x 450 x 75	70	2
SCL/C/O-(600X75)-WD	2438 / 3000 x 600 x 75	70	2
SCL/C/O-(900X75)-WD	2438 / 3000 x 900 x 75	70	2
SCL/C/O-(150X100)-WD	2438 / 3000 x 150 x 100	95	2
SCL/C/O-(200X100)-WD	2438 / 3000 x 200 x 100	95	2
SCL/C/O-(250X100)-WD	2438 / 3000 x 250 x 100	95	2
SCL/C/O-(300X100)-WD	2438 / 3000 x 300 x 100	95	2
SCL/C/O-(400X100)-WD	2438 / 3000 x 400 x 100	95	2
SCL/C/O-(450X100)-WD	2438 / 3000 x 450 x 100	95	2
SCL/C/O-(500X100)-WD	2438 / 3000 x 500 x 100	95	2
SCL/C/O-(600X100)-WD	2438 / 3000 x 600 x 100	95	2
SCL/C/O-(750X100)-WD	2438 / 3000 x 750 x 100	95	2
SCL/C/O-(900X100)-WD	2438 / 3000 x 900 x 100	95	2

**Specification subject to change without prior notice.
 ***Thickness Tolerance with + - 10%

*For order information, please refer page 17.

Cable Ladder System

Cable Ladder Straight "Type C - Outer" (Welded)



Dimension in Millimeter (mm)

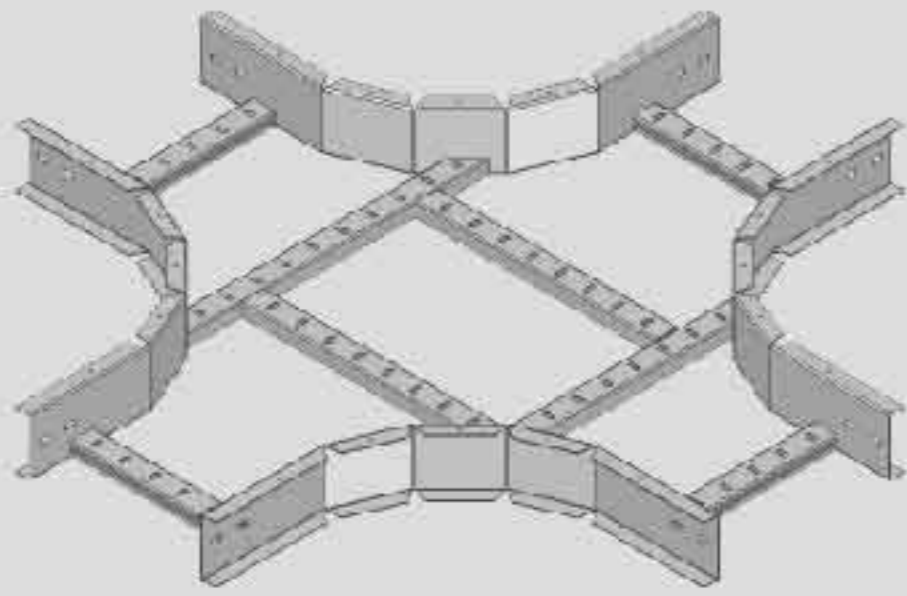
L : Length
W : Width
H : Height

Cable Ladder "Type C - Outer" - Welded (WD)

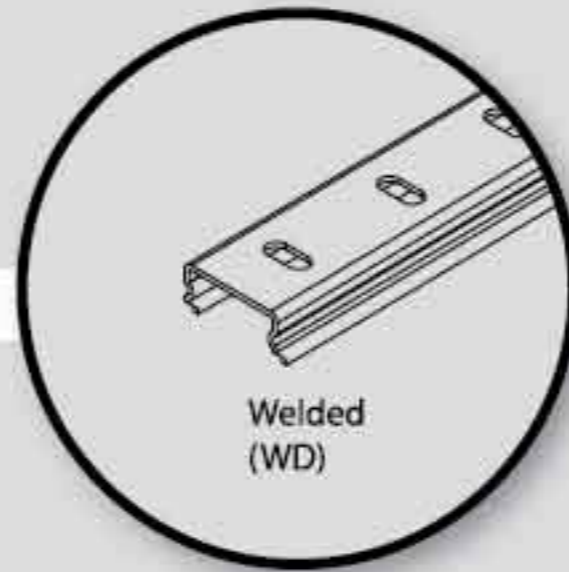
Model	Nominal Size (mm)		
	Body (LxWxH)	Splice Plate (H)	Thickness
SCL/C/O-(1000X100)-WD	2438 / 3000 x 1000 x 100	95	2
SCL/C/O-(200X125)-WD	2438 / 3000 x 200 x 125	120	2
SCL/C/O-(250X125)-WD	2438 / 3000 x 250 x 125	120	2
SCL/C/O-(300X125)-WD	2438 / 3000 x 300 x 125	120	2
SCL/C/O-(400X125)-WD	2438 / 3000 x 400 x 125	120	2
SCL/C/O-(450X125)-WD	2438 / 3000 x 450 x 125	120	2
SCL/C/O-(500X125)-WD	2438 / 3000 x 500 x 125	120	2
SCL/C/O-(600X125)-WD	2438 / 3000 x 600 x 125	120	2
SCL/C/O-(750X125)-WD	2438 / 3000 x 750 x 125	120	2
SCL/C/O-(900X125)-WD	2438 / 3000 x 900 x 125	120	2
SCL/C/O-(1000X125)-WD	2438 / 3000 x 1000 x 125	120	2
SCL/C/O-(200X150)-WD	2438 / 3000 x 200 x 150	145	2
SCL/C/O-(250X150)-WD	2438 / 3000 x 250 x 150	145	2
SCL/C/O-(300X150)-WD	2438 / 3000 x 300 x 150	145	2
SCL/C/O-(400X150)-WD	2438 / 3000 x 400 x 150	145	2
SCL/C/O-(450X150)-WD	2438 / 3000 x 450 x 150	145	2
SCL/C/O-(500X150)-WD	2438 / 3000 x 500 x 150	145	2
SCL/C/O-(600X150)-WD	2438 / 3000 x 600 x 150	145	2
SCL/C/O-(750X150)-WD	2438 / 3000 x 750 x 150	145	2
SCL/C/O-(900X150)-WD	2438 / 3000 x 900 x 150	145	2
SCL/C/O-(1000X150)-WD	2438 / 3000 x 1000 x 150	145	2

**Specification subject to change without prior notice.
***Thickness Tolerance with + - 10%

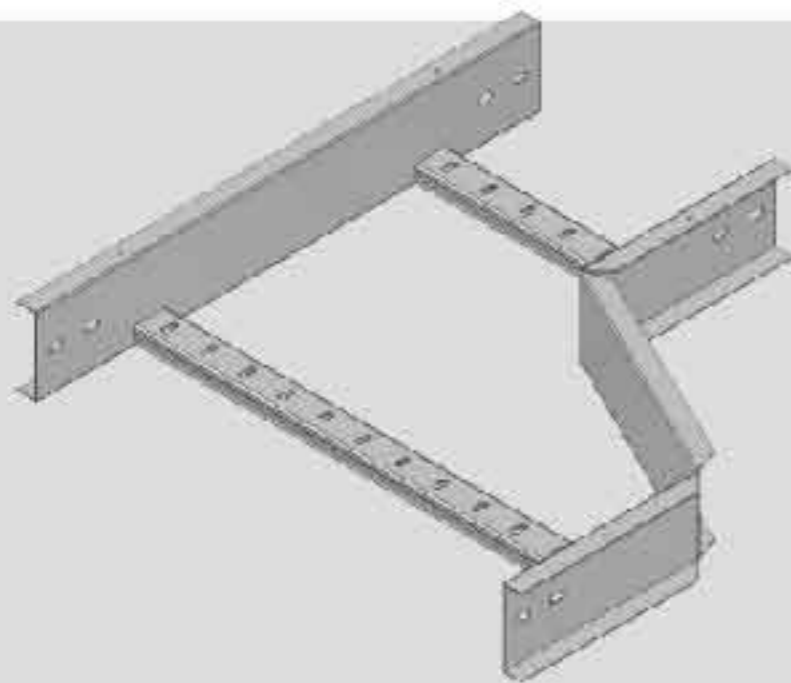
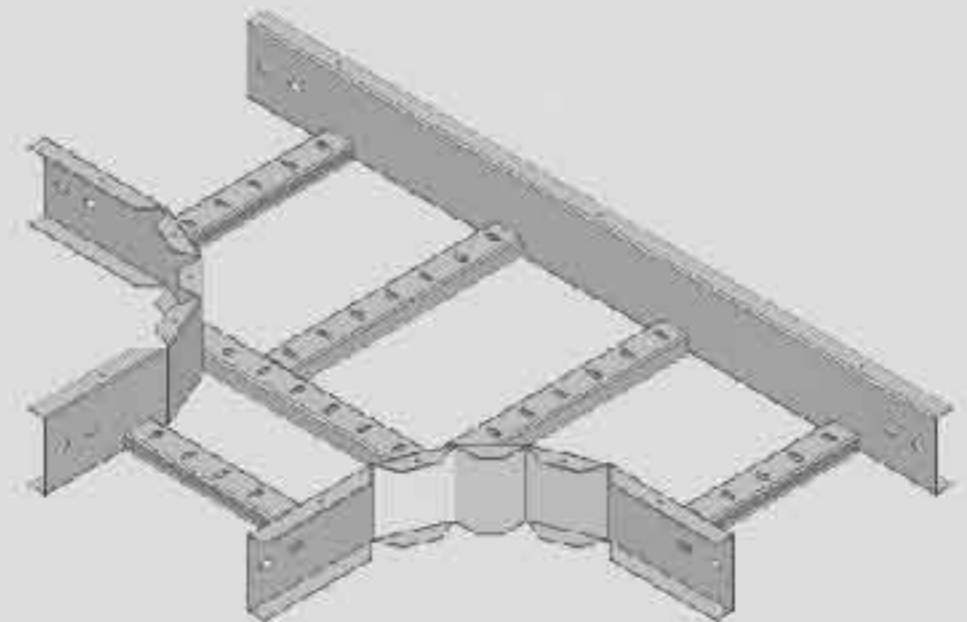
*For order information, please refer page 17.



◀ **Flatwise Cross**
SCL/C/O/WD AC-1

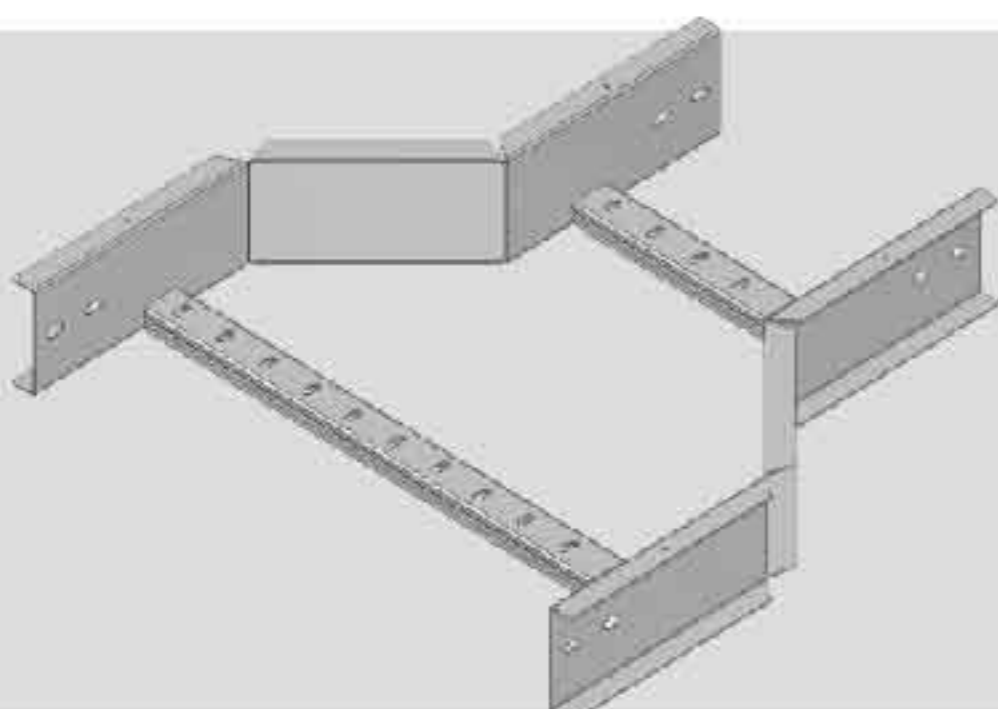
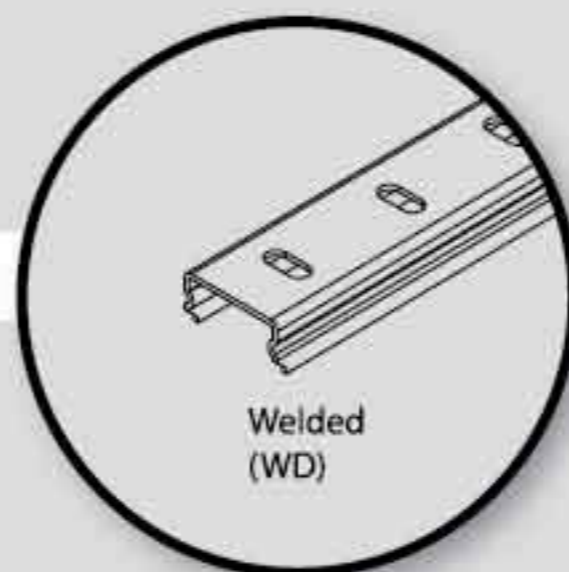
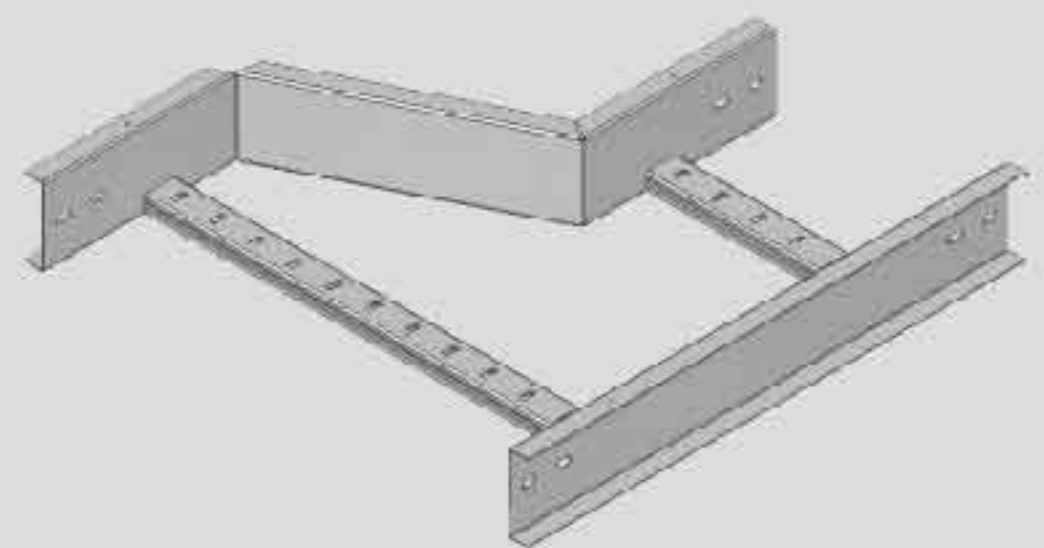


Flatwise Tee ▶
SCL/C/O/WD AC-2




◀ **Righthand Reducer**
SCL/C/O/WD AC-3

Lefthand Reducer ▶
SCL/C/O/WD AC-4

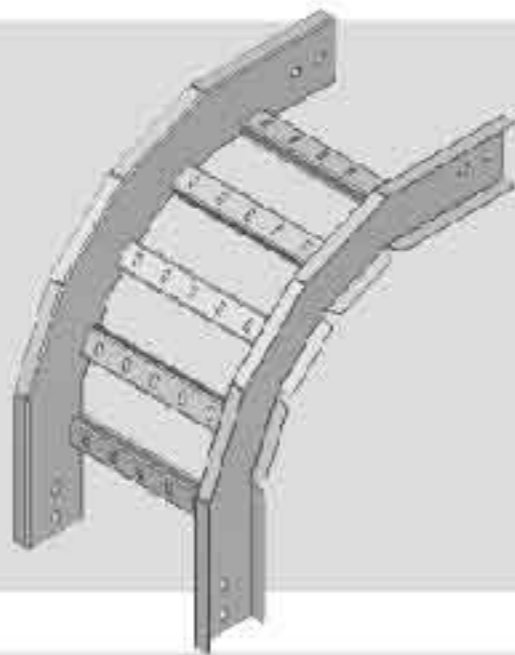
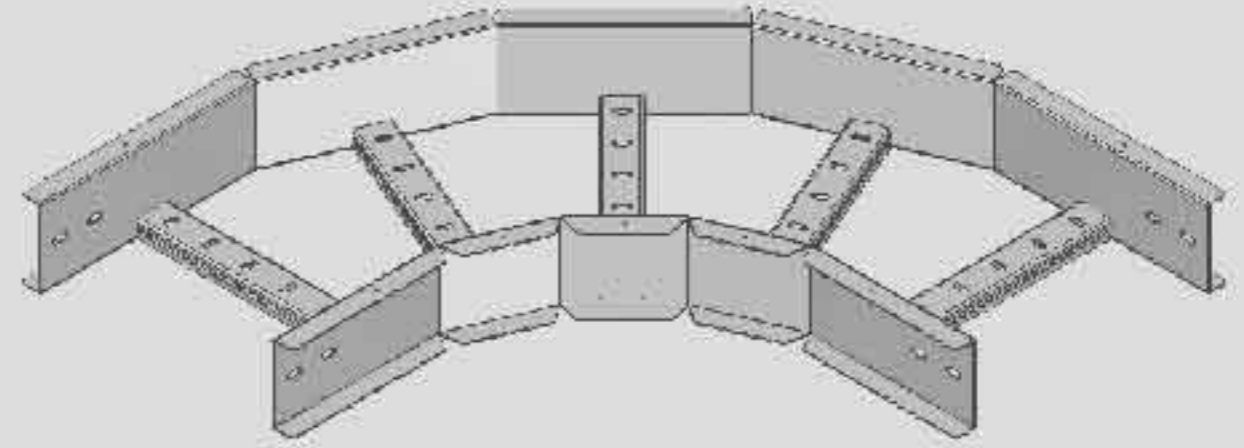


◀ **Straight Reducer**
SCL/C/O/WD AC-5

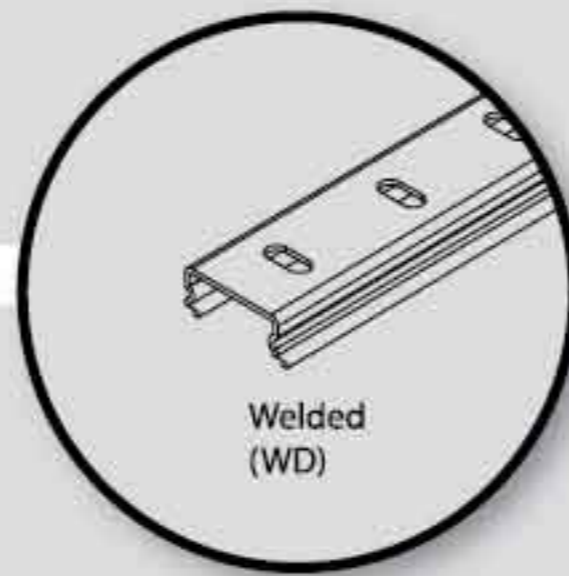
**Other design and sizes are available upon request.

"Type C - Outer" - WD 

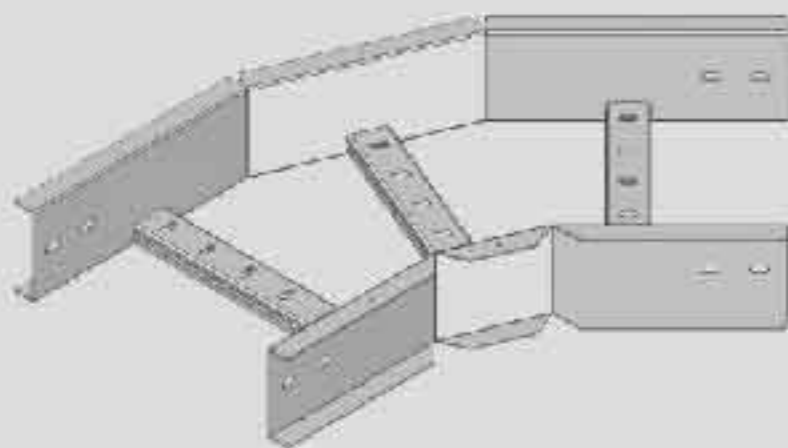
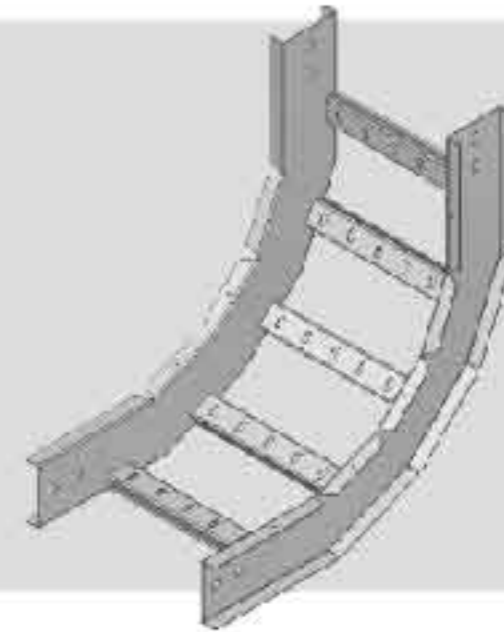
Flatwise Elbow ▶
SCL/C/O/WD AC-6



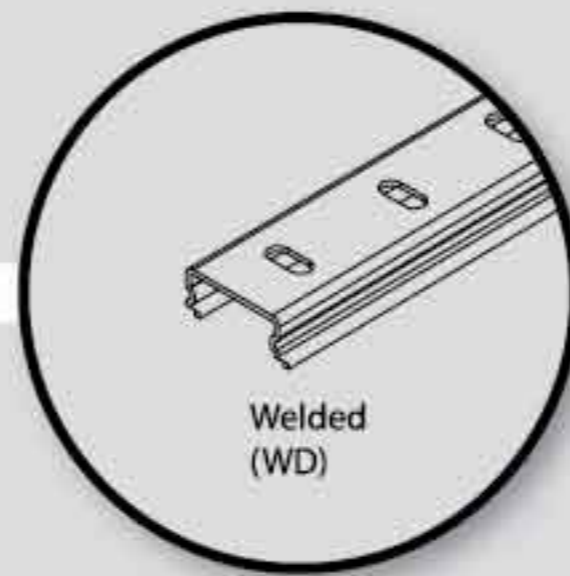
◀ Edgewise Elbow Left
SCL/C/O/WD AC-7



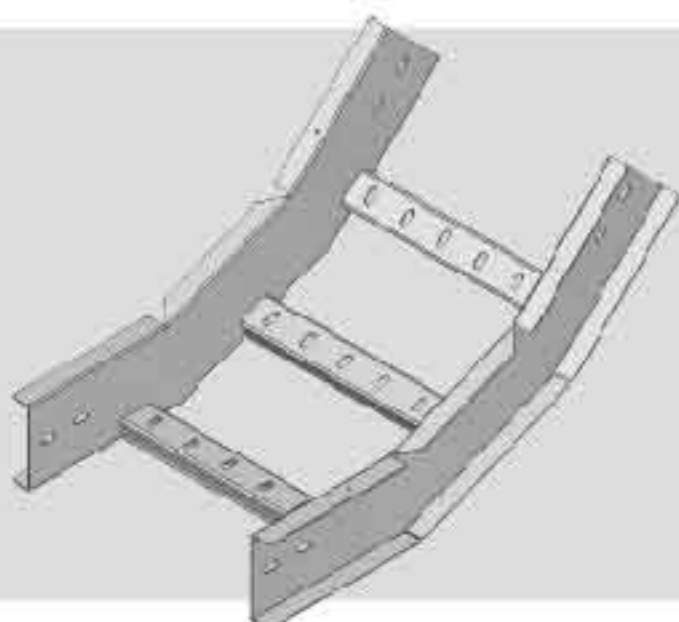
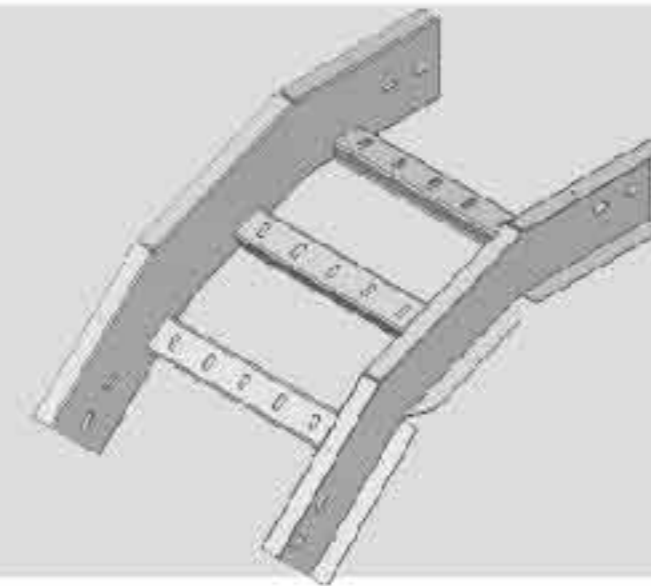
Edgewise Elbow Right ▶
SCL/C/O/WD AC-8



◀ Elbow Front
SCL/C/O/WD AC-9



Elbow Top ▶
SCL/C/O/WD AC-10



◀ Elbow Bottom
SCL/C/O/WD AC-11

**Other design and sizes are available upon request.

"Type C - Outer" - WD