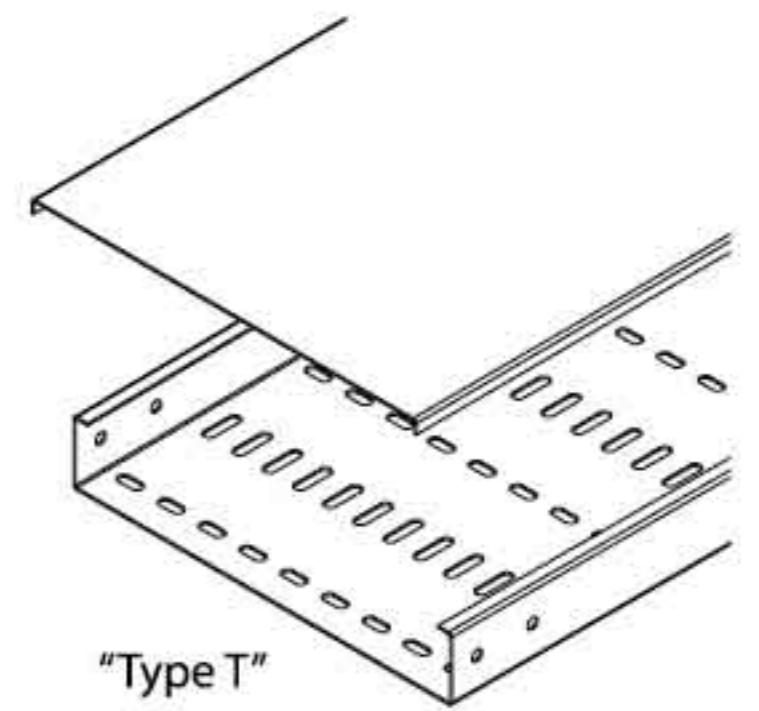
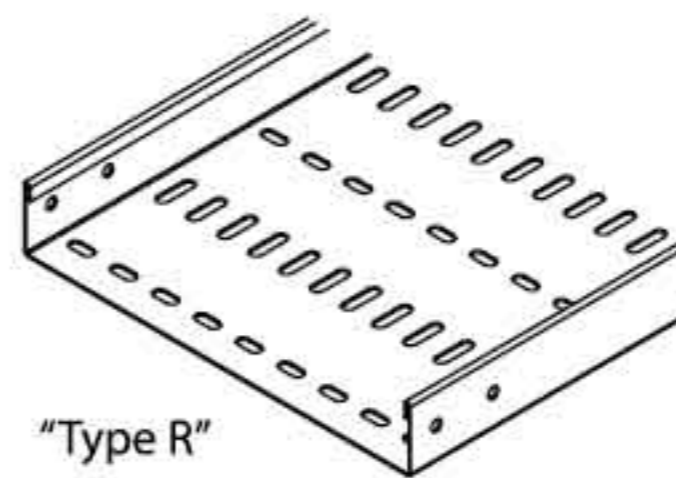
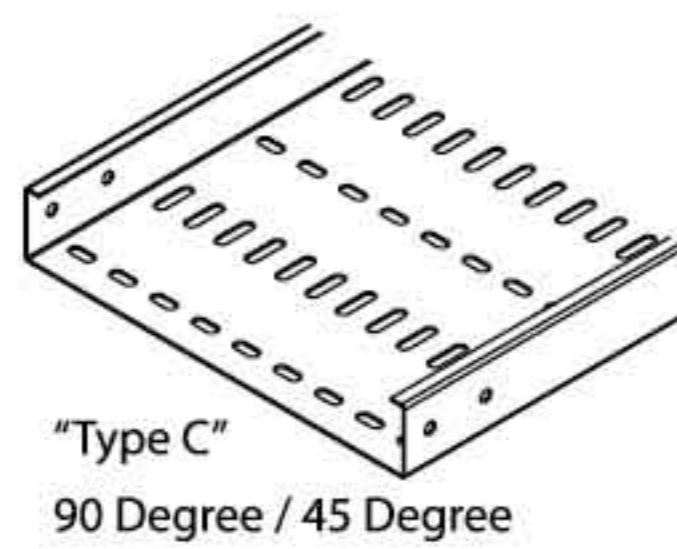
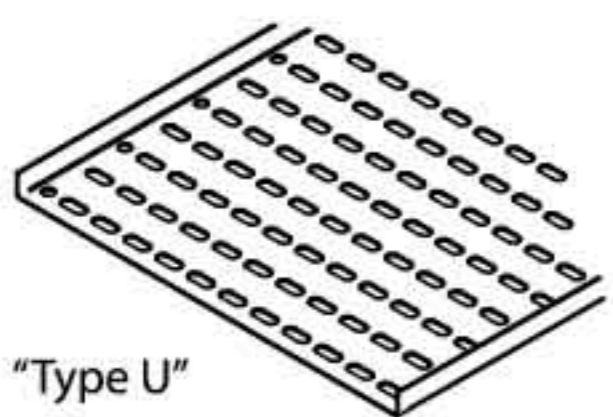
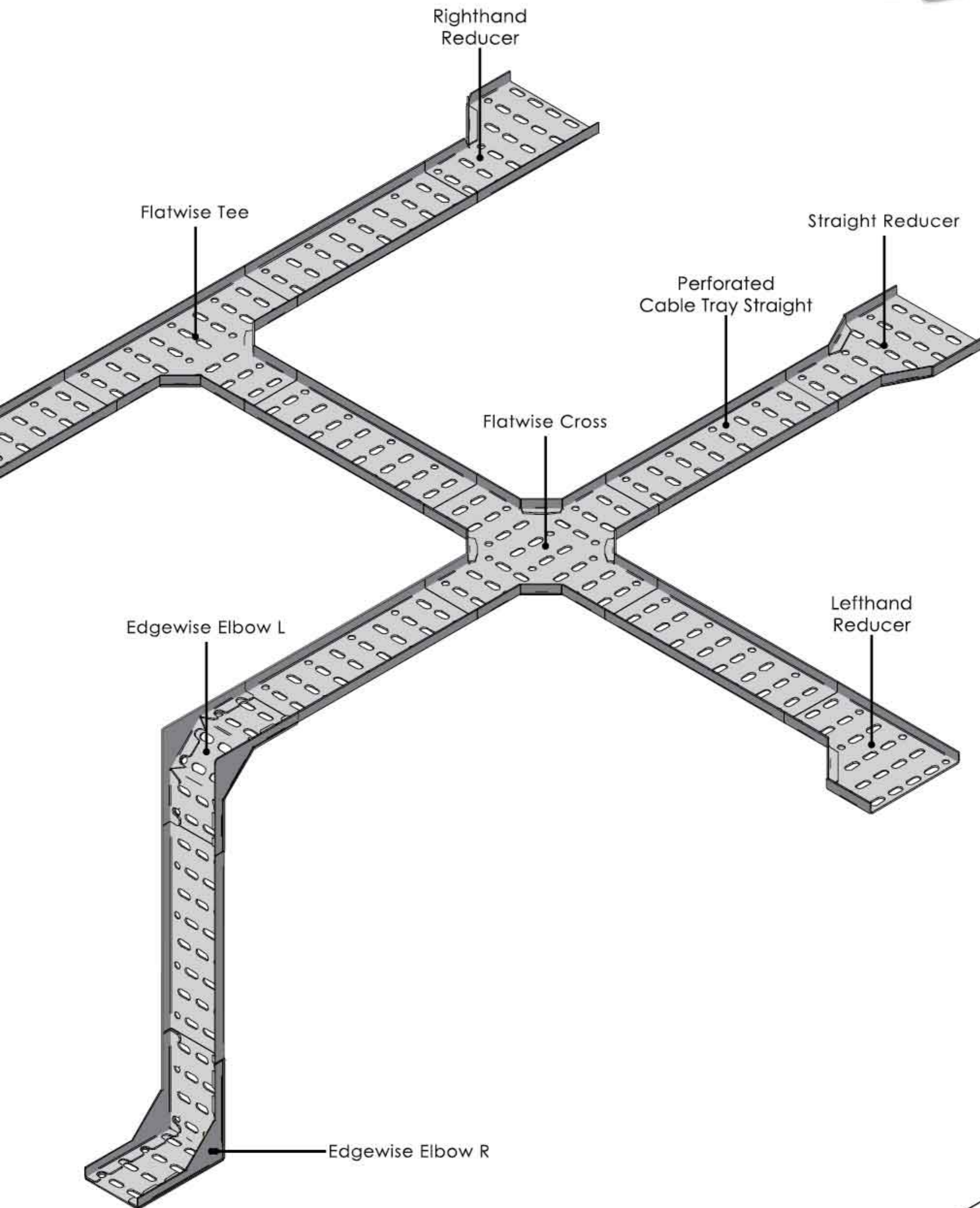
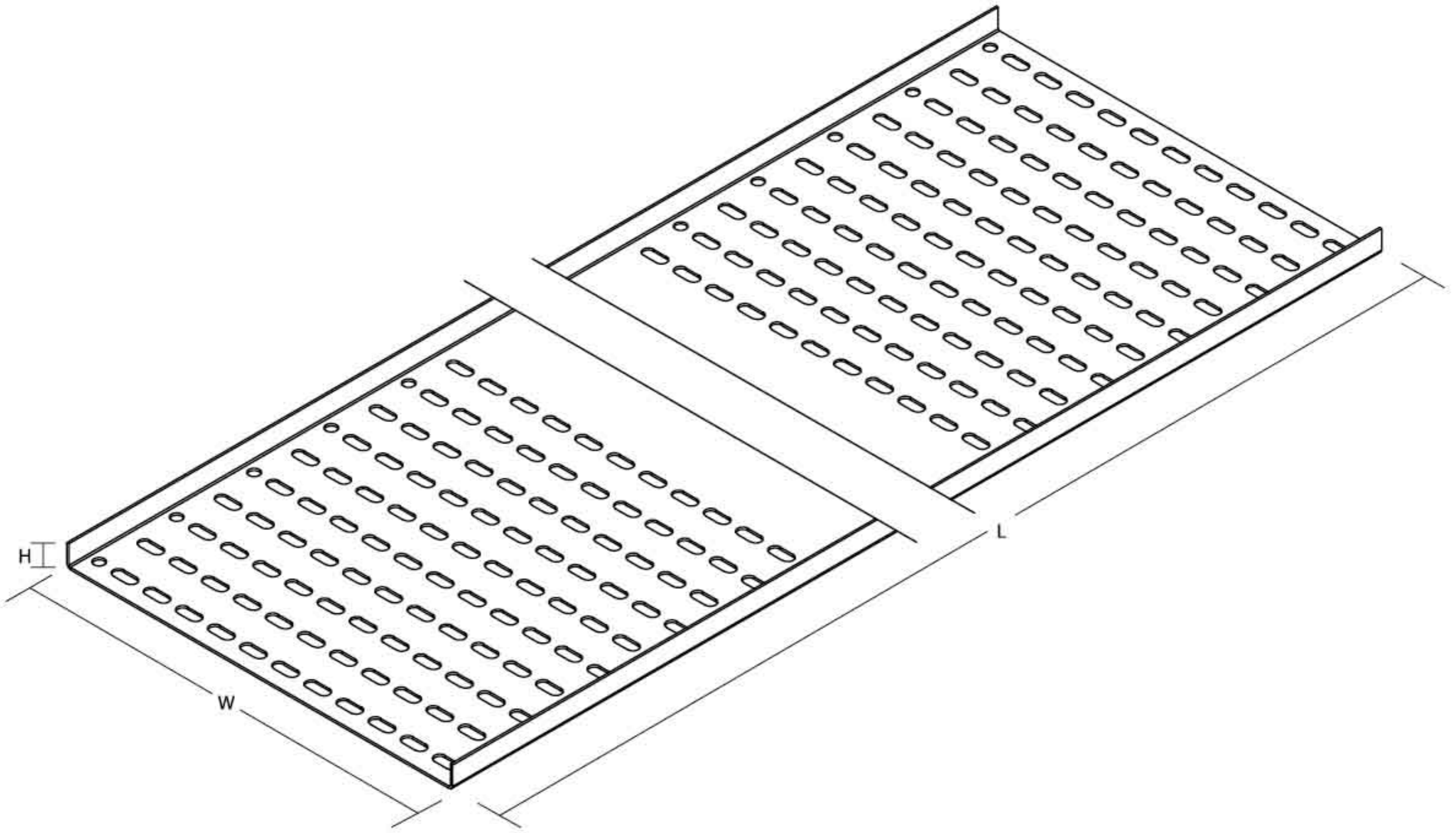


Perforated Cable Tray System

Cable tray is a unit or assembly of units or sections and associated fittings forming a rigid structural system used to securely fasten or support cables and raceways. Cable tray system is used to support insulated electrical cables used for power distribution, control, and communication. Cable trays are used as an alternative to open wiring or electrical conduit systems, and are commonly used for cable management in commercial and industrial construction. They are especially useful in situations where changes to a wiring system are anticipated, since new cables can be installed by laying them in the tray, instead of pulling them through a pipe. Cable tray are manufactured according to MS IEC 61537 standard.

Perforated Cable Tray Profile





Dimension in Millimeter (mm)

L : Length
W : Width
H : Height

Perforated Cable Tray Straight "Type U"

Model	Nominal Size (mm)		
	Body (LxWxH)	Joint Plate (WxL)	Thickness
SCT/U-(50x13)	2438 / 3000 x 50 x 13	43 x 150	1.5
SCT/U-(75x13)	2438 / 3000 x 75 x 13	68 x 150	1.5
SCT/U-(100x13)	2438 / 3000 x 100 x 13	93 x 150	1.5
SCT/U-(125x13)	2438 / 3000 x 125 x 13	118 x 150	1.5
SCT/U-(150x13)	2438 / 3000 x 150 x 13	143 x 150	1.5
SCT/U-(200x17)	2438 / 3000 x 200 x 17	193 x 150	1.5
SCT/U-(250x17)	2438 / 3000 x 250 x 17	243 x 150	1.5
SCT/U-(300x17)	2438 / 3000 x 300 x 17	293 x 150	1.5
SCT/U-(350x20)	2438 / 3000 x 350 x 20	342 x 150	2.0
SCT/U-(400x20)	2438 / 3000 x 400 x 20	392 x 150	2.0
SCT/U-(450x20)	2438 / 3000 x 450 x 20	442 x 150	2.0

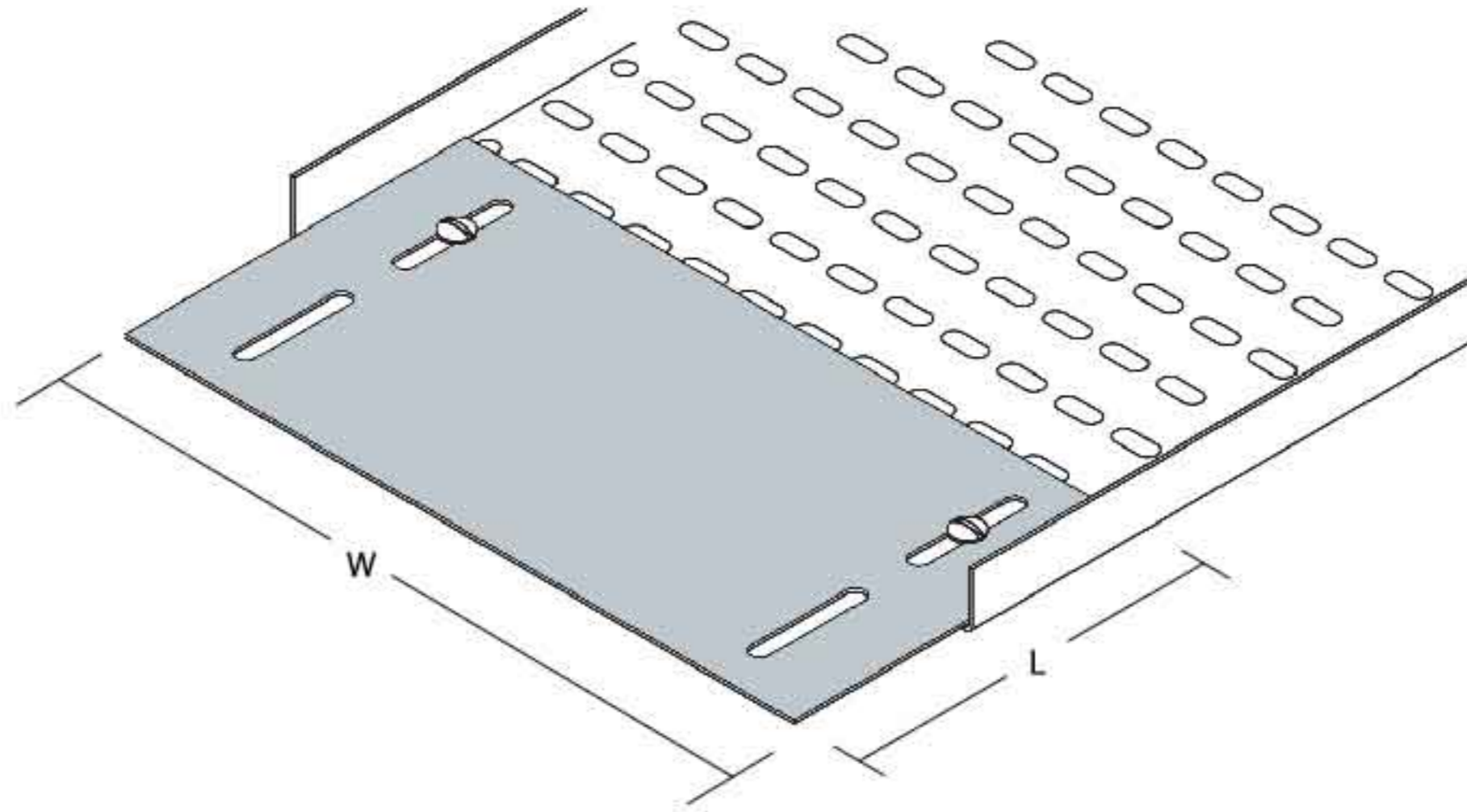
**Specification subject to change without prior notice.

***Thickness Tolerance with + - 10%

*For order information, please refer page 17.

Perforated Cable Tray System

Perforated Cable Tray Straight "Type U"



Joint Plate

*Separate purchase if need for tray joint plate



Dimension in Millimeter (mm)

L : Length
W : Width
H : Height

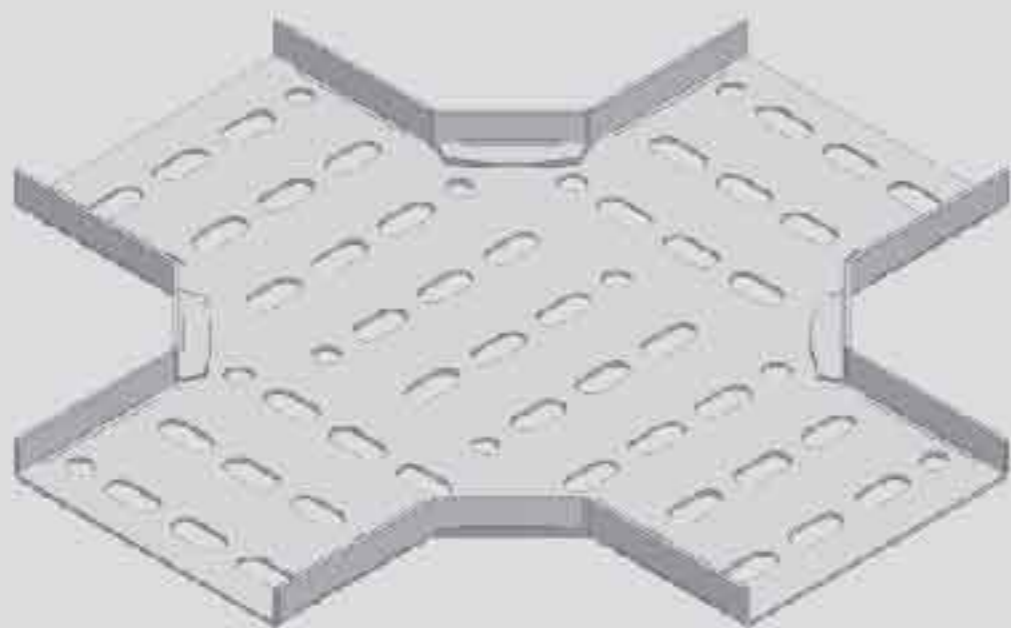
Perforated Cable Tray Straight "Type U"

Model	Nominal Size (mm)		
	Body (LxWxH)	Joint Plate (WxL)	Thickness
SCT/U-(500x25)	2438 / 3000 x 500 x 25	492 x 150	2.0
SCT/U-(550x25)	2438 / 3000 x 550 x 25	542 x 150	2.0
SCT/U-(600x25)	2438 / 3000 x 600 x 25	592 x 150	2.0
SCT/U-(650x25)	2438 / 3000 x 650 x 25	642 x 150	2.0
SCT/U-(700x25)	2438 / 3000 x 700 x 25	692 x 150	2.0
SCT/U-(750x25)	2438 / 3000 x 750 x 25	742 x 150	2.0
SCT/U-(800x25)	2438 / 3000 x 800 x 25	792 x 150	2.0
SCT/U-(850x25)	2438 / 3000 x 850 x 25	842 x 150	2.0
SCT/U-(900x25)	2438 / 3000 x 900 x 25	892 x 150	2.0
SCT/U-(950x25)	2438 / 3000 x 950 x 25	942 x 150	2.0
SCT/U-(1000x25)	2438 / 3000 x 1000 x 25	992 x 150	2.0

**Specification subject to change without prior notice.

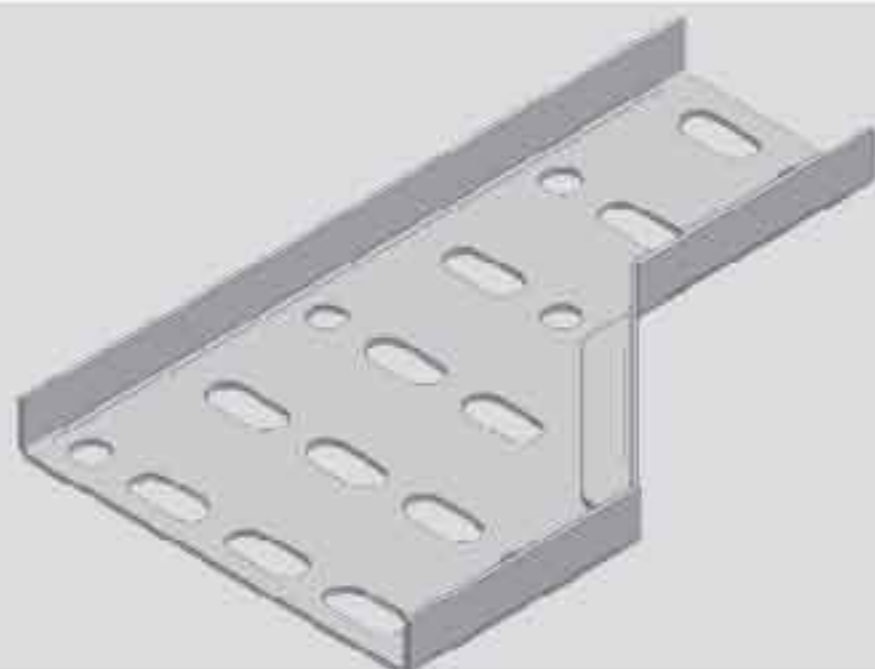
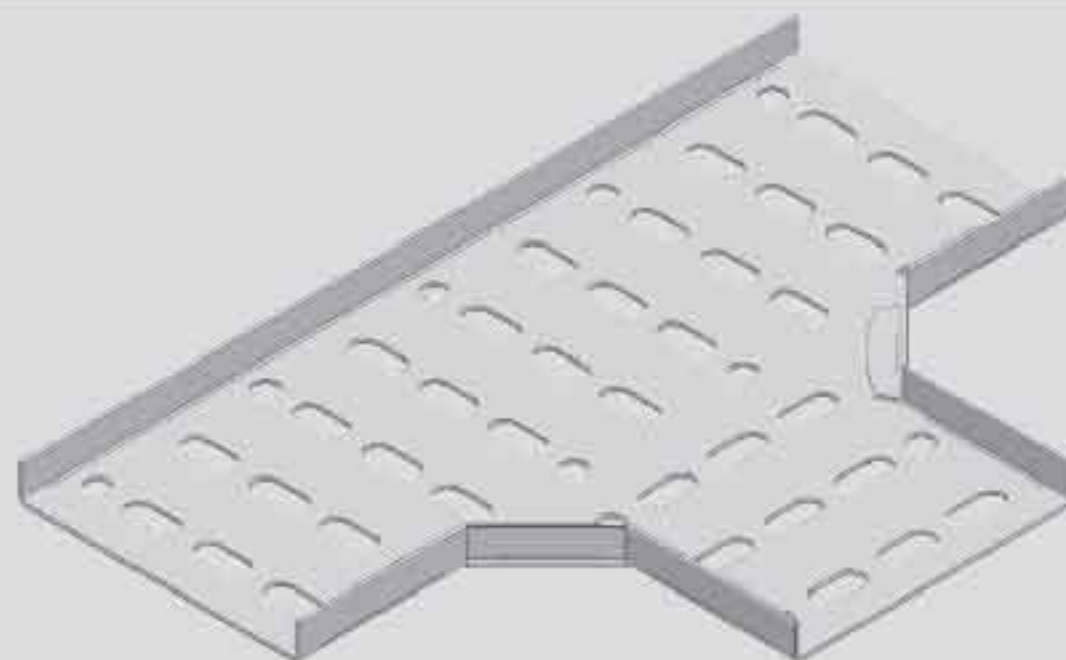
*For order information, please refer page 17.

***Thickness Tolerance with + - 10%



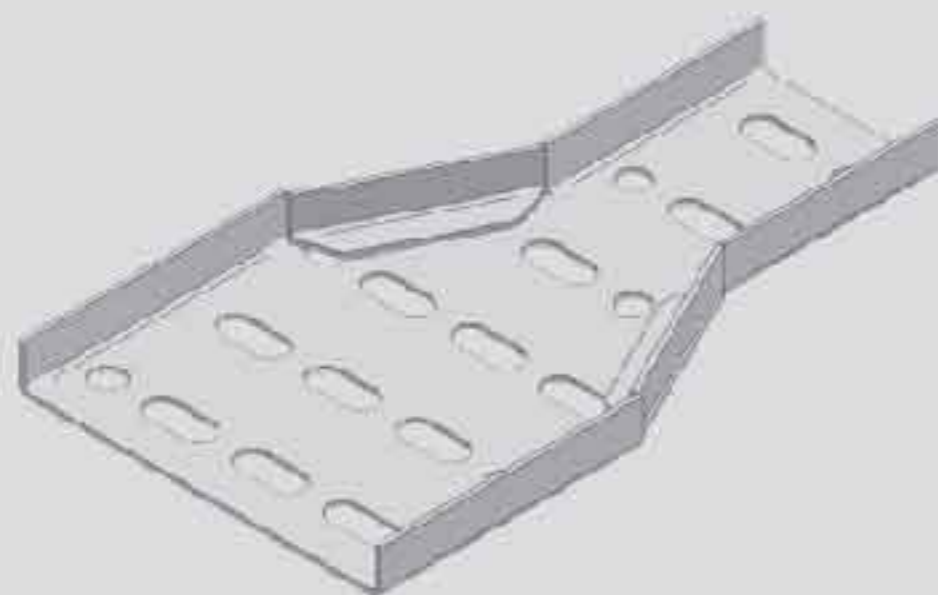
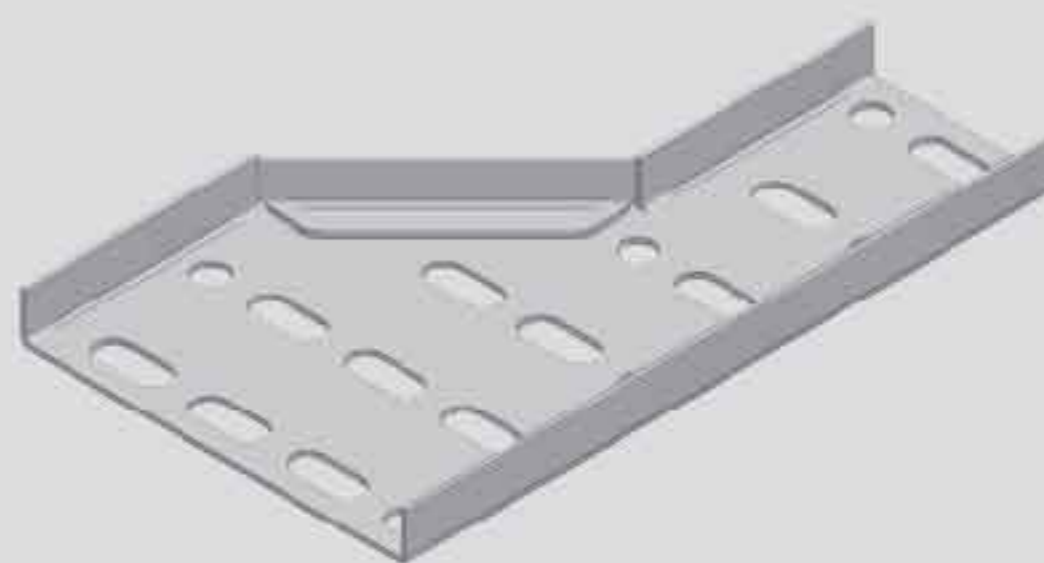
◀ **Flatwise Cross**
SCT/U AC-1

Flatwise Tee ▶
SCT/U AC-2



◀ **Righthand Reducer**
SCT/U AC-3

Lefthand Reducer ▶
SCT/U AC-4

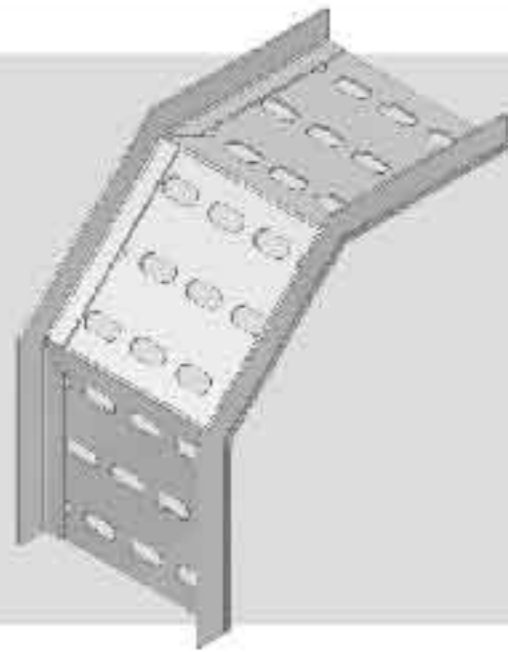


◀ **Straight Reducer**
SCT/U AC-5

**Other design and sizes are available upon request.

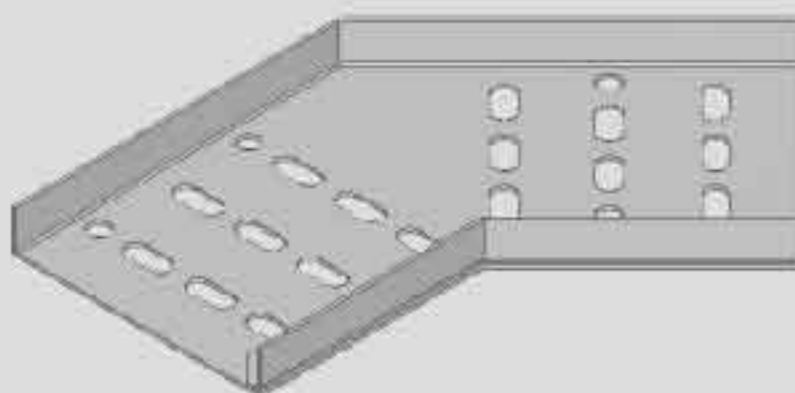
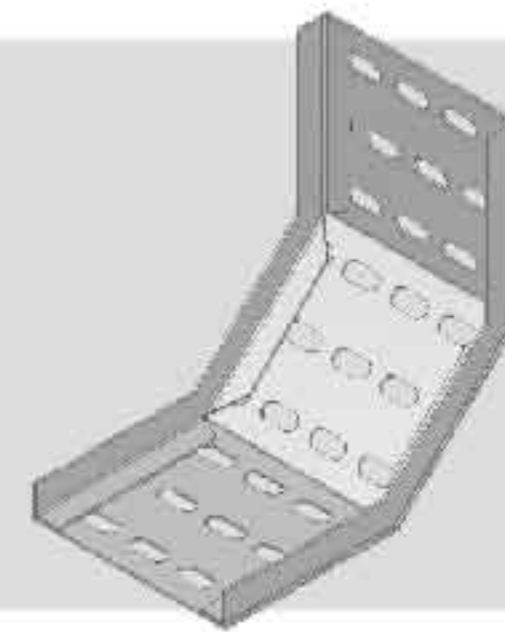
Type U 

Flatwise Elbow ▶
SCT/U AC-6



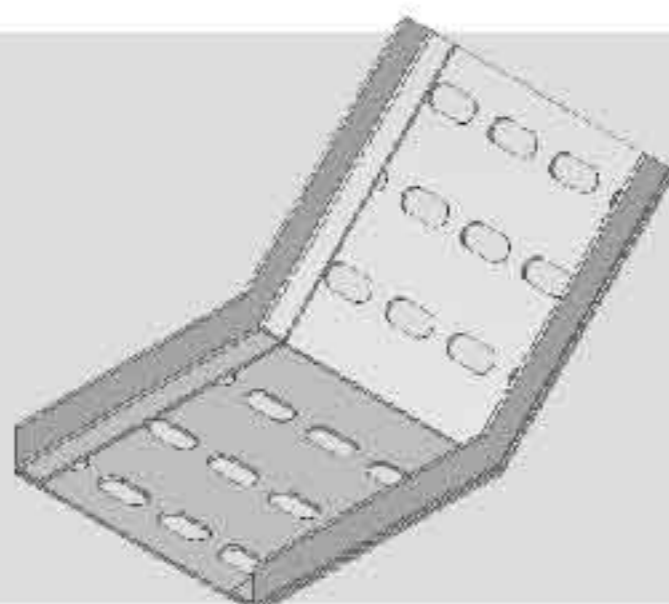
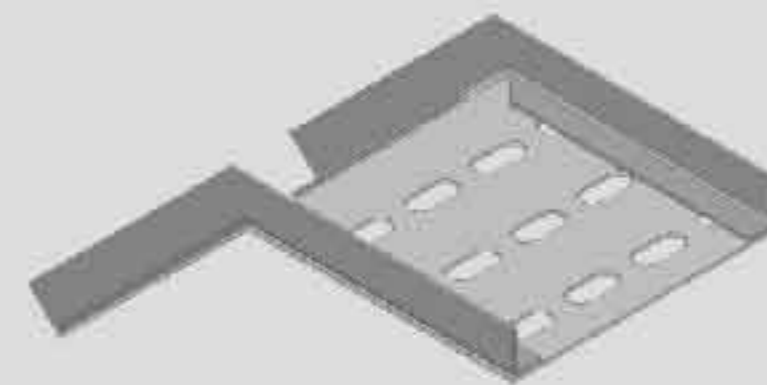
◀ Edgewise Elbow Left
SCT/U AC-7

Edgewise Elbow ▶
Right SCT/U AC-8



◀ Elbow Front
SCT/U AC-9

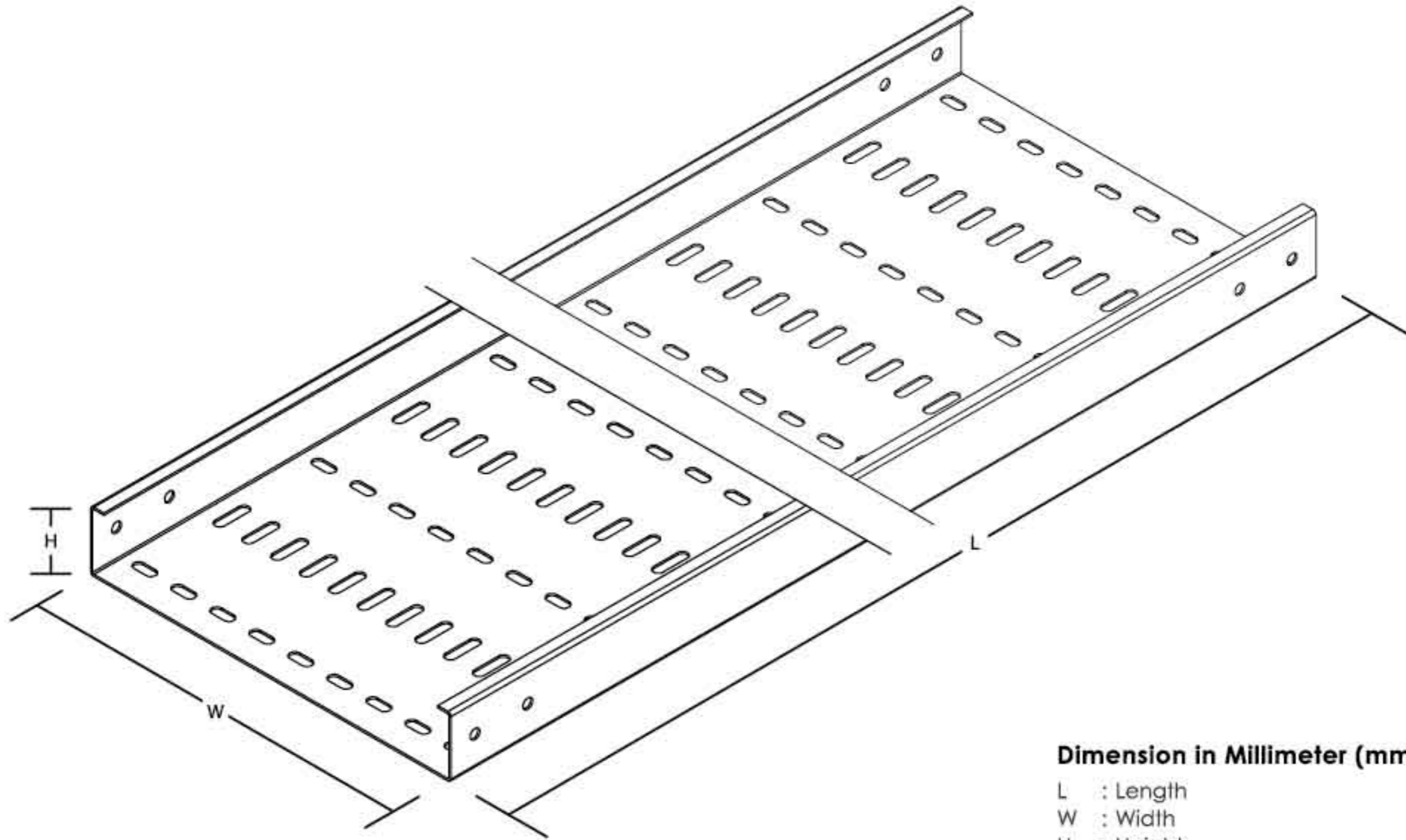
Elbow Top ▶
SCT/U AC-10



◀ Elbow Bottom
SCT/U AC-11

**Other design and sizes are available upon request.

Type U



Dimension in Millimeter (mm)

L : Length
W : Width
H : Height

Perforated Cable Tray Straight "Type C" - 90 Degree (90D)

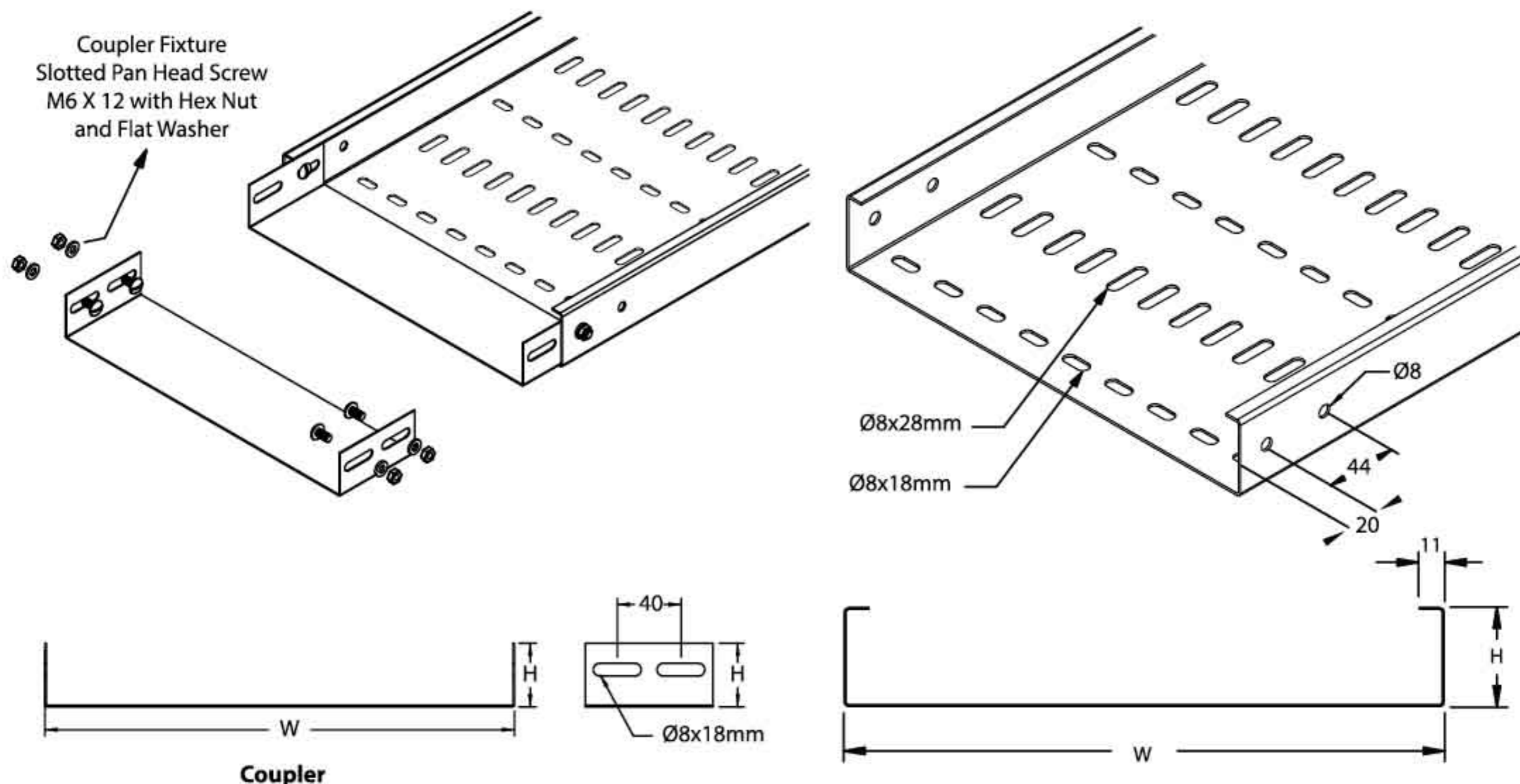
Model	Nominal Size (mm)		
	Body (LxWxH)	Coupler (H)	Thickness
SCT/C-(50X50)(90D)	2438 / 3000 x 50 x 50	30	1.5
SCT/C-(75X50)(90D)	2438 / 3000 x 75 x 50	30	1.5
SCT/C-(100X50)(90D)	2438 / 3000 x 100 x 50	30	1.5
SCT/C-(150X50)(90D)	2438 / 3000 x 150 x 50	30	1.5
SCT/C-(200X50)(90D)	2438 / 3000 x 200 x 50	30	1.5
SCT/C-(250X50)(90D)	2438 / 3000 x 250 x 50	30	1.5
SCT/C-(300X50)(90D)	2438 / 3000 x 300 x 50	30	1.5
SCT/C-(350X50)(90D)	2438 / 3000 x 350 x 50	30	2.0
SCT/C-(400X50)(90D)	2438 / 3000 x 400 x 50	30	2.0
SCT/C-(450X50)(90D)	2438 / 3000 x 450 x 50	30	2.0
SCT/C-(500X50)(90D)	2438 / 3000 x 500 x 50	30	2.0
SCT/C-(550X50)(90D)	2438 / 3000 x 550 x 50	30	2.0
SCT/C-(600X50)(90D)	2438 / 3000 x 600 x 50	30	2.0
SCT/C-(650X50)(90D)	2438 / 3000 x 650 x 50	30	2.0
SCT/C-(700X50)(90D)	2438 / 3000 x 700 x 50	30	2.0
SCT/C-(750X50)(90D)	2438 / 3000 x 750 x 50	30	2.0
SCT/C-(800X50)(90D)	2438 / 3000 x 800 x 50	30	2.0
SCT/C-(850X50)(90D)	2438 / 3000 x 850 x 50	30	2.0
SCT/C-(900X50)(90D)	2438 / 3000 x 900 x 50	30	2.0
SCT/C-(950X50)(90D)	2438 / 3000 x 950 x 50	30	2.0
SCT/C-(1000X50)(90D)	2438 / 3000 x 1000 x 50	30	2.0
SCT/C-(75X75)(90D)	2438 / 3000 x 75 x 75	55	1.5
SCT/C-(100X75)(90D)	2438 / 3000 x 100 x 75	55	1.5
SCT/C-(150X75)(90D)	2438 / 3000 x 150 x 75	55	1.5
SCT/C-(200X75)(90D)	2438 / 3000 x 200 x 75	55	1.5
SCT/C-(250X75)(90D)	2438 / 3000 x 250 x 75	55	1.5
SCT/C-(300X75)(90D)	2438 / 3000 x 300 x 75	55	1.5
SCT/C-(350X75)(90D)	2438 / 3000 x 350 x 75	55	2.0
SCT/C-(400X75)(90D)	2438 / 3000 x 400 x 75	55	2.0
SCT/C-(450X75)(90D)	2438 / 3000 x 450 x 75	55	2.0

**Specification subject to change without prior notice.
***Thickness Tolerance with + - 10%

*For order information, please refer page 17.

Perforated Cable Tray System

Perforated Cable Tray Straight "Type C" 90 Degree (90D)

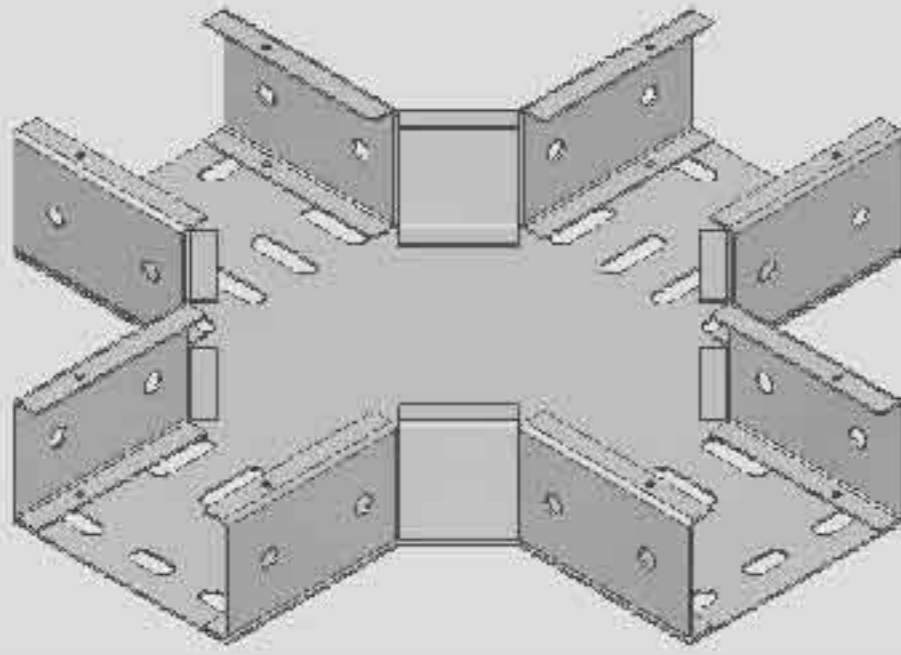


Perforated Cable Tray Straight "Type C" - 90 Degree (90D)

Model	Nominal Size (mm)		
	Body (LxWxH)	Coupler (H)	Thickness
SCT/C-(500X75)(90D)	2438 / 3000 x 500 x 75	55	2.0
SCT/C-(550X75)(90D)	2438 / 3000 x 550 x 75	55	2.0
SCT/C-(600X75)(90D)	2438 / 3000 x 600 x 75	55	2.0
SCT/C-(650X75)(90D)	2438 / 3000 x 650 x 75	55	2.0
SCT/C-(700X75)(90D)	2438 / 3000 x 700 x 75	55	2.0
SCT/C-(750X75)(90D)	2438 / 3000 x 750 x 75	55	2.0
SCT/C-(800X75)(90D)	2438 / 3000 x 800 x 75	55	2.0
SCT/C-(850X75)(90D)	2438 / 3000 x 850 x 75	55	2.0
SCT/C-(900X75)(90D)	2438 / 3000 x 900 x 75	55	2.0
SCT/C-(950X75)(90D)	2438 / 3000 x 950 x 75	55	2.0
SCT/C-(1000X75)(90D)	2438 / 3000 x 1000 x 75	55	2.0
SCT/C-(100X100)(90D)	2438 / 3000 x 100 x 100	79	1.5
SCT/C-(150X100)(90D)	2438 / 3000 x 150 x 100	79	1.5
SCT/C-(200X100)(90D)	2438 / 3000 x 200 x 100	79	1.5
SCT/C-(250X100)(90D)	2438 / 3000 x 250 x 100	79	1.5
SCT/C-(300X100)(90D)	2438 / 3000 x 300 x 100	79	1.5
SCT/C-(350X100)(90D)	2438 / 3000 x 350 x 100	79	2.0
SCT/C-(400X100)(90D)	2438 / 3000 x 400 x 100	79	2.0
SCT/C-(450X100)(90D)	2438 / 3000 x 450 x 100	79	2.0
SCT/C-(500X100)(90D)	2438 / 3000 x 500 x 100	79	2.0
SCT/C-(550X100)(90D)	2438 / 3000 x 550 x 100	79	2.0
SCT/C-(600X100)(90D)	2438 / 3000 x 600 x 100	79	2.0
SCT/C-(650X100)(90D)	2438 / 3000 x 650 x 100	79	2.0
SCT/C-(700X100)(90D)	2438 / 3000 x 700 x 100	79	2.0
SCT/C-(750X100)(90D)	2438 / 3000 x 750 x 100	79	2.0
SCT/C-(800X100)(90D)	2438 / 3000 x 800 x 100	79	2.0
SCT/C-(850X100)(90D)	2438 / 3000 x 850 x 100	79	2.0
SCT/C-(900X100)(90D)	2438 / 3000 x 900 x 100	79	2.0
SCT/C-(950X100)(90D)	2438 / 3000 x 950 x 100	79	2.0
SCT/C-(1000X100)(90D)	2438 / 3000 x 1000 x 100	79	2.0

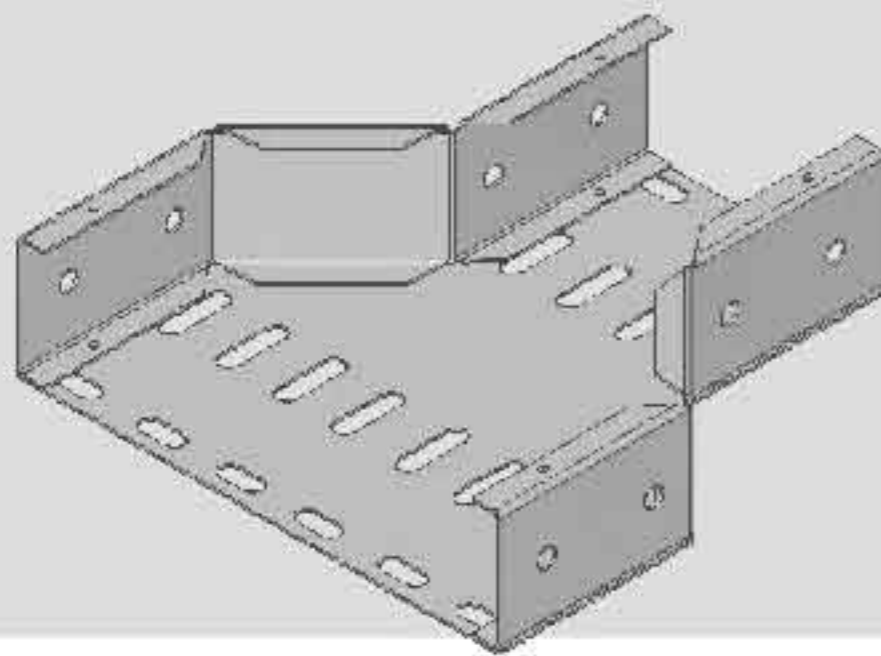
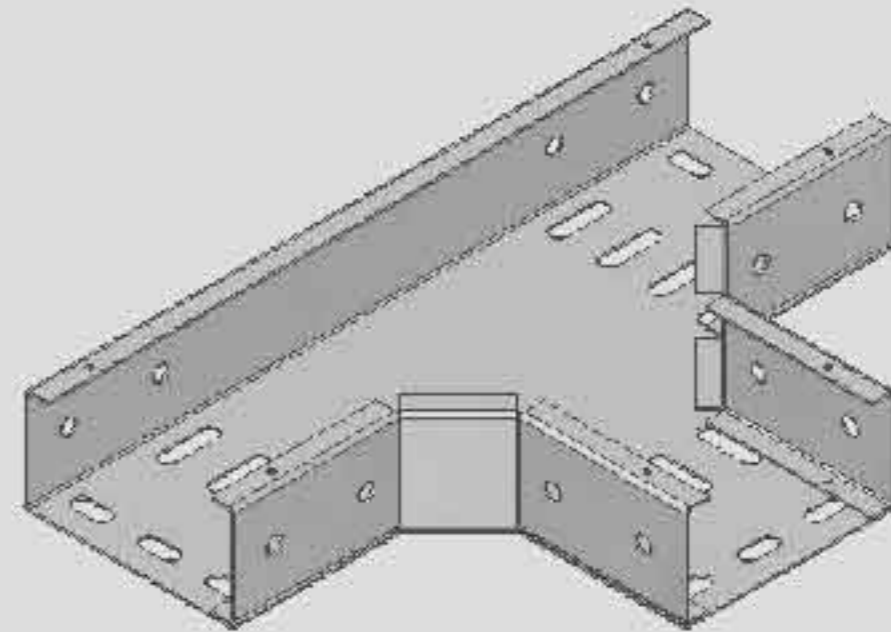
**Specification subject to change without prior notice.
 ***Thickness Tolerance with + - 10%

*For order information, please refer page 17.



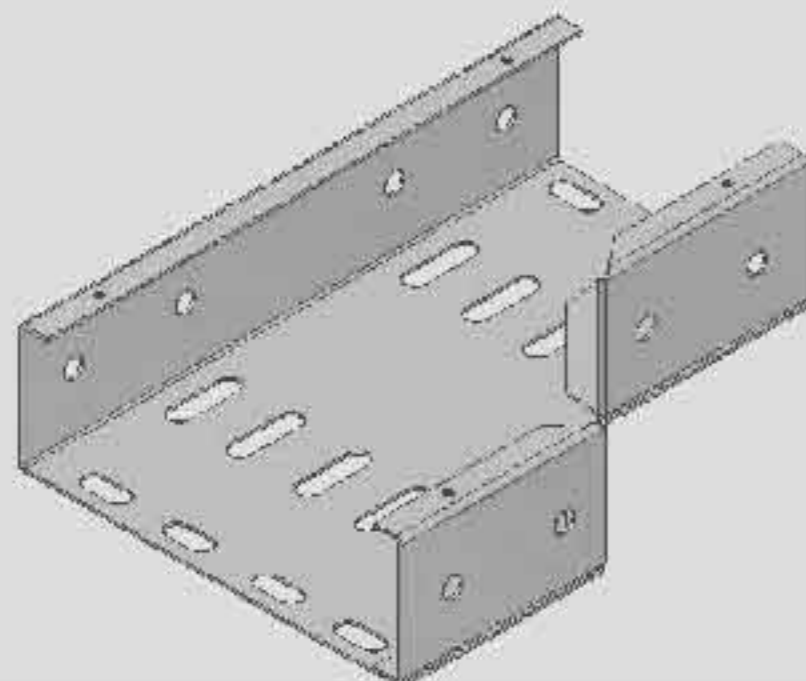
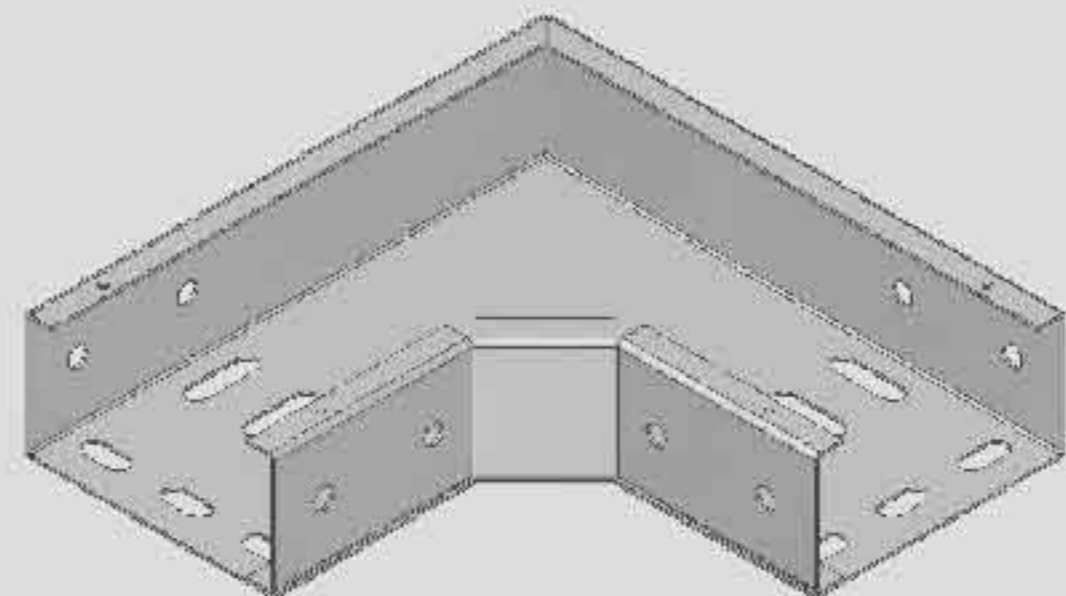
◀ **Flatwise Cross**
SCT/C (90D) AC-1

Flatwise Tee ▶
SCT/C (90D) AC-2



◀ **Straight Reducer**
SCT/C (90D) AC-5

Flatwise Elbow ▶
SCT/C (90D) AC-6

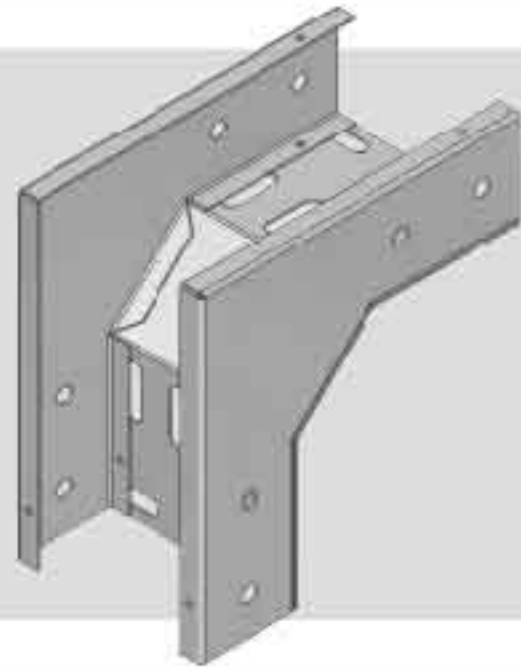
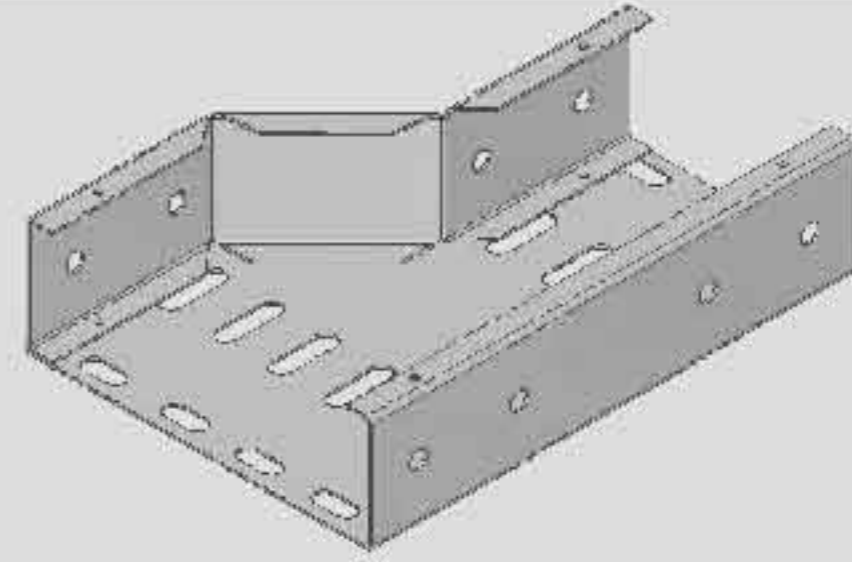


◀ **Righthand Reducer**
SCT/C (90D) AC-3

**Other design and sizes are available upon request.

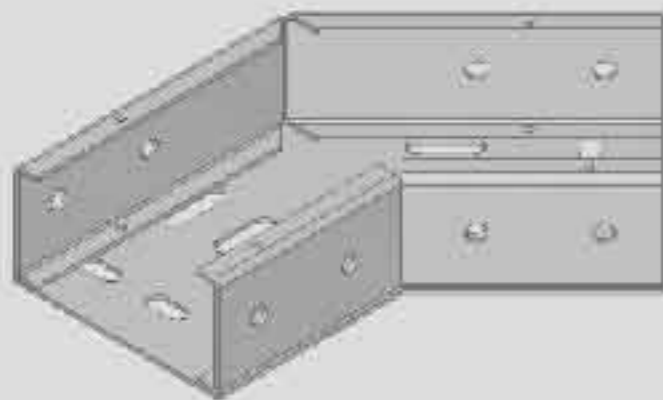
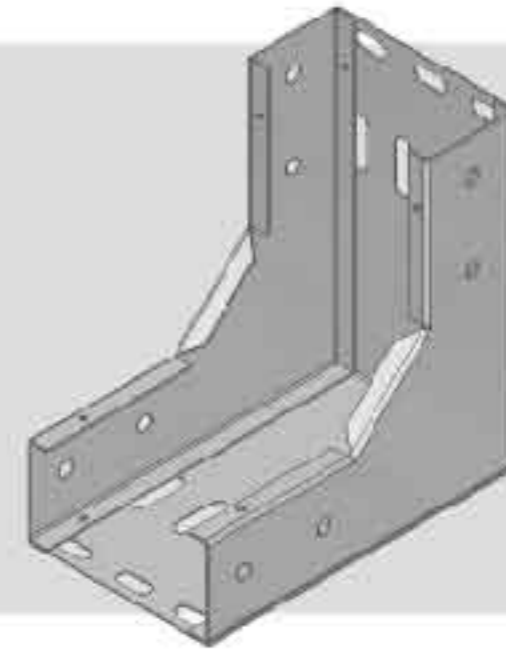
"Type C" (90D) 

Lefthand Reducer ▶
SCT/C (90D) AC-4



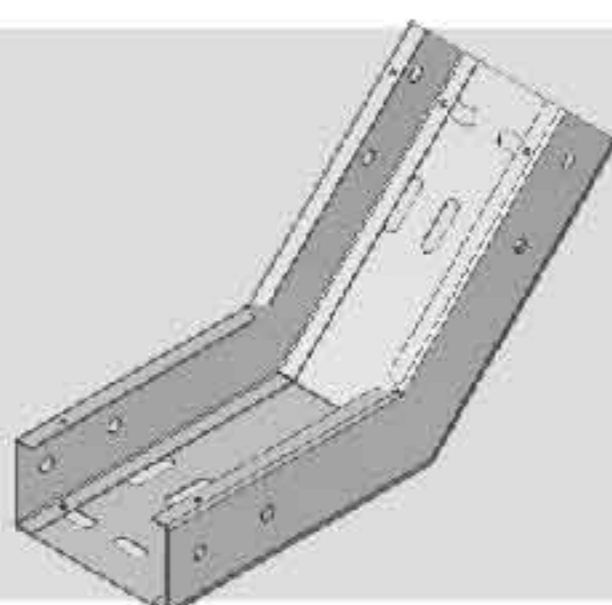
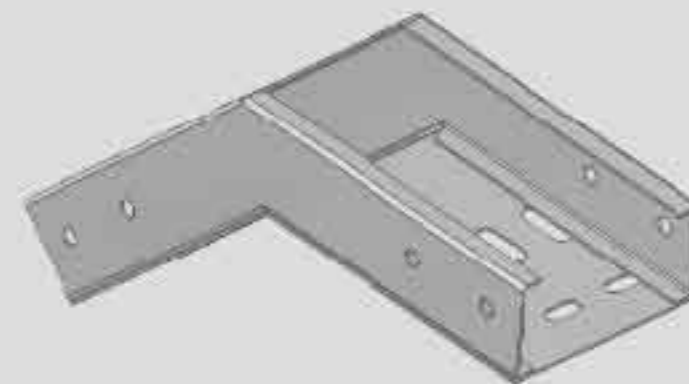
◀ Edgewise Elbow Left
SCT/C (90D) AC-7

Edgewise Elbow Right ▶
SCT/C (90D) AC-8



◀ Elbow Front
SCT/C (90D) AC-9

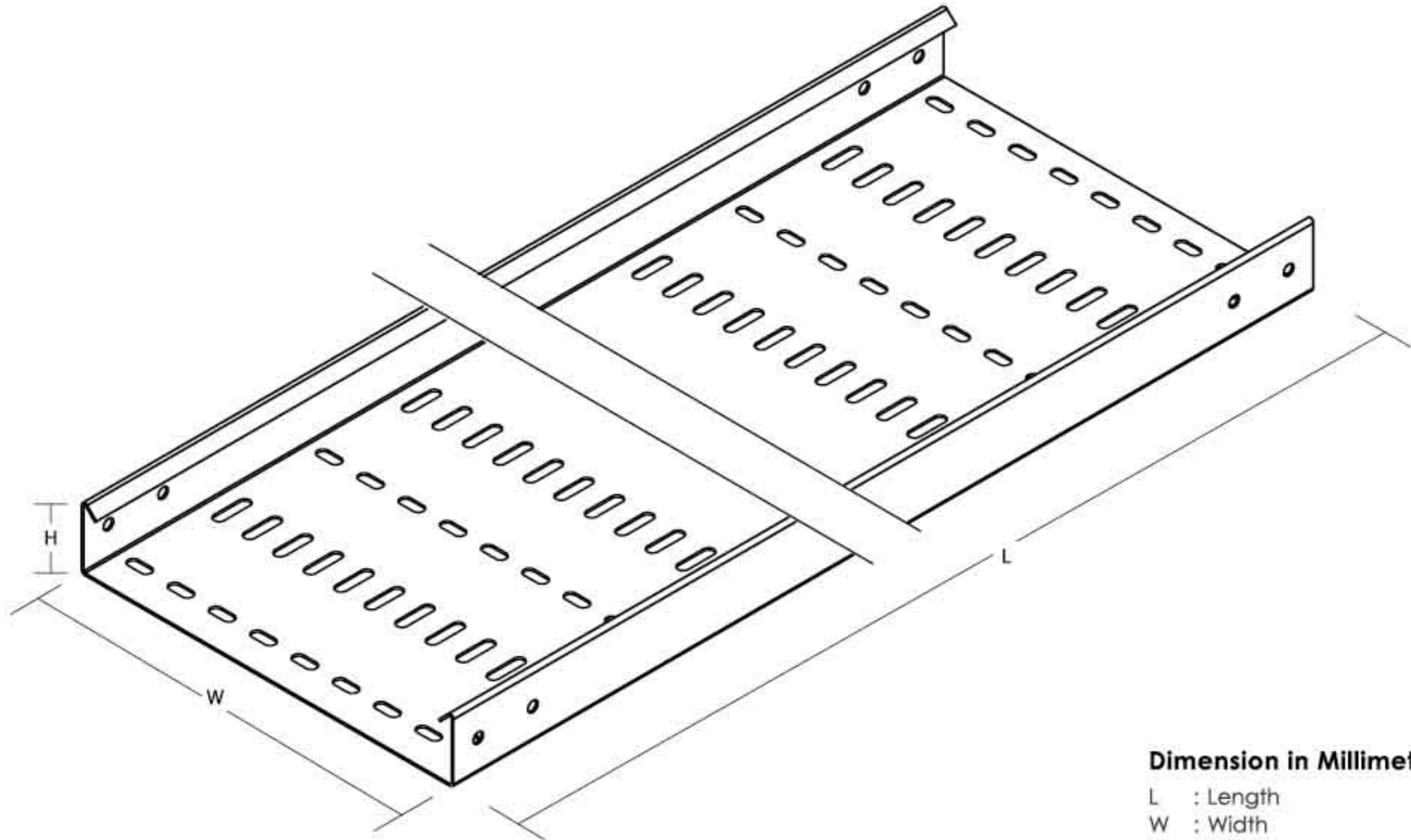
Elbow Top ▶
SCT/C (90D) AC-10



◀ Elbow Bottom
SCT/C (90D) AC-11

**Other design and sizes are available upon request.

"Type C" (90D) 



Dimension in Millimeter (mm)

L : Length
W : Width
H : Height

Perforated Cable Tray Straight "Type C" - 45 Degree (45D)

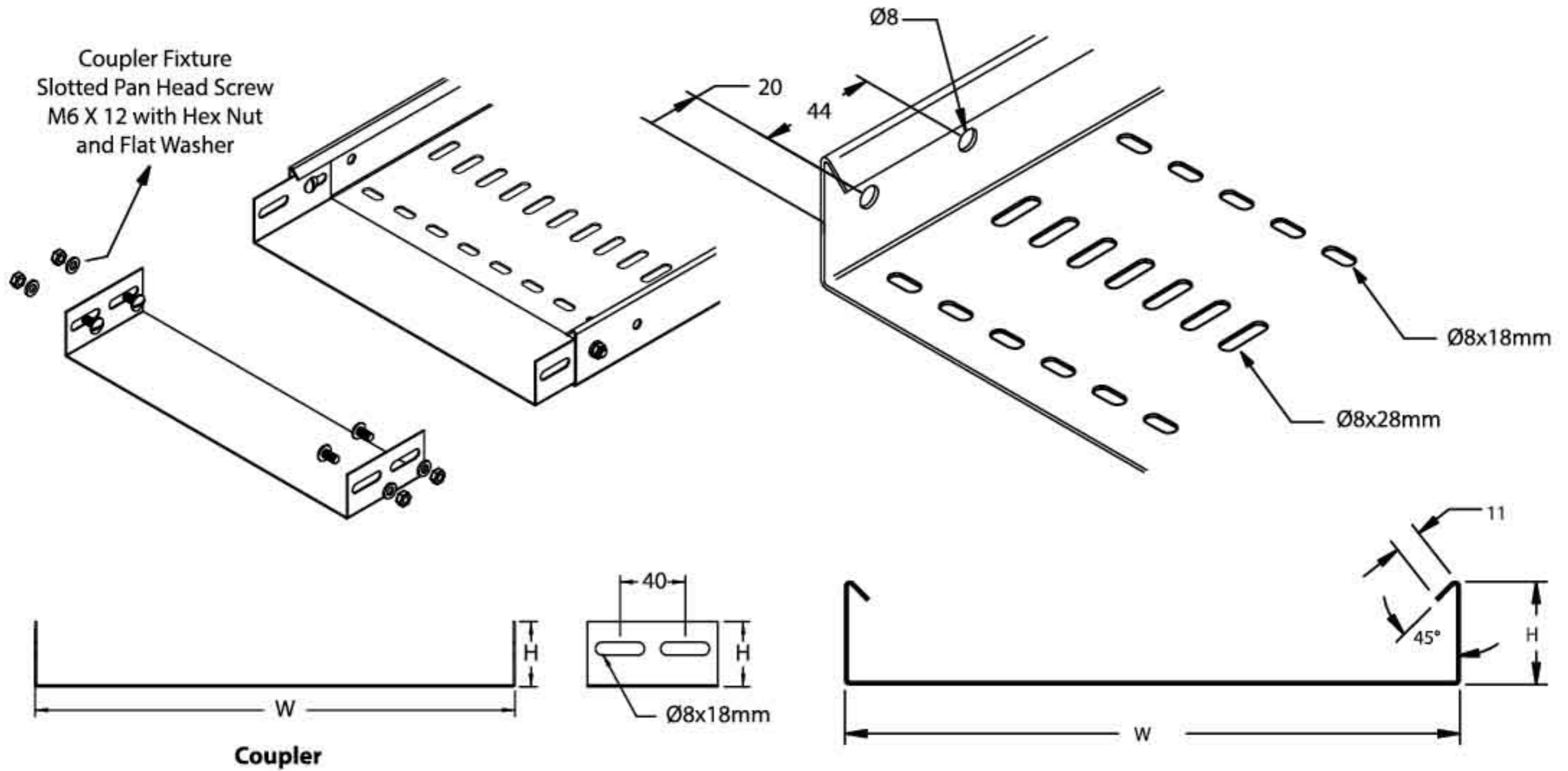
Model	Nominal Size (mm)		
	Body (LxWxH)	Coupler (H)	Thickness
SCT/C-(50X50)(45D)	2438 / 3000 x 50 x 50	30	1.5
SCT/C-(75X50)(45D)	2438 / 3000 x 75 x 50	30	1.5
SCT/C-(100X50)(45D)	2438 / 3000 x 100 x 50	30	1.5
SCT/C-(150X50)(45D)	2438 / 3000 x 150 x 50	30	1.5
SCT/C-(200X50)(45D)	2438 / 3000 x 200 x 50	30	1.5
SCT/C-(250X50)(45D)	2438 / 3000 x 250 x 50	30	1.5
SCT/C-(300X50)(45D)	2438 / 3000 x 300 x 50	30	1.5
SCT/C-(350X50)(45D)	2438 / 3000 x 350 x 50	30	2.0
SCT/C-(400X50)(45D)	2438 / 3000 x 400 x 50	30	2.0
SCT/C-(450X50)(45D)	2438 / 3000 x 450 x 50	30	2.0
SCT/C-(500X50)(45D)	2438 / 3000 x 500 x 50	30	2.0
SCT/C-(550X50)(45D)	2438 / 3000 x 550 x 50	30	2.0
SCT/C-(600X50)(45D)	2438 / 3000 x 600 x 50	30	2.0
SCT/C-(650X50)(45D)	2438 / 3000 x 650 x 50	30	2.0
SCT/C-(700X50)(45D)	2438 / 3000 x 700 x 50	30	2.0
SCT/C-(750X50)(45D)	2438 / 3000 x 750 x 50	30	2.0
SCT/C-(800X50)(45D)	2438 / 3000 x 800 x 50	30	2.0
SCT/C-(850X50)(45D)	2438 / 3000 x 850 x 50	30	2.0
SCT/C-(900X50)(45D)	2438 / 3000 x 900 x 50	30	2.0
SCT/C-(950X50)(45D)	2438 / 3000 x 950 x 50	30	2.0
SCT/C-(1000X50)(45D)	2438 / 3000 x 1000 x 50	30	2.0
SCT/C-(75X75)(45D)	2438 / 3000 x 75 x 75	55	1.5
SCT/C-(100X75)(45D)	2438 / 3000 x 100 x 75	55	1.5
SCT/C-(150X75)(45D)	2438 / 3000 x 150 x 75	55	1.5
SCT/C-(200X75)(45D)	2438 / 3000 x 200 x 75	55	1.5
SCT/C-(250X75)(45D)	2438 / 3000 x 250 x 75	55	1.5
SCT/C-(300X75)(45D)	2438 / 3000 x 300 x 75	55	1.5
SCT/C-(350X75)(45D)	2438 / 3000 x 350 x 75	55	2.0
SCT/C-(400X75)(45D)	2438 / 3000 x 400 x 75	55	2.0
SCT/C-(450X75)(45D)	2438 / 3000 x 450 x 75	55	2.0

**Specification subject to change without prior notice.
***Thickness Tolerance with + - 10%

*For order information, please refer page 17.

Perforated Cable Tray System

Perforated Cable Tray Straight "Type C" 45 Degree (45D)

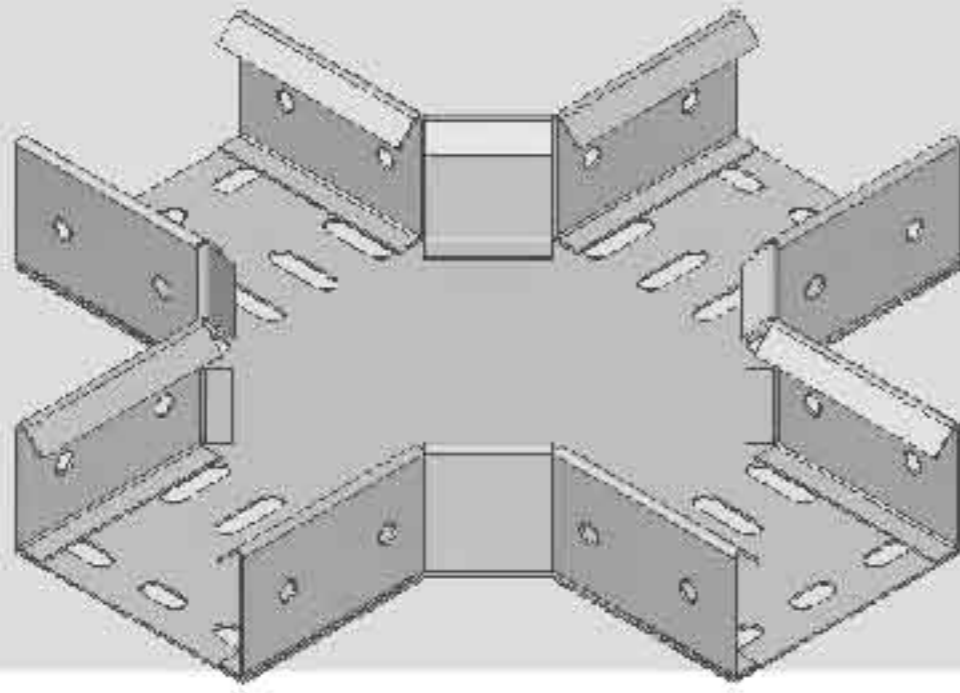


Perforated Cable Tray Straight "Type C" - 45 Degree (45D)

Model	Nominal Size (mm)		
	Body (LxWxH)	Coupler (H)	Thickness
SCT/C-(500X75)(45D)	2438 / 3000 x 500 x 75	55	2.0
SCT/C-(550X75)(45D)	2438 / 3000 x 550 x 75	55	2.0
SCT/C-(600X75)(45D)	2438 / 3000 x 600 x 75	55	2.0
SCT/C-(650X75)(45D)	2438 / 3000 x 650 x 75	55	2.0
SCT/C-(700X75)(45D)	2438 / 3000 x 700 x 75	55	2.0
SCT/C-(750X75)(45D)	2438 / 3000 x 750 x 75	55	2.0
SCT/C-(800X75)(45D)	2438 / 3000 x 800 x 75	55	2.0
SCT/C-(850X75)(45D)	2438 / 3000 x 850 x 75	55	2.0
SCT/C-(900X75)(45D)	2438 / 3000 x 900 x 75	55	2.0
SCT/C-(950X75)(45D)	2438 / 3000 x 950 x 75	55	2.0
SCT/C-(1000X75)(45D)	2438 / 3000 x 1000 x 75	55	2.0
SCT/C-(100X100)(45D)	2438 / 3000 x 100 x 100	79	1.5
SCT/C-(150X100)(45D)	2438 / 3000 x 150 x 100	79	1.5
SCT/C-(200X100)(45D)	2438 / 3000 x 200 x 100	79	1.5
SCT/C-(250X100)(45D)	2438 / 3000 x 250 x 100	79	1.5
SCT/C-(300X100)(45D)	2438 / 3000 x 300 x 100	79	1.5
SCT/C-(350X100)(45D)	2438 / 3000 x 350 x 100	79	2.0
SCT/C-(400X100)(45D)	2438 / 3000 x 400 x 100	79	2.0
SCT/C-(450X100)(45D)	2438 / 3000 x 450 x 100	79	2.0
SCT/C-(500X100)(45D)	2438 / 3000 x 500 x 100	79	2.0
SCT/C-(550X100)(45D)	2438 / 3000 x 550 x 100	79	2.0
SCT/C-(600X100)(45D)	2438 / 3000 x 600 x 100	79	2.0
SCT/C-(650X100)(45D)	2438 / 3000 x 650 x 100	79	2.0
SCT/C-(700X100)(45D)	2438 / 3000 x 700 x 100	79	2.0
SCT/C-(750X100)(45D)	2438 / 3000 x 750 x 100	79	2.0
SCT/C-(800X100)(45D)	2438 / 3000 x 800 x 100	79	2.0
SCT/C-(850X100)(45D)	2438 / 3000 x 850 x 100	79	2.0
SCT/C-(900X100)(45D)	2438 / 3000 x 900 x 100	79	2.0
SCT/C-(950X100)(45D)	2438 / 3000 x 950 x 100	79	2.0
SCT/C-(1000X100)(45D)	2438 / 3000 x 1000 x 100	79	2.0

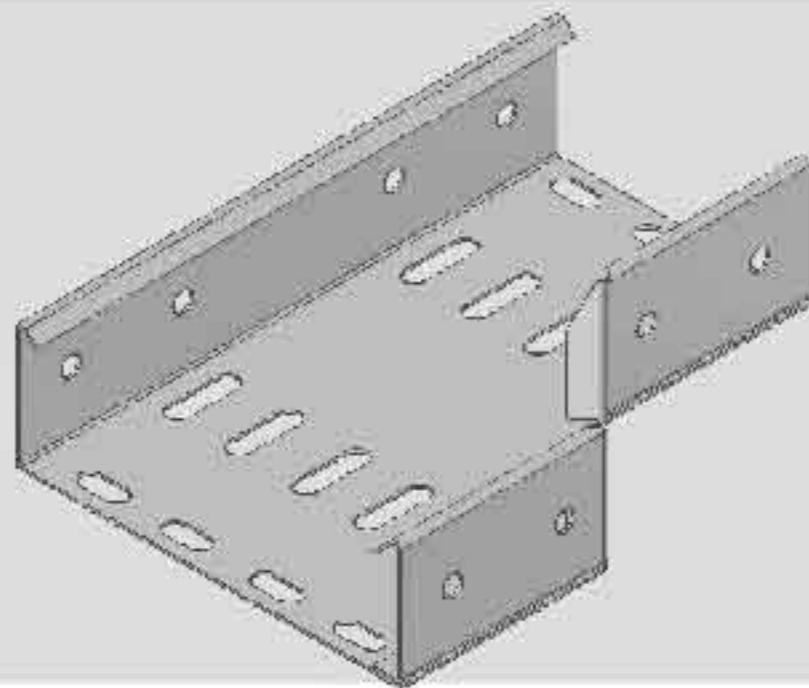
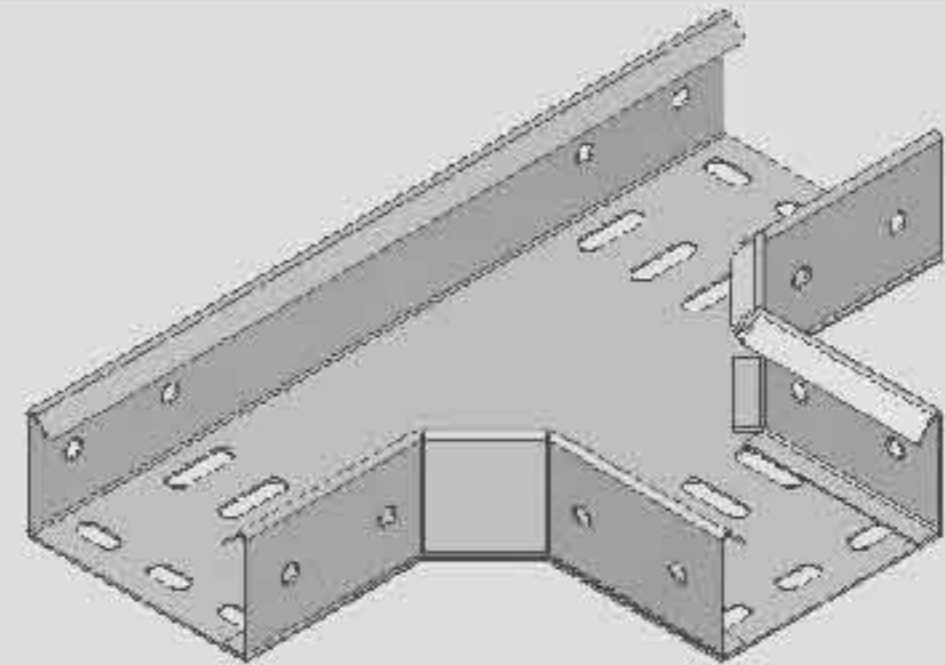
**Specification subject to change without prior notice.
 ***Thickness Tolerance with + - 10%

*For order information, please refer page 17.



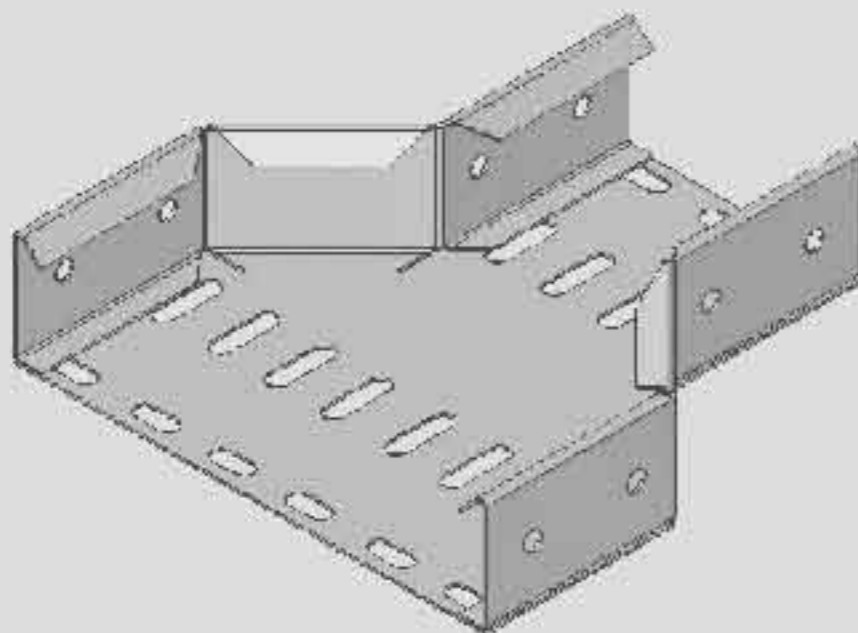
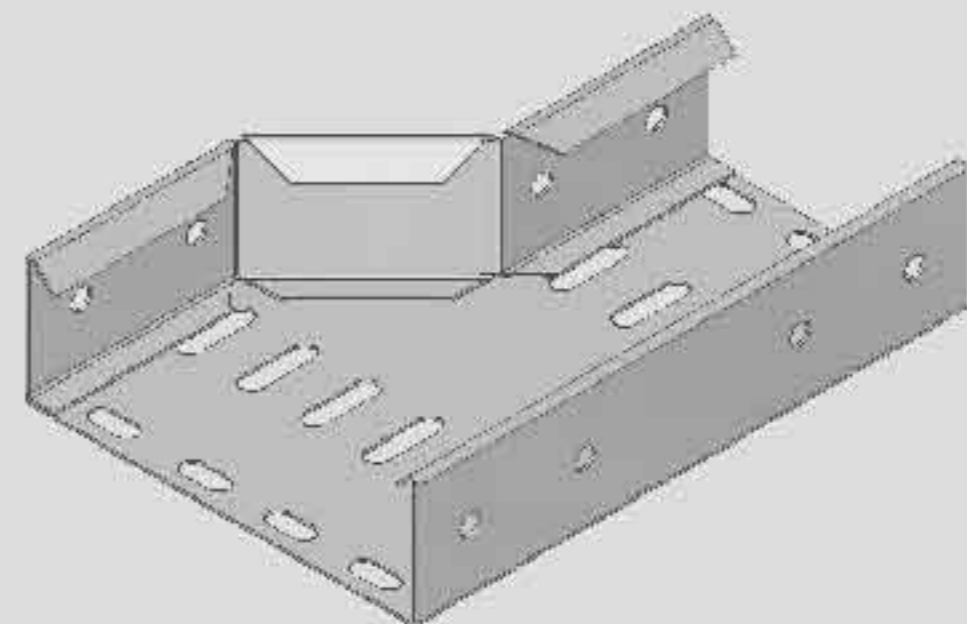
◀ **Flatwise Cross**
SCT/C (45D) AC-1

Flatwise Tee ▶
SCT/C (45D) AC-2



◀ **Righthand Reducer**
SCT/C (45D) AC-3

Lefthand Reducer ▶
SCT/C (45D) AC-4

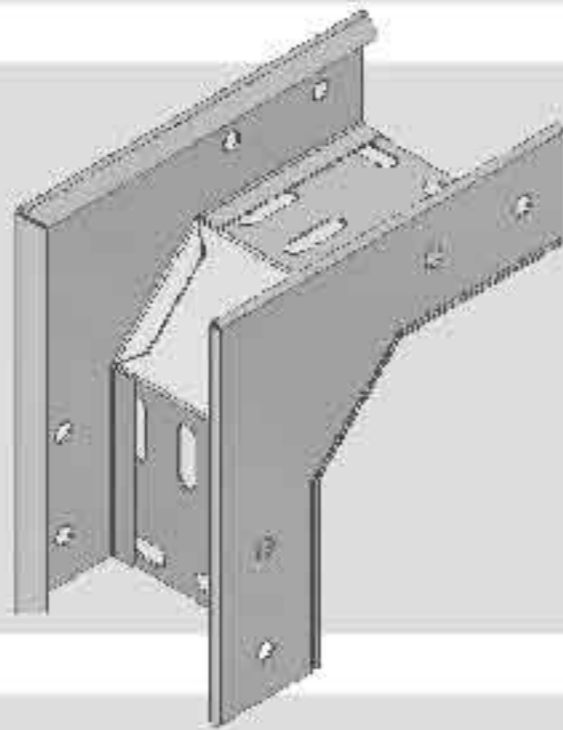
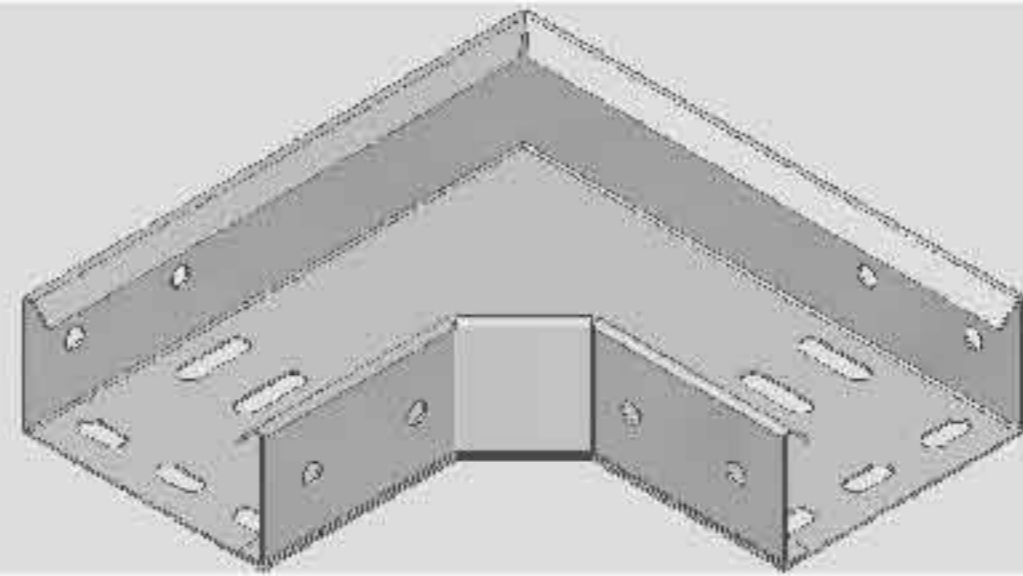


◀ **Straight Reducer**
SCT/C (45D) AC-5

**Other design and sizes are available upon request.

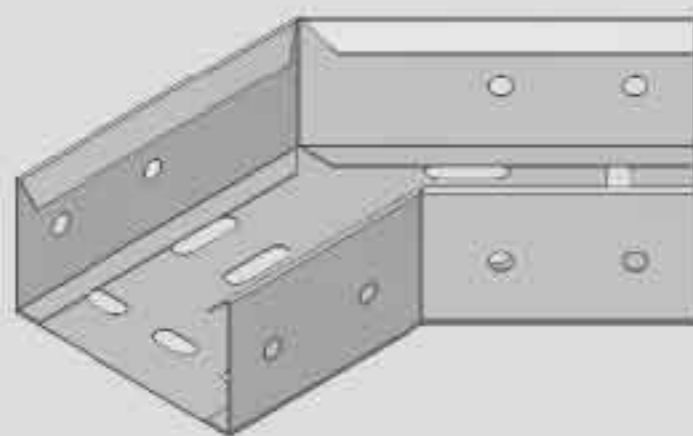
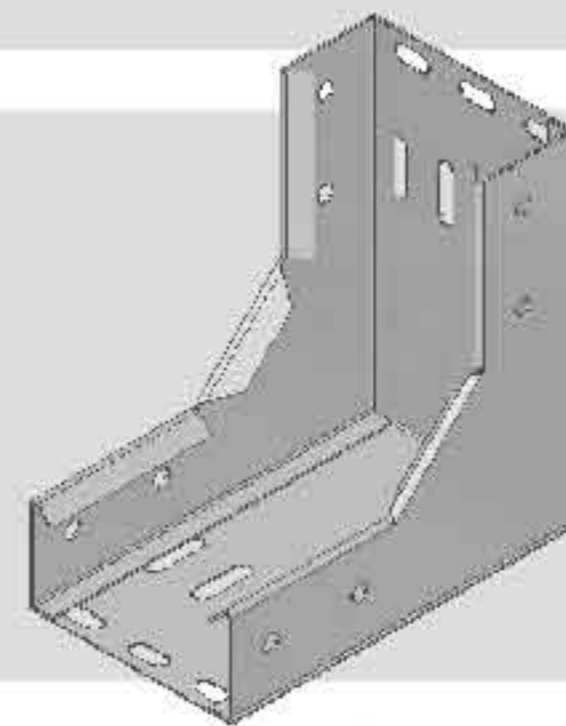
"Type C" (45D)

Flatwise Elbow ▶
SCT/C (45D) AC-6



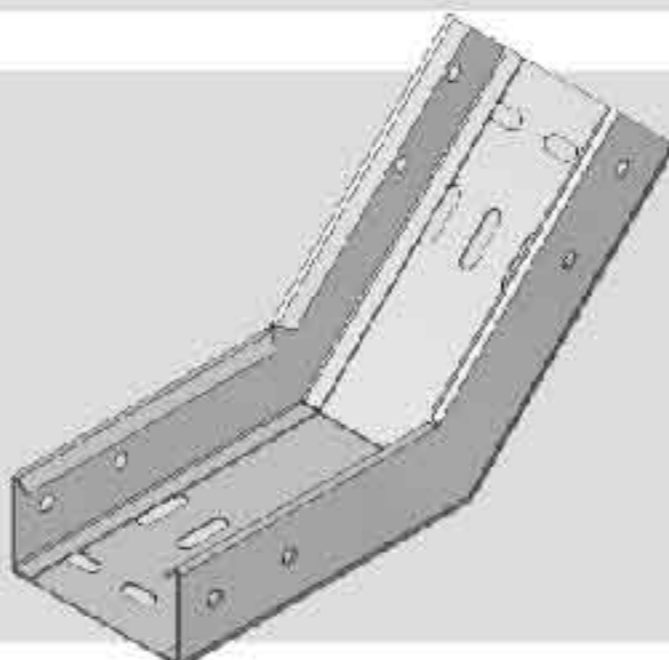
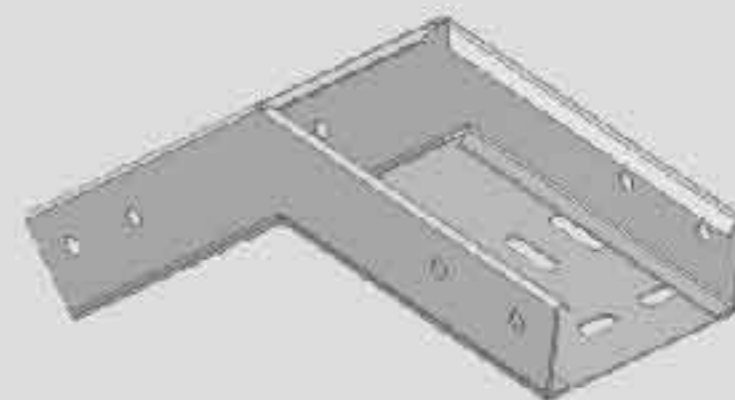
◀ Edgewise Elbow Left
SCT/C (45D) AC-7

Edgewise Elbow Right ▶
SCT/C (45D) AC-8



◀ Elbow Front
SCT/C (45D) AC-9

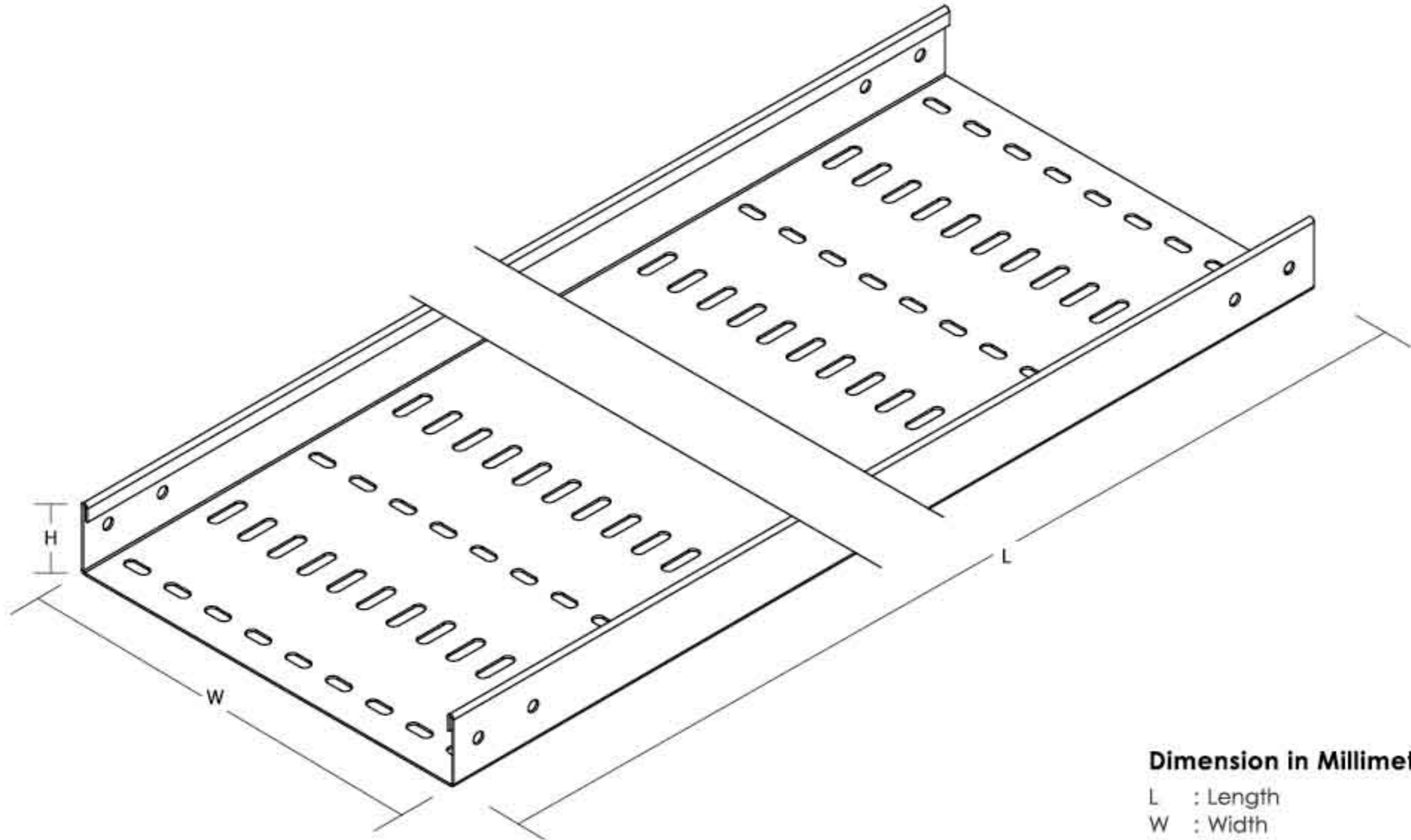
Elbow Top ▶
SCT/C (45D) AC-10



◀ Elbow Bottom
SCT/C (45D) AC-11

**Other design and sizes are available upon request.

"Type C" (45D) 



Dimension in Millimeter (mm)

L : Length

W : Width

H : Height

Perforated Cable Tray Straight "Type R"

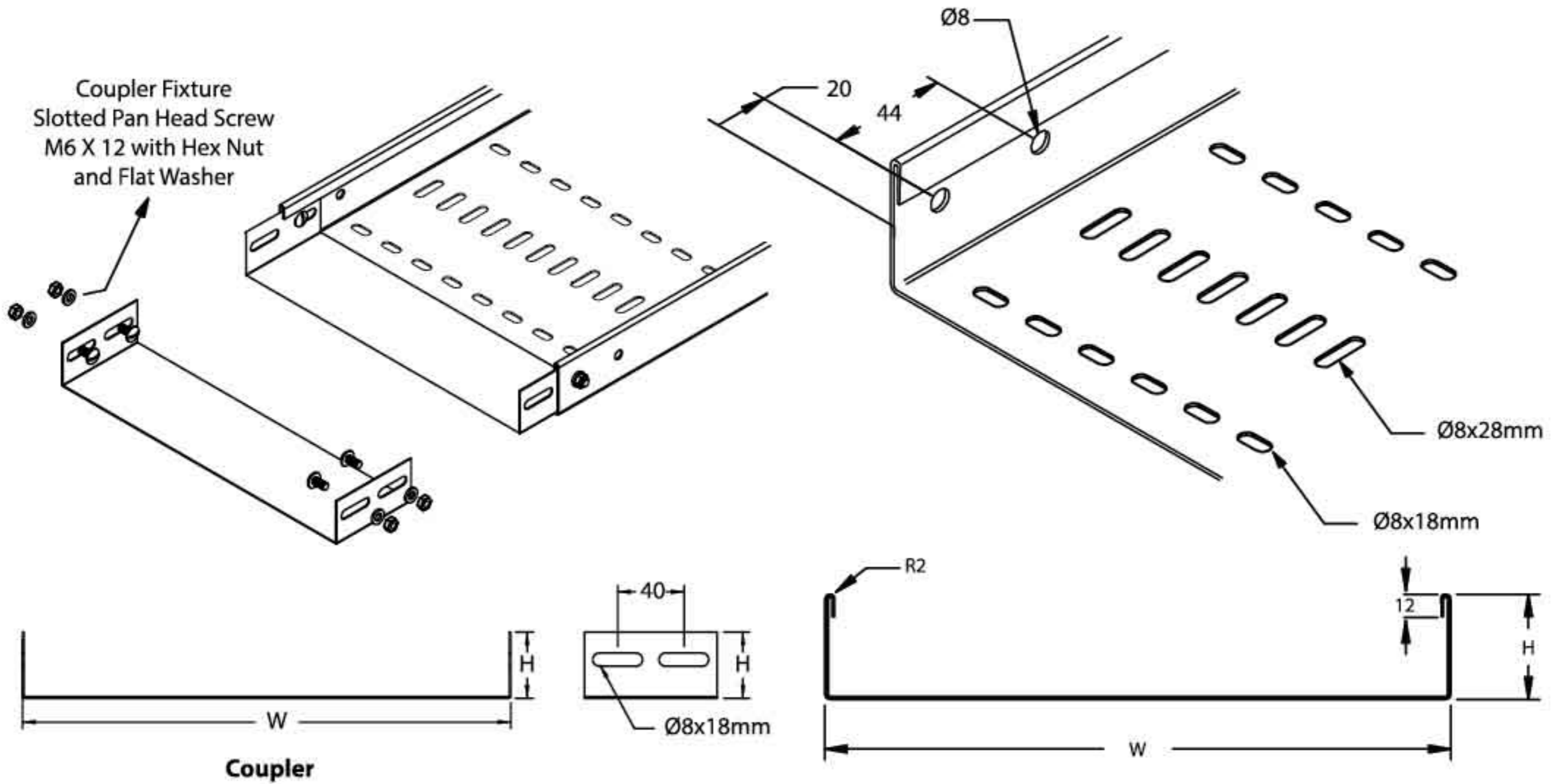
Model	Nominal Size (mm)		
	Body (LxWxH)	Coupler (H)	Thickness
SCT/R-(50X50)	2438 / 3000 x 50 x 50	30	1.5
SCT/R-(75X50)	2438 / 3000 x 75 x 50	30	1.5
SCT/R-(100X50)	2438 / 3000 x 100 x 50	30	1.5
SCT/R-(150X50)	2438 / 3000 x 150 x 50	30	1.5
SCT/R-(200X50)	2438 / 3000 x 200 x 50	30	1.5
SCT/R-(250X50)	2438 / 3000 x 250 x 50	30	1.5
SCT/R-(300X50)	2438 / 3000 x 300 x 50	30	1.5
SCT/R-(350X50)	2438 / 3000 x 350 x 50	30	2.0
SCT/R-(400X50)	2438 / 3000 x 400 x 50	30	2.0
SCT/R-(450X50)	2438 / 3000 x 450 x 50	30	2.0
SCT/R-(500X50)	2438 / 3000 x 500 x 50	30	2.0
SCT/R-(550X50)	2438 / 3000 x 550 x 50	30	2.0
SCT/R-(600X50)	2438 / 3000 x 600 x 50	30	2.0
SCT/R-(650X50)	2438 / 3000 x 650 x 50	30	2.0
SCT/R-(700X50)	2438 / 3000 x 700 x 50	30	2.0
SCT/R-(750X50)	2438 / 3000 x 750 x 50	30	2.0
SCT/R-(800X50)	2438 / 3000 x 800 x 50	30	2.0
SCT/R-(850X50)	2438 / 3000 x 850 x 50	30	2.0
SCT/R-(900X50)	2438 / 3000 x 900 x 50	30	2.0
SCT/R-(950X50)	2438 / 3000 x 950 x 50	30	2.0
SCT/R-(1000X50)	2438 / 3000 x 1000 x 50	30	2.0
SCT/R-(75X75)	2438 / 3000 x 75 x 75	55	1.5
SCT/R-(100X75)	2438 / 3000 x 100 x 75	55	1.5
SCT/R-(150X75)	2438 / 3000 x 150 x 75	55	1.5
SCT/R-(200X75)	2438 / 3000 x 200 x 75	55	1.5
SCT/R-(250X75)	2438 / 3000 x 250 x 75	55	1.5
SCT/R-(300X75)	2438 / 3000 x 300 x 75	55	1.5
SCT/R-(350X75)	2438 / 3000 x 350 x 75	55	2.0
SCT/R-(400X75)	2438 / 3000 x 400 x 75	55	2.0
SCT/R-(450X75)	2438 / 3000 x 450 x 75	55	2.0

**Specification subject to change without prior notice.
 ***Thickness Tolerance with + - 10%

*For order information, please refer page 17.

Perforated Cable Tray System

Perforated Cable Tray Straight "Type R"

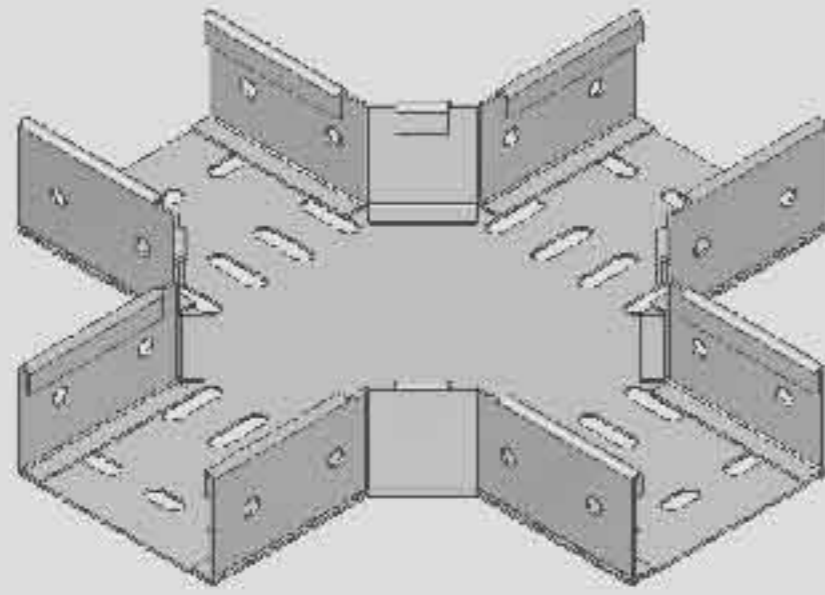


Perforated Cable Tray Straight "Type R"

Model	Nominal Size (mm)		
	Body (LxWxH)	Coupler (H)	Thickness
SCT/R-(500X75)	2438 / 3000 x 500 x 75	55	2.0
SCT/R-(550X75)	2438 / 3000 x 550 x 75	55	2.0
SCT/R-(600X75)	2438 / 3000 x 600 x 75	55	2.0
SCT/R-(650X75)	2438 / 3000 x 650 x 75	55	2.0
SCT/R-(700X75)	2438 / 3000 x 700 x 75	55	2.0
SCT/R-(750X75)	2438 / 3000 x 750 x 75	55	2.0
SCT/R-(800X75)	2438 / 3000 x 800 x 75	55	2.0
SCT/R-(850X75)	2438 / 3000 x 850 x 75	55	2.0
SCT/R-(900X75)	2438 / 3000 x 900 x 75	55	2.0
SCT/R-(950X75)	2438 / 3000 x 950 x 75	55	2.0
SCT/R-(1000X75)	2438 / 3000 x 1000 x 75	55	2.0
SCT/R-(100X100)	2438 / 3000 x 100 x 100	79	1.5
SCT/R-(150X100)	2438 / 3000 x 150 x 100	79	1.5
SCT/R-(200X100)	2438 / 3000 x 200 x 100	79	1.5
SCT/R-(250X100)	2438 / 3000 x 250 x 100	79	1.5
SCT/R-(300X100)	2438 / 3000 x 300 x 100	79	1.5
SCT/R-(350X100)	2438 / 3000 x 350 x 100	79	2.0
SCT/R-(400X100)	2438 / 3000 x 400 x 100	79	2.0
SCT/R-(450X100)	2438 / 3000 x 450 x 100	79	2.0
SCT/R-(500X100)	2438 / 3000 x 500 x 100	79	2.0
SCT/R-(550X100)	2438 / 3000 x 550 x 100	79	2.0
SCT/R-(600X100)	2438 / 3000 x 600 x 100	79	2.0
SCT/R-(650X100)	2438 / 3000 x 650 x 100	79	2.0
SCT/R-(700X100)	2438 / 3000 x 700 x 100	79	2.0
SCT/R-(750X100)	2438 / 3000 x 750 x 100	79	2.0
SCT/R-(800X100)	2438 / 3000 x 800 x 100	79	2.0
SCT/R-(850X100)	2438 / 3000 x 850 x 100	79	2.0
SCT/R-(900X100)	2438 / 3000 x 900 x 100	79	2.0
SCT/R-(950X100)	2438 / 3000 x 950 x 100	79	2.0
SCT/R-(1000X100)	2438 / 3000 x 1000 x 100	79	2.0

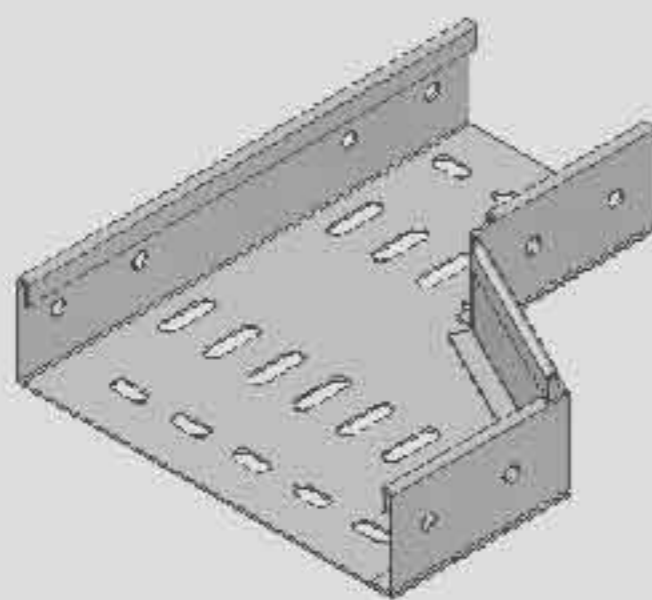
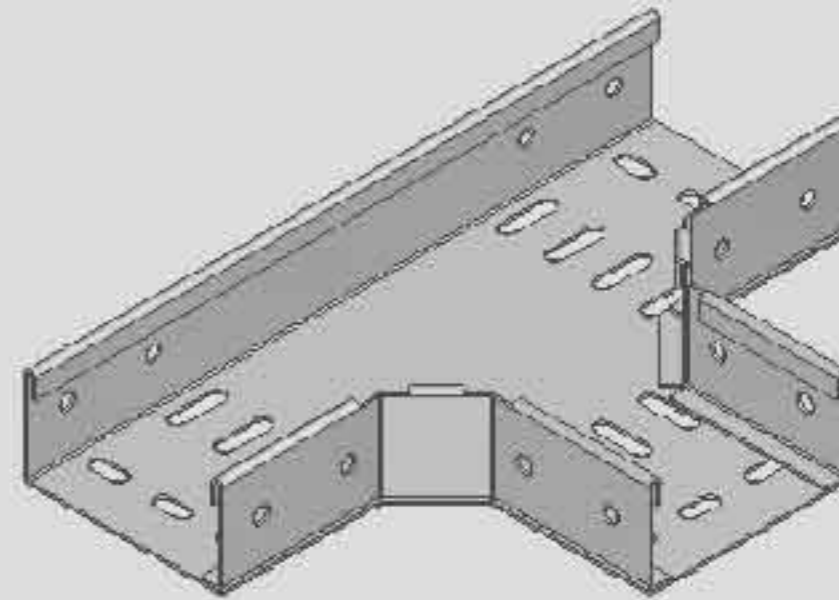
**Specification subject to change without prior notice.
 ***Thickness Tolerance with + - 10%

*For order information, please refer page 17.



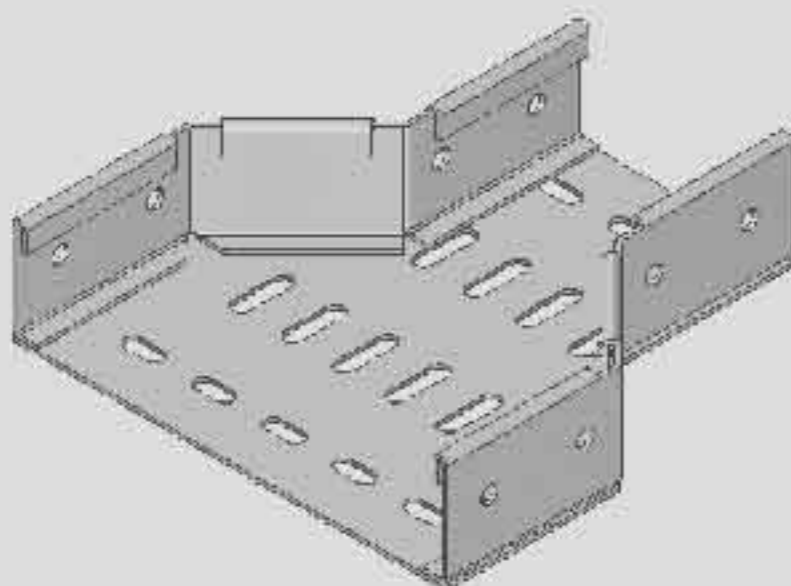
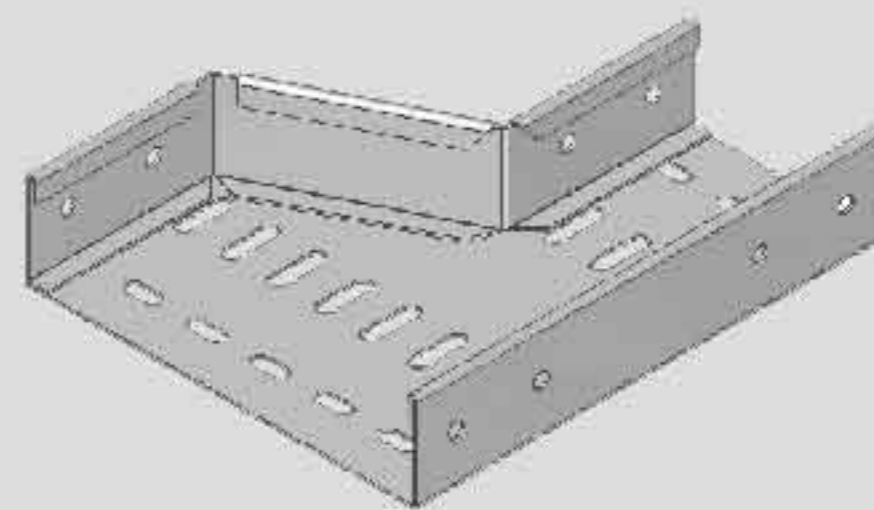
◀ **Flatwise Cross**
SCT/R AC-1

Flatwise Tee ▶
SCT/R AC-2



◀ **Righthand Reducer**
SCT/R AC-3

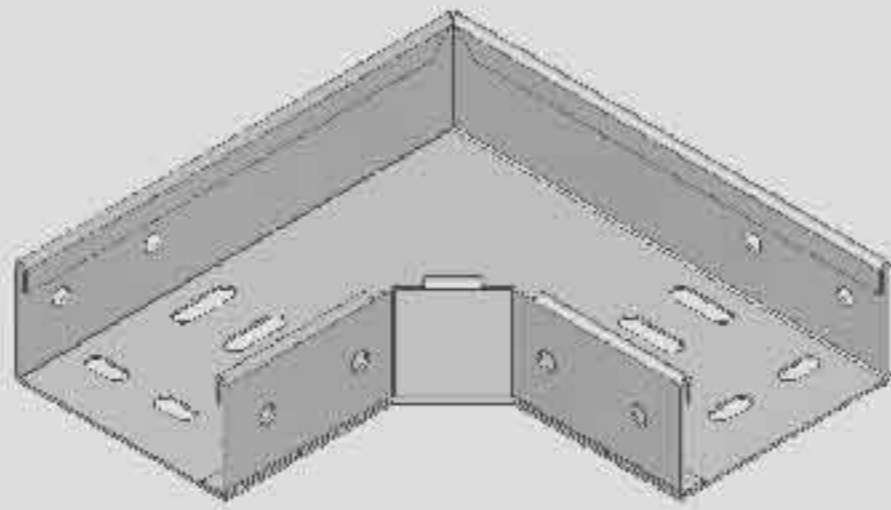
Lefthand Reducer ▶
SCT/R AC-4



◀ **Straight Reducer**
SCT/R AC-5

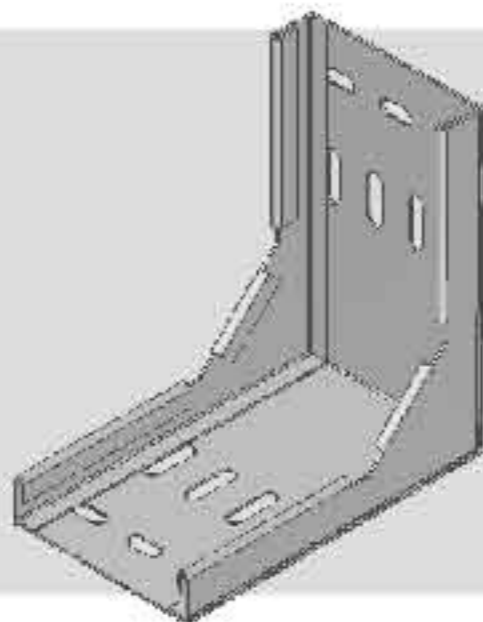
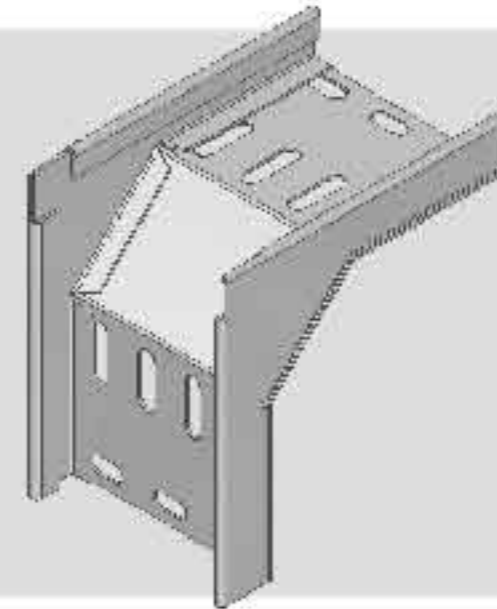
**Other design and sizes are available upon request.

"Type R" 



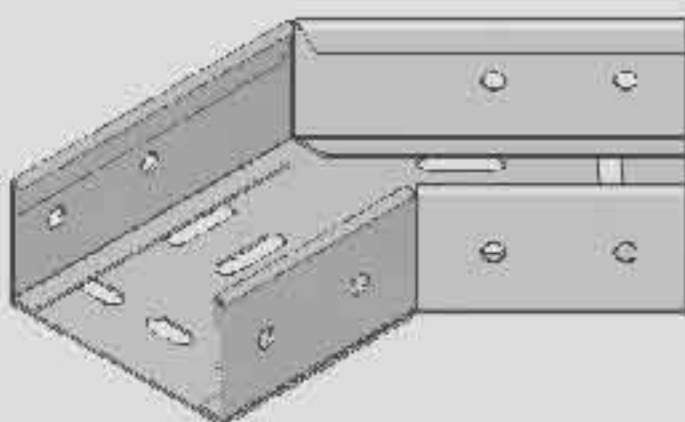
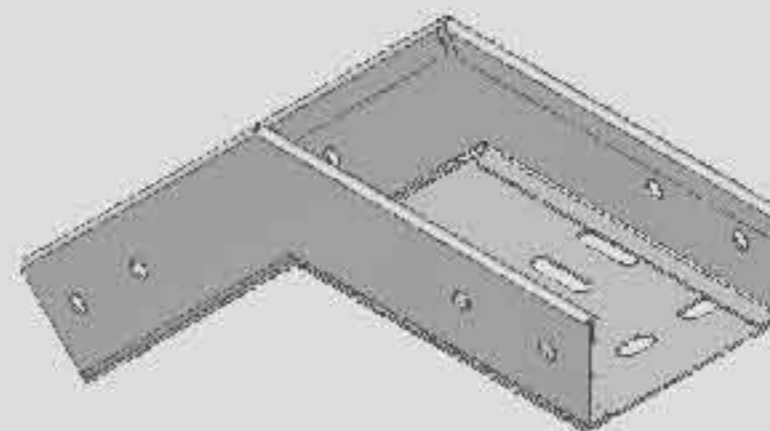
◀ **Flatwise Elbow**
SCT/R AC-6

Edgewise Elbow Left ▶
SCT/R AC-7



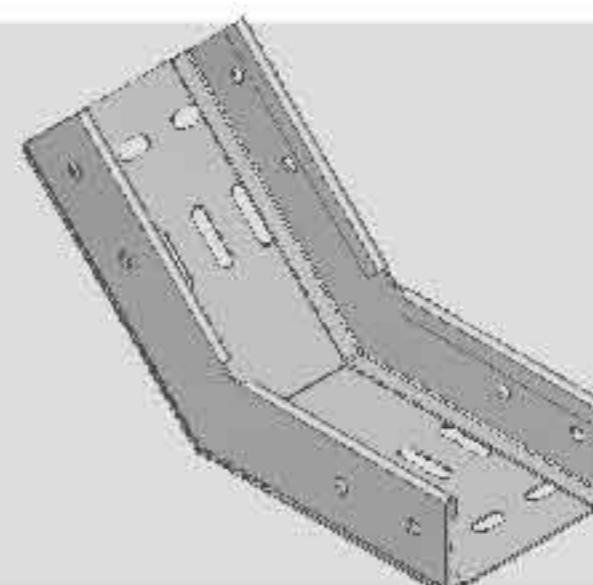
◀ **Edgewise Elbow Right**
SCT/R AC-8

Elbow Top ▶
SCT/R AC-9



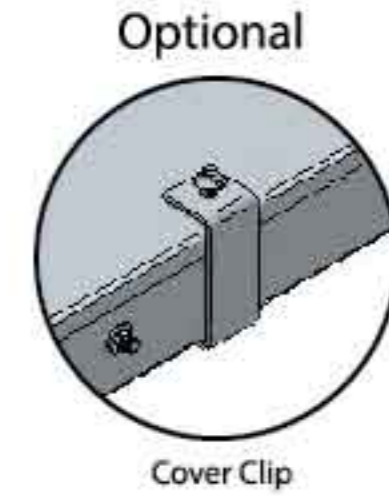
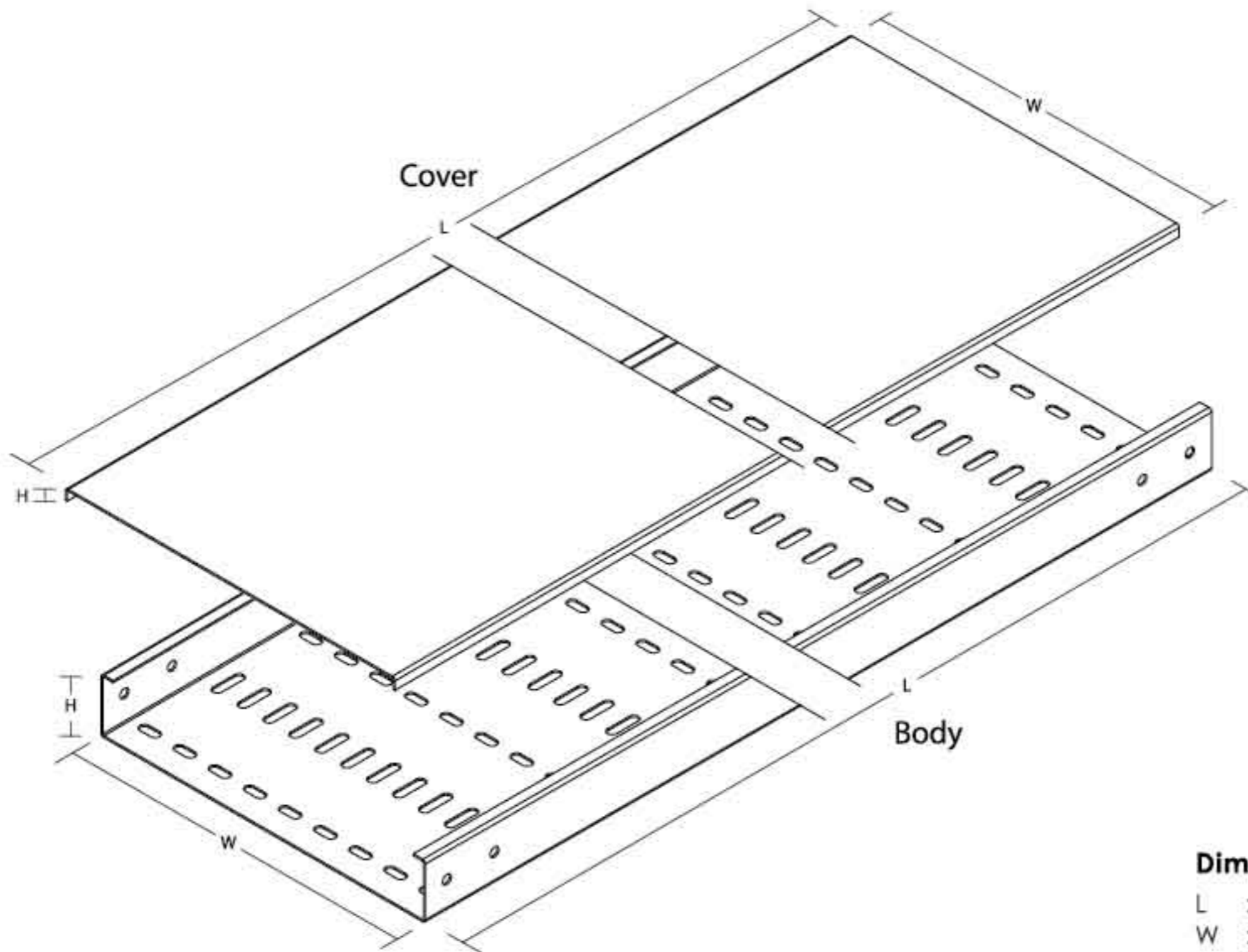
◀ **Elbow Front**
SCT/R AC-10

Elbow Bottom ▶
SCT/R AC-11



**Other design and sizes are available upon request.

"Type R"



Dimension in Millimeter (mm)

L : Length
W : Width
H : Height

Perforated Cable Tray Straight "Type T"

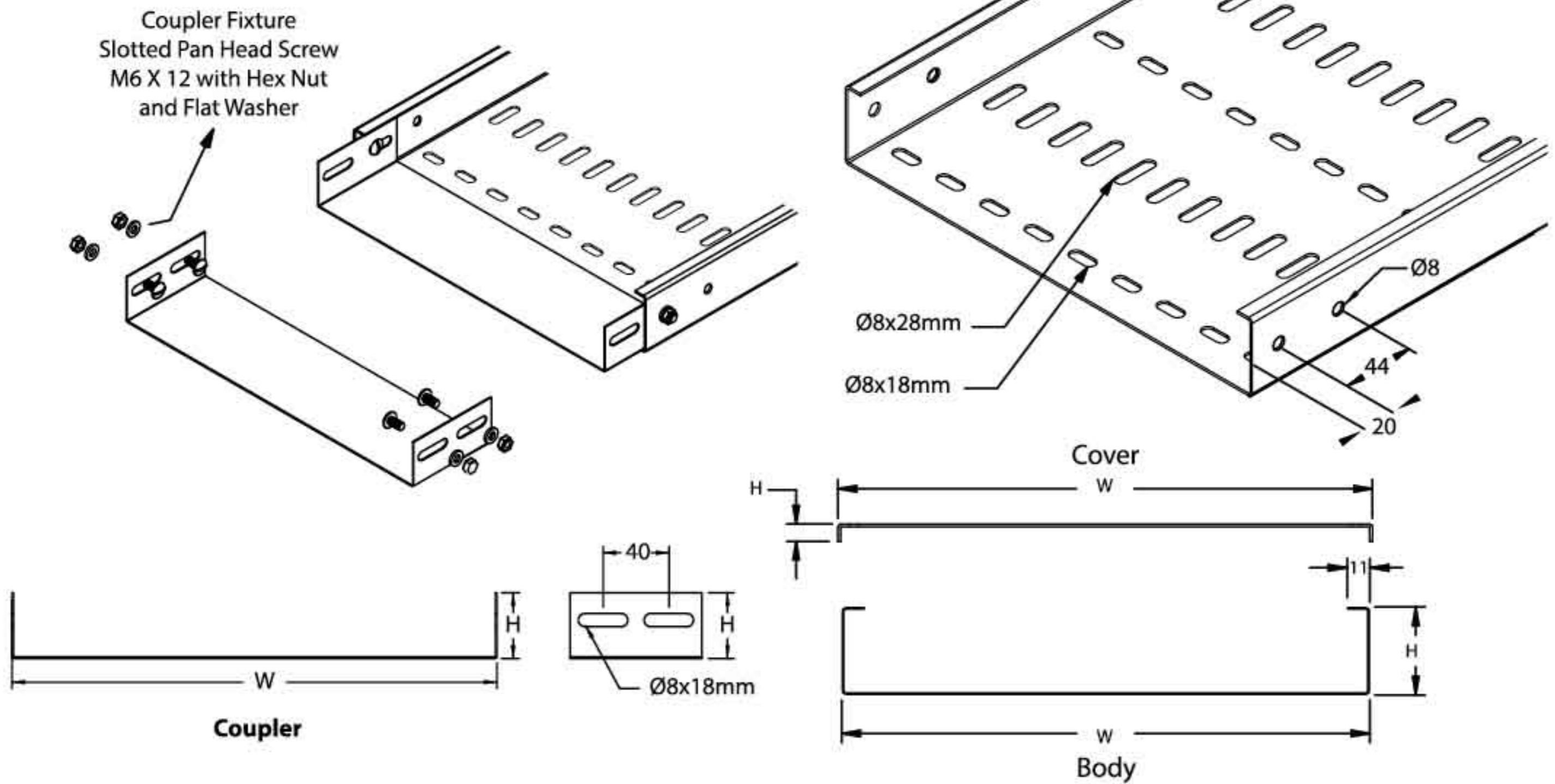
Model	Nominal Size (mm)			
	Body (LxWxH)	Cover (WxH)	Coupler (H)	Thickness
SCT/T-(50X50)	2438 / 3000 x 50 x 50	55 x 11	30	1.5
SCT/T-(75X50)	2438 / 3000 x 75 x 50	80 x 11	30	1.5
SCT/T-(100X50)	2438 / 3000 x 100 x 50	105 x 11	30	1.5
SCT/T-(150X50)	2438 / 3000 x 150 x 50	155 x 11	30	1.5
SCT/T-(200X50)	2438 / 3000 x 200 x 50	205 x 11	30	1.5
SCT/T-(250X50)	2438 / 3000 x 250 x 50	255 x 11	30	1.5
SCT/T-(300X50)	2438 / 3000 x 300 x 50	305 x 11	30	1.5
SCT/T-(350X50)	2438 / 3000 x 350 x 50	356 x 11	30	2.0
SCT/T-(400X50)	2438 / 3000 x 400 x 50	406 x 11	30	2.0
SCT/T-(450X50)	2438 / 3000 x 450 x 50	456 x 11	30	2.0
SCT/T-(500X50)	2438 / 3000 x 500 x 50	506 x 11	30	2.0
SCT/T-(550X50)	2438 / 3000 x 550 x 50	556 x 11	30	2.0
SCT/T-(600X50)	2438 / 3000 x 600 x 50	606 x 11	30	2.0
SCT/T-(650X50)	2438 / 3000 x 650 x 50	656 x 11	30	2.0
SCT/T-(700X50)	2438 / 3000 x 700 x 50	706 x 11	30	2.0
SCT/T-(750X50)	2438 / 3000 x 750 x 50	756 x 11	30	2.0
SCT/T-(800X50)	2438 / 3000 x 800 x 50	806 x 11	30	2.0
SCT/T-(850X50)	2438 / 3000 x 850 x 50	856 x 11	30	2.0
SCT/T-(900X50)	2438 / 3000 x 900 x 50	906 x 11	30	2.0
SCT/T-(950X50)	2438 / 3000 x 950 x 50	956 x 11	30	2.0
SCT/T-(1000X50)	2438 / 3000 x 1000 x 50	1006 x 11	30	2.0
SCT/T-(75X75)	2438 / 3000 x 75 x 75	80 x 11	55	1.5
SCT/T-(100X75)	2438 / 3000 x 100 x 75	105 x 11	55	1.5
SCT/T-(150X75)	2438 / 3000 x 150 x 75	155 x 11	55	1.5
SCT/T-(200X75)	2438 / 3000 x 200 x 75	205 x 11	55	1.5
SCT/T-(250X75)	2438 / 3000 x 250 x 75	255 x 11	55	1.5
SCT/T-(300X75)	2438 / 3000 x 300 x 75	305 x 11	55	1.5
SCT/T-(350X75)	2438 / 3000 x 350 x 75	356 x 11	55	2.0
SCT/T-(400X75)	2438 / 3000 x 400 x 75	406 x 11	55	2.0
SCT/T-(450X75)	2438 / 3000 x 450 x 75	456 x 11	55	2.0

**Specification subject to change without prior notice.
***Thickness Tolerance with + - 10%

*For order information, please refer page 17.

Perforated Cable Tray System

Cable Tray Straight "Type T"

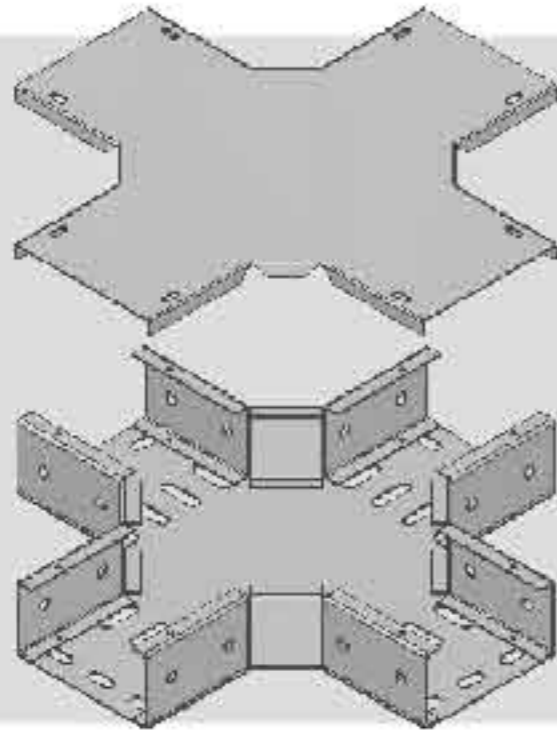


Perforated Cable Tray Straight "Type T"

Model	Nominal Size (mm)			
	Body (LxWxH)	Cover (WxH)	Coupler (H)	Thickness
SCT/T-(500X75)	2438 / 3000 x 500 x 75	506 x 11	55	2.0
SCT/T-(550X75)	2438 / 3000 x 550 x 75	556 x 11	55	2.0
SCT/T-(600X75)	2438 / 3000 x 600 x 75	606 x 11	55	2.0
SCT/T-(650X75)	2438 / 3000 x 650 x 75	656 x 11	55	2.0
SCT/T-(700X75)	2438 / 3000 x 700 x 75	706 x 11	55	2.0
SCT/T-(750X75)	2438 / 3000 x 750 x 75	756 x 11	55	2.0
SCT/T-(800X75)	2438 / 3000 x 800 x 75	806 x 11	55	2.0
SCT/T-(850X75)	2438 / 3000 x 850 x 75	856 x 11	55	2.0
SCT/T-(900X75)	2438 / 3000 x 900 x 75	906 x 11	55	2.0
SCT/T-(950X75)	2438 / 3000 x 950 x 75	956 x 11	55	2.0
SCT/T-(1000X75)	2438 / 3000 x 1000 x 75	1006 x 11	55	2.0
SCT/T-(100X100)	2438 / 3000 x 100 x 100	105 x 11	79	1.5
SCT/T-(150X100)	2438 / 3000 x 150 x 100	155 x 11	79	1.5
SCT/T-(200X100)	2438 / 3000 x 200 x 100	205 x 11	79	1.5
SCT/T-(250X100)	2438 / 3000 x 250 x 100	255 x 11	79	1.5
SCT/T-(300X100)	2438 / 3000 x 300 x 100	305 x 11	79	1.5
SCT/T-(350X100)	2438 / 3000 x 350 x 100	356 x 11	79	2.0
SCT/T-(400X100)	2438 / 3000 x 400 x 100	406 x 11	79	2.0
SCT/T-(450X100)	2438 / 3000 x 450 x 100	456 x 11	79	2.0
SCT/T-(500X100)	2438 / 3000 x 500 x 100	506 x 11	79	2.0
SCT/T-(550X100)	2438 / 3000 x 550 x 100	556 x 11	79	2.0
SCT/T-(600X100)	2438 / 3000 x 600 x 100	606 x 11	79	2.0
SCT/T-(650X100)	2438 / 3000 x 650 x 100	656 x 11	79	2.0
SCT/T-(700X100)	2438 / 3000 x 700 x 100	706 x 11	79	2.0
SCT/T-(750X100)	2438 / 3000 x 750 x 100	756 x 11	79	2.0
SCT/T-(800X100)	2438 / 3000 x 800 x 100	806 x 11	79	2.0
SCT/T-(850X100)	2438 / 3000 x 850 x 100	856 x 11	79	2.0
SCT/T-(900X100)	2438 / 3000 x 900 x 100	906 x 11	79	2.0
SCT/T-(950X100)	2438 / 3000 x 950 x 100	956 x 11	79	2.0
SCT/T-(1000X100)	2438 / 3000 x 1000 x 100	1006 x 11	79	2.0

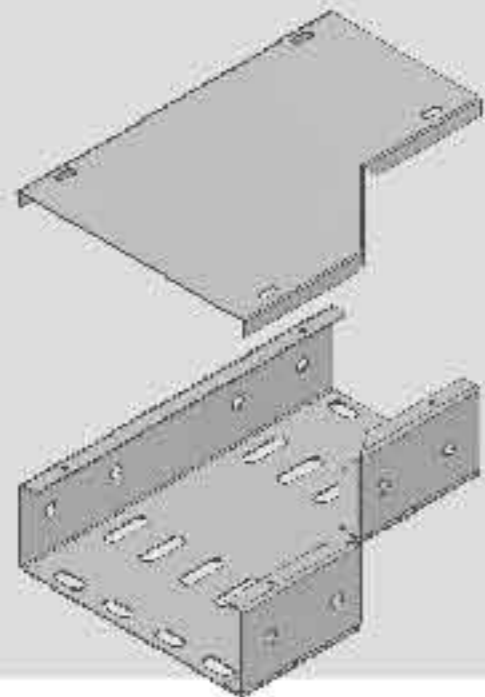
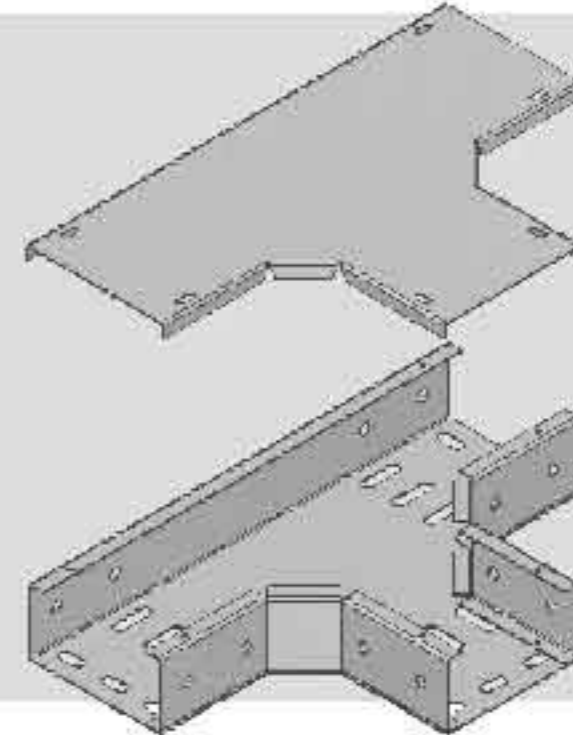
**Specification subject to change without prior notice.
 ***Thickness Tolerance with + - 10%

*For order information, please refer page 17.



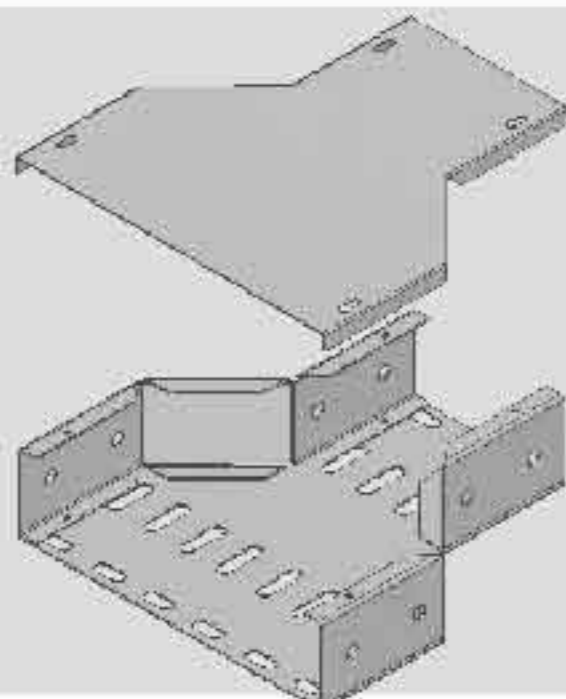
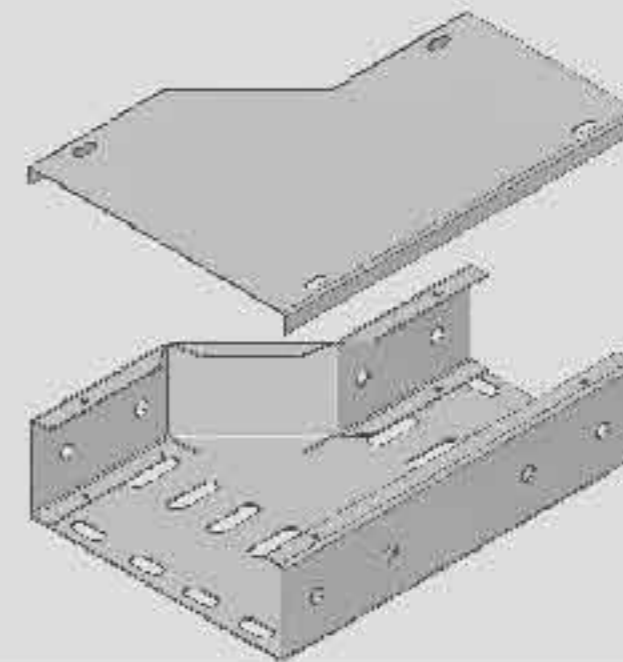
◀ **Flatwise Cross**
SCT/T (90D) AC-1

Flatwise Tee ▶
SCT/T (90D) AC-2



◀ **Righthand Reducer**
SCT/T (90D) AC-3

Lefthand Reducer ▶
SCT/T (90D) AC-4



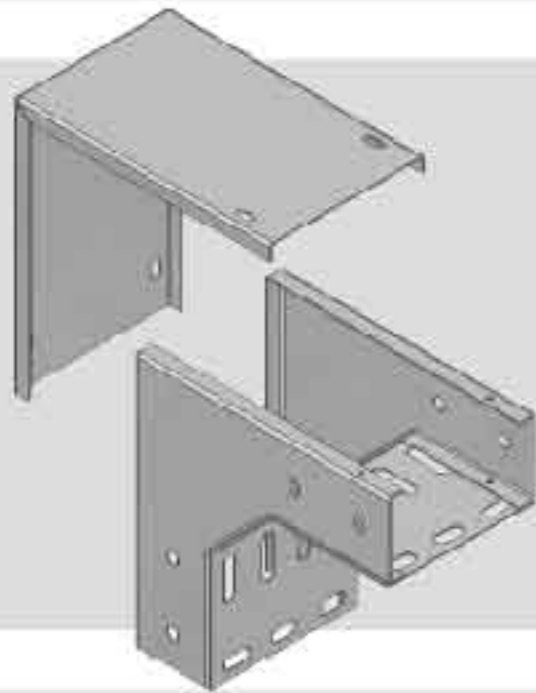
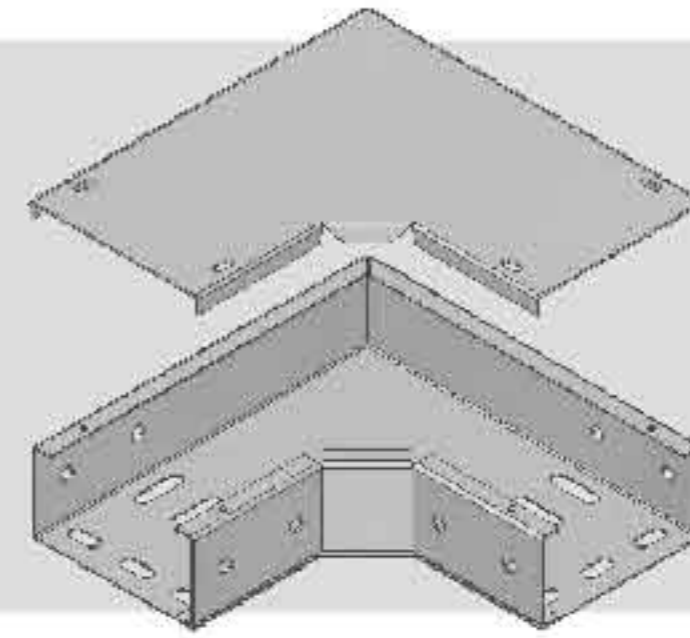
◀ **Straight Reducer**
SCT/T (90D) AC-5

**Other design and sizes are available upon request.

"Type T"

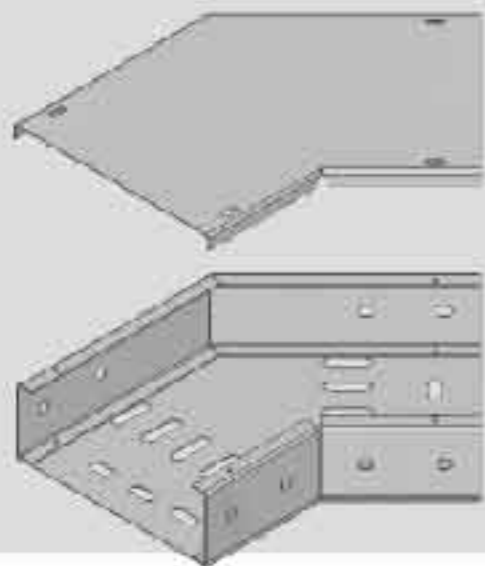
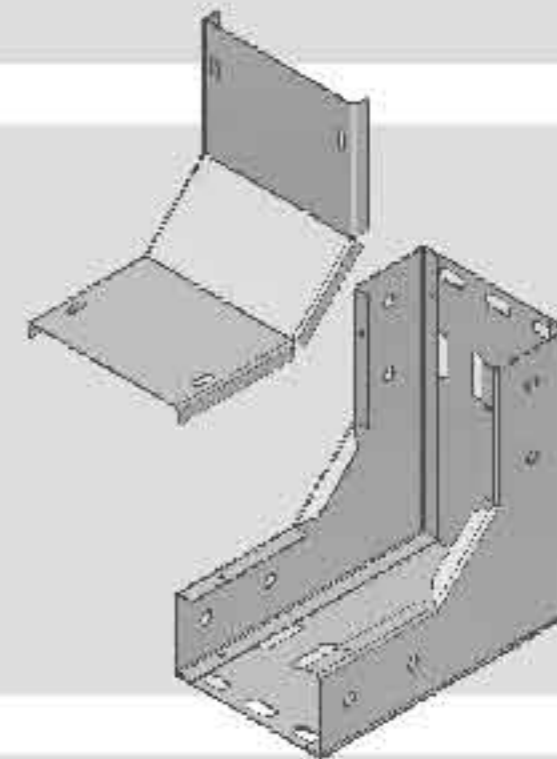


Flatwise Elbow ▶
SCT/T (90D) AC-6



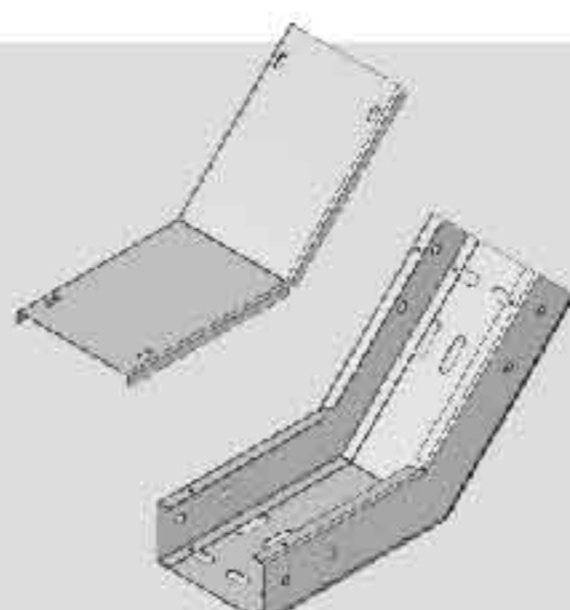
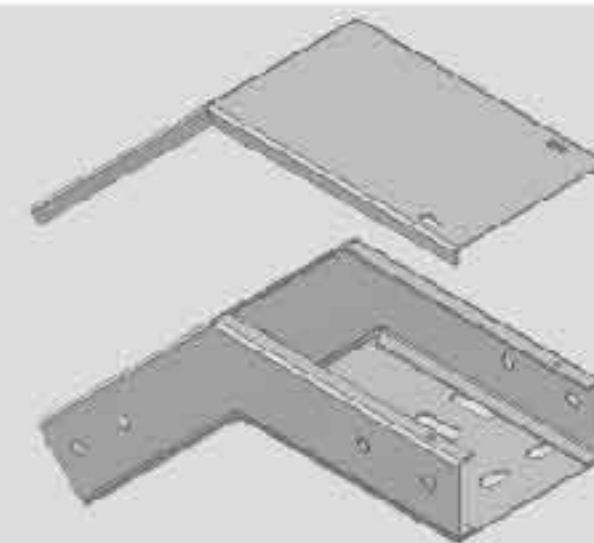
◀ Edgewise Elbow Left
SCT/T (90D) AC-7

Edgewise Elbow Right ▶
SCT/T (90D) AC-8



◀ Elbow Front
SCT/T (90D) AC-9

Elbow Top ▶
SCT/T (90D) AC-10



◀ Elbow Bottom
SCT/T (90D) AC-11

**Other design and sizes are available upon request.

"Type T"