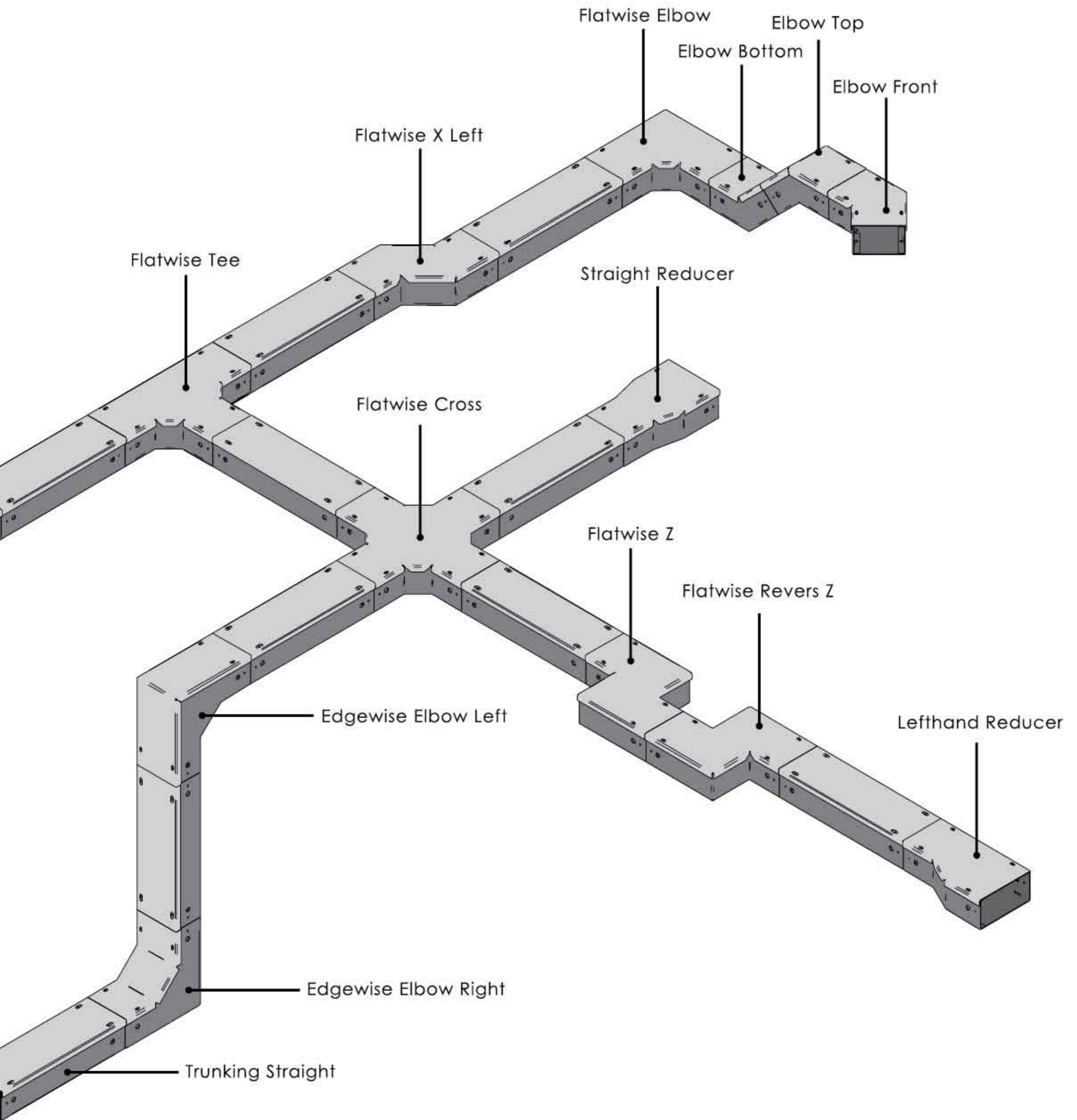
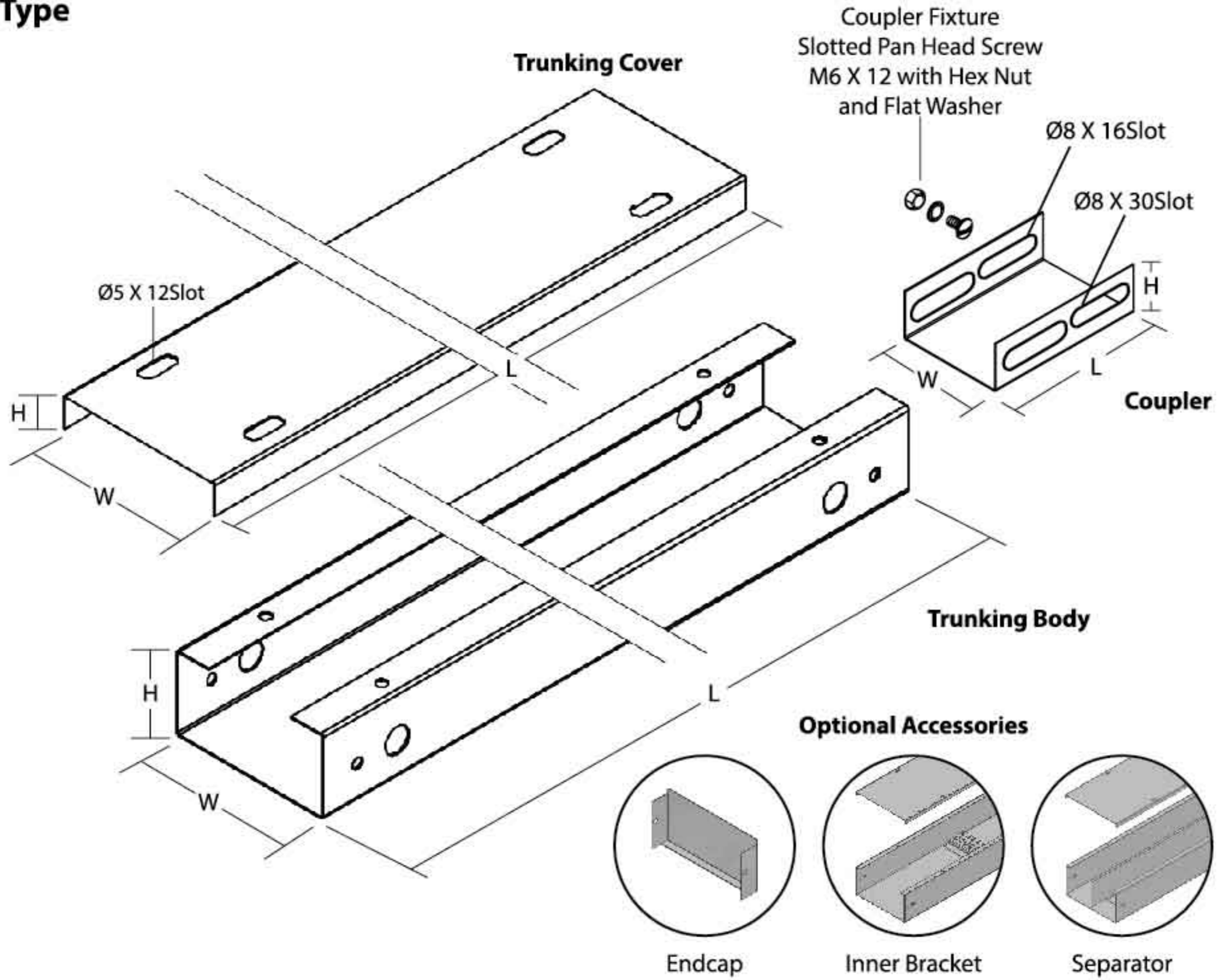


Cable Trunking System

Cable trunking is an enclosure usually with a rectangular cross section, and with one removable or hinged side, that is used to protect cables and provide space for other electrical equipment. They make electrical ducting and cable trunking for concealing and securing cabling. Cable trunking are manufactured according to MS IEC 61084-1 standard.



Screw Fix Type



Screw Fix Type

Model	Size (mm)		Thickness (mm)		Size (mm)	
	Cover (LxWxH)	Body (LxWxH)	Cover	Body	Coupler (LxWxH)	Thickness
STK 1/2	2438 / 3000 x 54 x 10	2438 / 3000 x 50 x 25	1.0	1.0	80 x 46 x 21	1.0
STK 2/2	2438 / 3000 x 54 x 10	2438 / 3000 x 50 x 50	1.0	1.0	80 x 46 x 40	1.0
STK 2/3	2438 / 3000 x 79 x 10	2438 / 3000 x 75 x 50	1.2	1.2	80 x 70 x 40	1.2
STK 2/4	2438 / 3000 x 104 x 10	2438 / 3000 x 100 x 50	1.2	1.2	80 x 96 x 40	1.2
STK 2/6	2438 / 3000 x 155 x 10	2438 / 3000 x 150 x 50	1.4	1.6	80 x 144 x 40	1.6
STK 2/8	2438 / 3000 x 205 x 10	2438 / 3000 x 200 x 50	1.4	1.6	80 x 194 x 40	1.6
STK 2/10	2438 / 3000 x 255 x 10	2438 / 3000 x 250 x 50	1.4	1.6	80 x 244 x 40	1.6
STK 2/12	2438 / 3000 x 305 x 10	2438 / 3000 x 300 x 50	1.4	1.6	80 x 294 x 40	1.6
STK 2/14	2438 / 3000 x 355 x 10	2438 / 3000 x 350 x 50	1.4	1.6	80 x 344 x 40	1.6
STK 3/3	2438 / 3000 x 79 x 10	2438 / 3000 x 75 x 75	1.2	1.2	80 x 72 x 65	1.2
STK 3/4	2438 / 3000 x 104 x 10	2438 / 3000 x 100 x 75	1.2	1.2	80 x 96 x 65	1.2
STK 3/6	2438 / 3000 x 155 x 10	2438 / 3000 x 150 x 75	1.4	1.6	80 x 144 x 65	1.6
STK 3/8	2438 / 3000 x 205 x 10	2438 / 3000 x 200 x 75	1.4	1.6	80 x 194 x 65	1.6
STK 3/10	2438 / 3000 x 255 x 10	2438 / 3000 x 250 x 75	1.4	1.6	80 x 244 x 65	1.6
STK 3/12	2438 / 3000 x 305 x 10	2438 / 3000 x 300 x 75	1.4	1.6	80 x 294 x 65	1.6
STK 4/4	2438 / 3000 x 104 x 10	2438 / 3000 x 100 x 100	1.2	1.2	80 x 90 x 90	1.6
STK 4/6	2438 / 3000 x 155 x 10	2438 / 3000 x 150 x 100	1.4	1.6	80 x 144 x 90	1.6
STK 4/8	2438 / 3000 x 205 x 10	2438 / 3000 x 200 x 100	1.4	1.6	80 x 194 x 90	1.6
STK 4/10	2438 / 3000 x 255 x 10	2438 / 3000 x 250 x 100	1.4	1.6	80 x 244 x 90	1.6
STK 4/12	2438 / 3000 x 305 x 10	2438 / 3000 x 300 x 100	1.4	1.6	80 x 294 x 90	1.6
STK 6/6	2438 / 3000 x 155 x 10	2438 / 3000 x 150 x 150	1.4	1.6	80 x 144 x 120	1.6
STK 6/8	2438 / 3000 x 205 x 10	2438 / 3000 x 200 x 150	1.4	1.6	80 x 194 x 120	1.6

**Specification subject to change without prior notice.

*For order information, please refer page 17

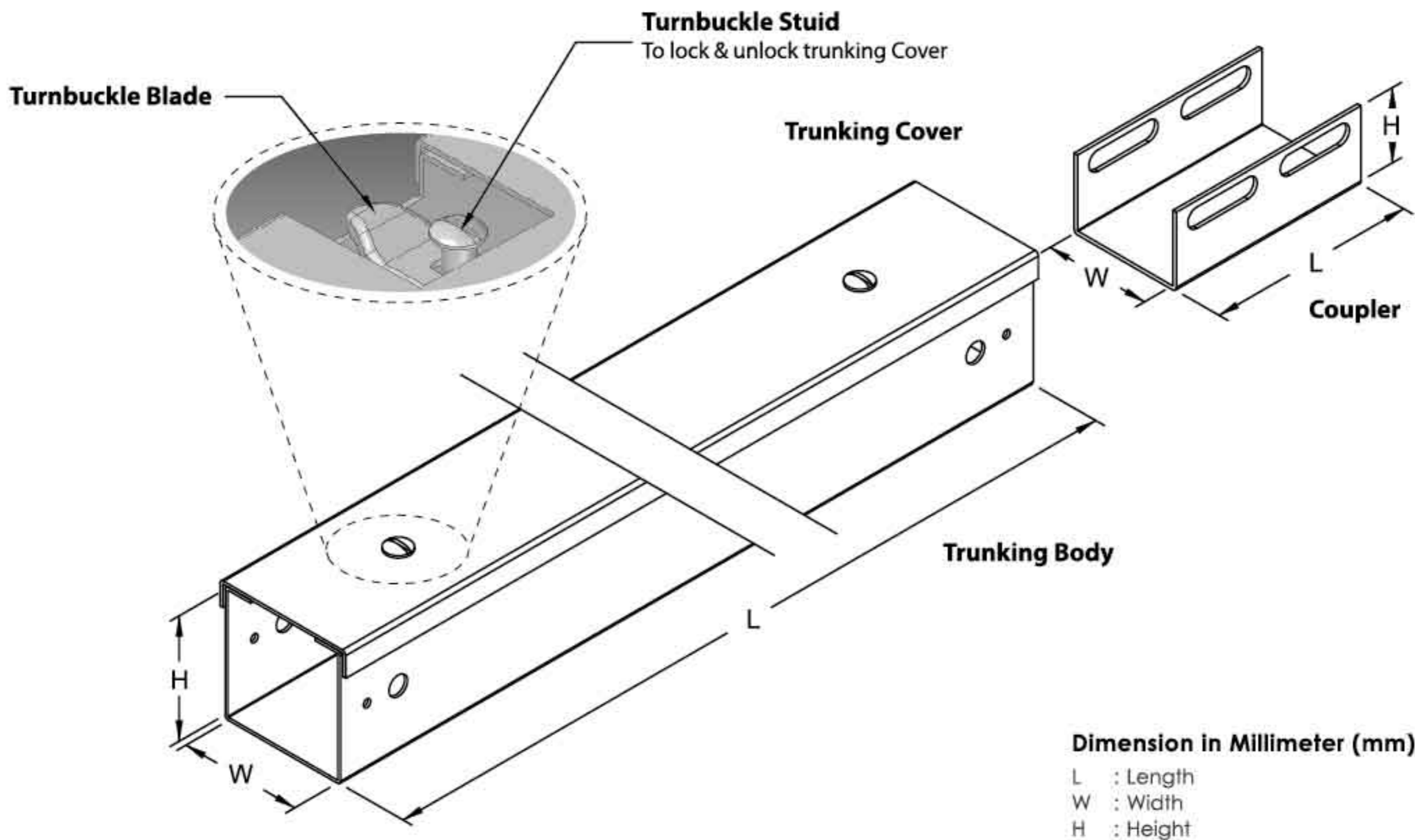
***Thickness Tolerance with + - 10%

Cable Trunking System

Cable Trunking Straight



Turnbuckle Type



Dimension in Millimeter (mm)

L : Length
W : Width
H : Height

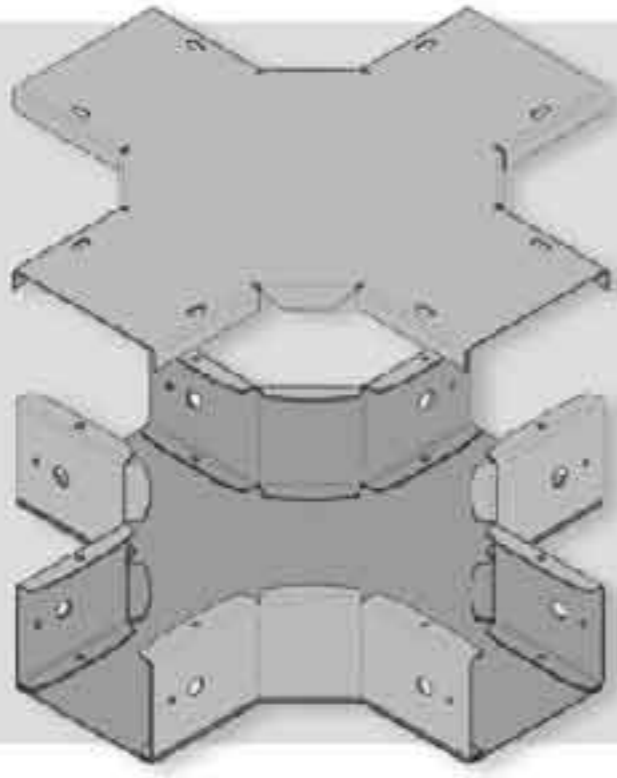
Turnbuckle Type

Model	Size (mm)		Thickness (mm)		Size (mm)	
	Cover (LxWxH)	Body (LxWxH)	Cover	Body	Coupler (LxWxH)	Thickness
STK 1/2-TB	2438 / 3000 x 54 x 10	2438 / 3000 x 50 x 25	1.0	1.0	80 x 46 x 21	1.0
STK 2/2-TB	2438 / 3000 x 54 x 10	2438 / 3000 x 50 x 50	1.0	1.0	80 x 46 x 40	1.0
STK 2/3-TB	2438 / 3000 x 79 x 10	2438 / 3000 x 75 x 50	1.2	1.2	80 x 72 x 40	1.2
STK 2/4-TB	2438 / 3000 x 104 x 10	2438 / 3000 x 100 x 50	1.2	1.2	80 x 96 x 40	1.2
STK 2/6-TB	2438 / 3000 x 155 x 10	2438 / 3000 x 150 x 50	1.4	1.6	80 x 144 x 40	1.6
STK 2/8-TB	2438 / 3000 x 205 x 10	2438 / 3000 x 200 x 50	1.4	1.6	80 x 194 x 40	1.6
STK 2/10-TB	2438 / 3000 x 255 x 10	2438 / 3000 x 250 x 50	1.4	1.6	80 x 244 x 40	1.6
STK 2/12-TB	2438 / 3000 x 305 x 10	2438 / 3000 x 300 x 50	1.4	1.6	80 x 294 x 40	1.6
STK 2/14-TB	2438 / 3000 x 355 x 10	2438 / 3000 x 350 x 50	1.4	1.6	80 x 344 x 40	1.6
STK 3/3-TB	2438 / 3000 x 79 x 10	2438 / 3000 x 75 x 75	1.2	1.2	80 x 72 x 65	1.2
STK 3/4-TB	2438 / 3000 x 104 x 10	2438 / 3000 x 100 x 75	1.2	1.2	80 x 96 x 65	1.2
STK 3/6-TB	2438 / 3000 x 155 x 10	2438 / 3000 x 150 x 75	1.4	1.6	80 x 144 x 65	1.6
STK 3/8-TB	2438 / 3000 x 205 x 10	2438 / 3000 x 200 x 75	1.4	1.6	80 x 194 x 65	1.6
STK 3/10-TB	2438 / 3000 x 255 x 10	2438 / 3000 x 250 x 75	1.4	1.6	80 x 244 x 65	1.6
STK 3/12-TB	2438 / 3000 x 305 x 10	2438 / 3000 x 300 x 75	1.4	1.6	80 x 294 x 90	1.6
STK 4/4-TB	2438 / 3000 x 104 x 10	2438 / 3000 x 100 x 100	1.2	1.2	80 x 96 x 90	1.6
STK 4/6-TB	2438 / 3000 x 155 x 10	2438 / 3000 x 150 x 100	1.4	1.6	80 x 144 x 90	1.6
STK 4/8-TB	2438 / 3000 x 205 x 10	2438 / 3000 x 200 x 100	1.4	1.6	80 x 194 x 90	1.6
STK 4/10-TB	2438 / 3000 x 255 x 10	2438 / 3000 x 250 x 100	1.4	1.6	80 x 244 x 90	1.6
STK 4/12-TB	2438 / 3000 x 305 x 10	2438 / 3000 x 300 x 100	1.4	1.6	80 x 294 x 90	1.6
STK 6/6-TB	2438 / 3000 x 155 x 10	2438 / 3000 x 150 x 150	1.4	1.6	80 x 144 x 120	1.6
STK 6/8-TB	2438 / 3000 x 205 x 10	2438 / 3000 x 200 x 150	1.4	1.6	80 x 194 x 120	1.6

**Specification subject to change without prior notice.

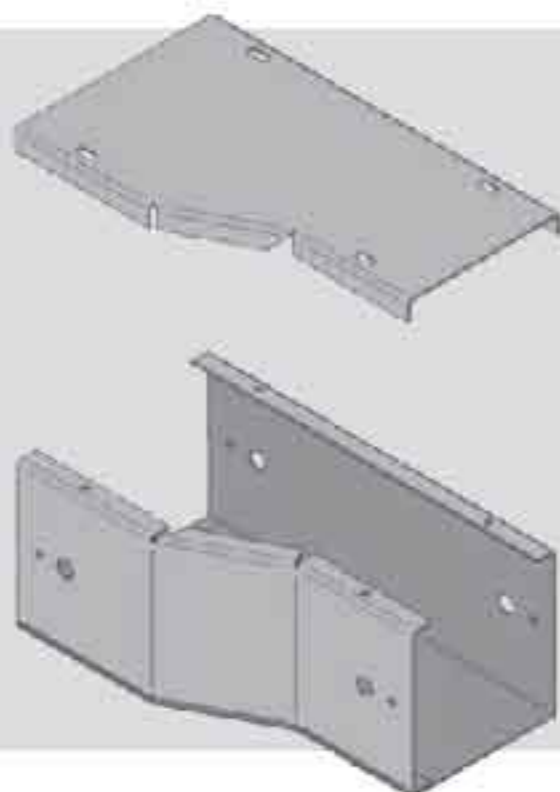
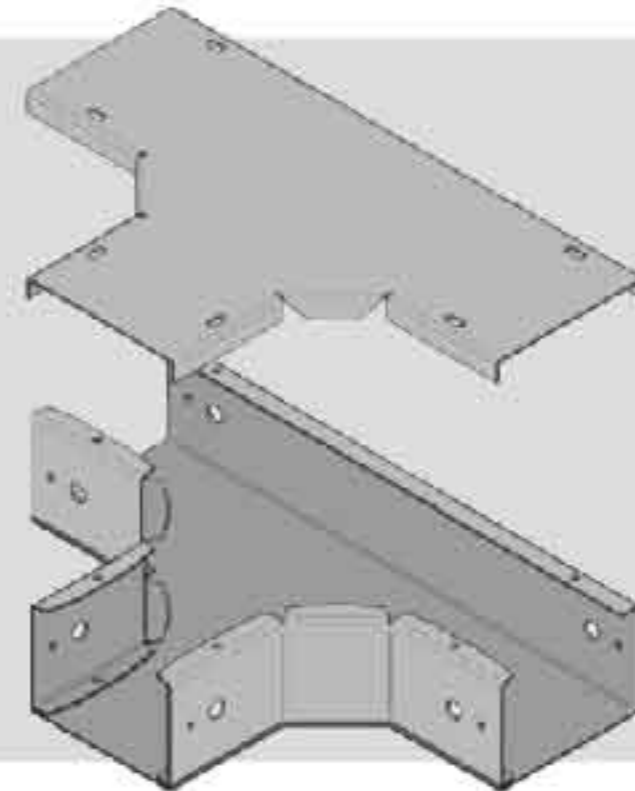
*For order information, please refer page 17.

***Thickness Tolerance with + - 10%



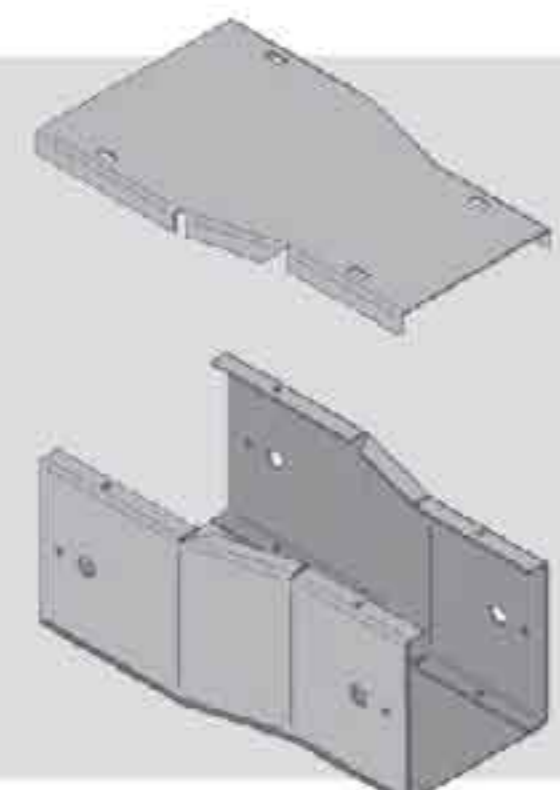
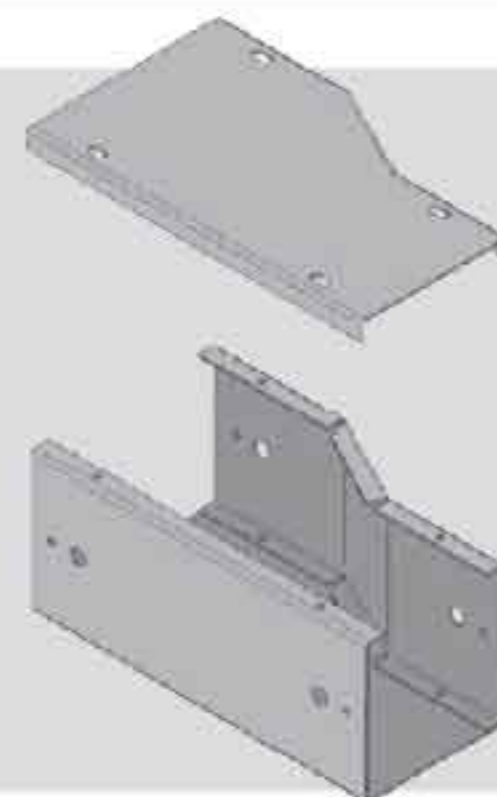
◀ **Flatwise Cross**
STK AC-1

Flatwise Tee ▶
STK AC-2



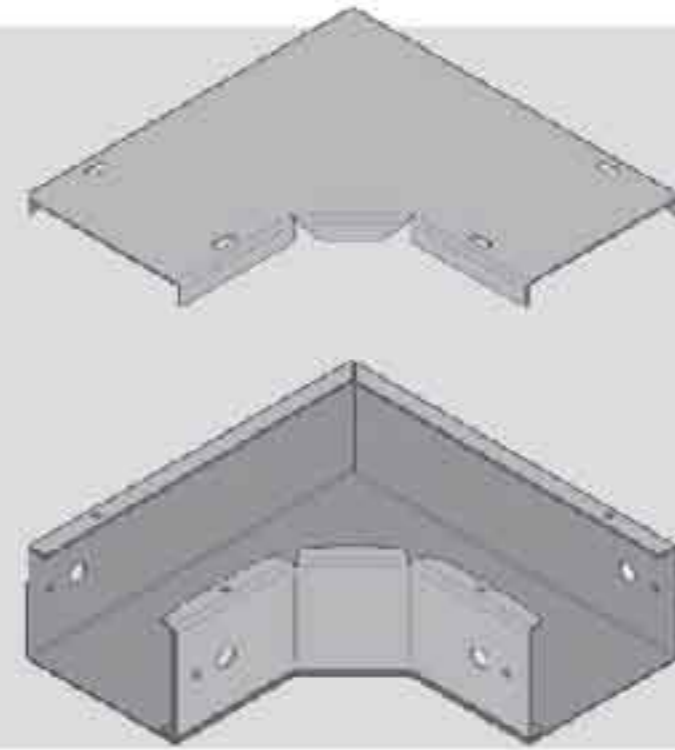
◀ **Righthand Reducer**
STK AC-3

Lefthand Reducer ▶
STK AC-4

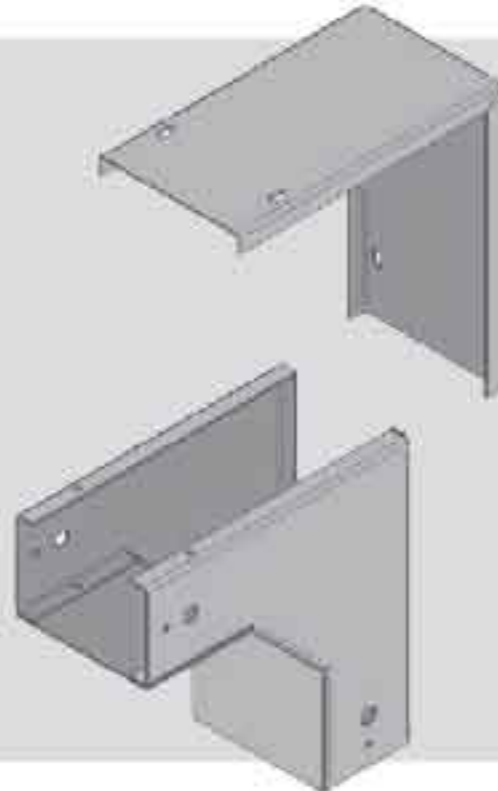


◀ **Straight Reducer**
STK AC-5

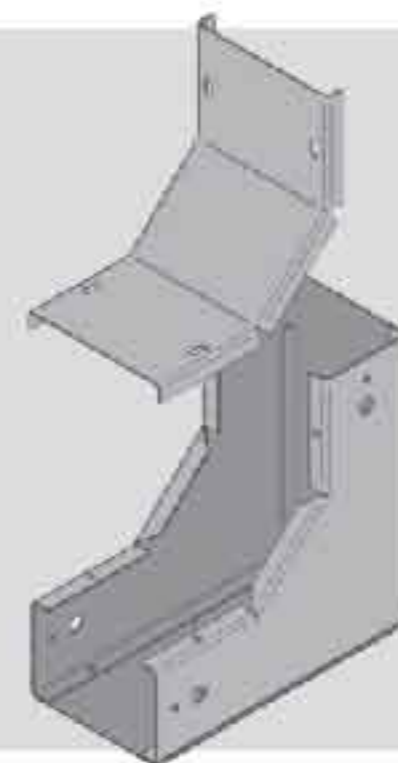
Flatwise Elbow ▶
STK AC-6



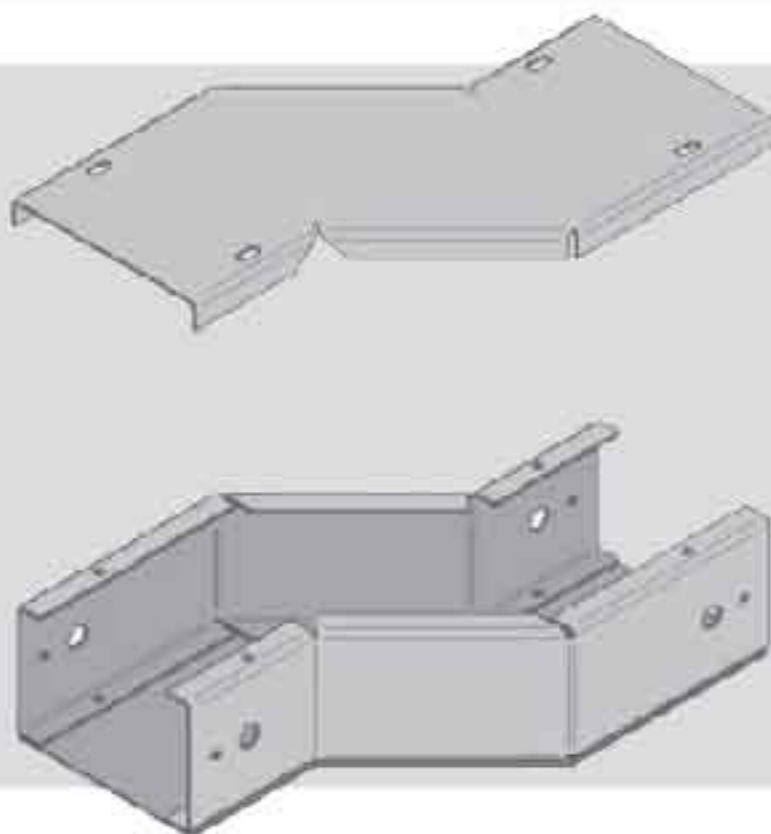
◀ Edgewise Elbow Left
STK AC-7



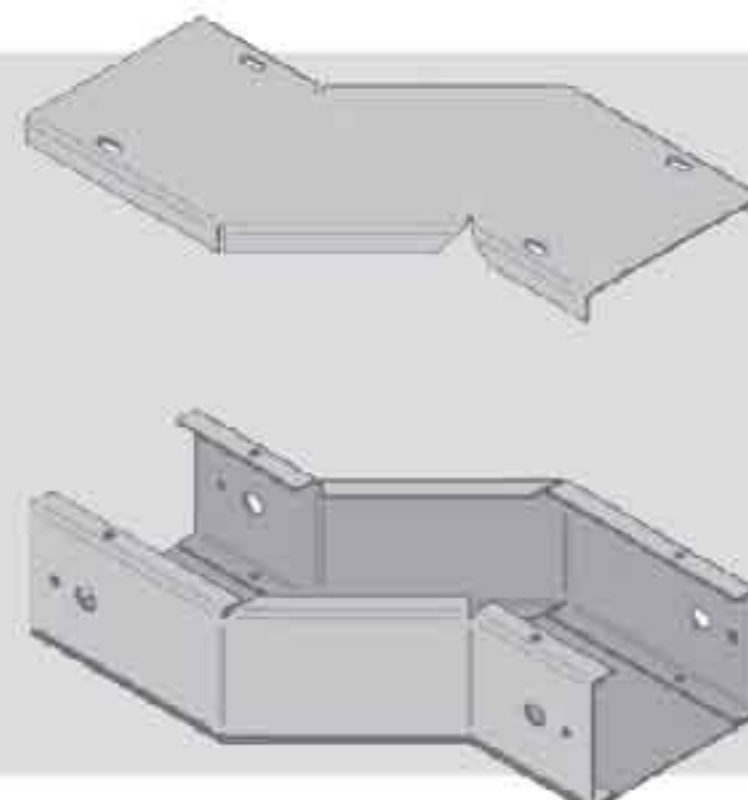
Edgewise Elbow Right ▶
STK AC-8

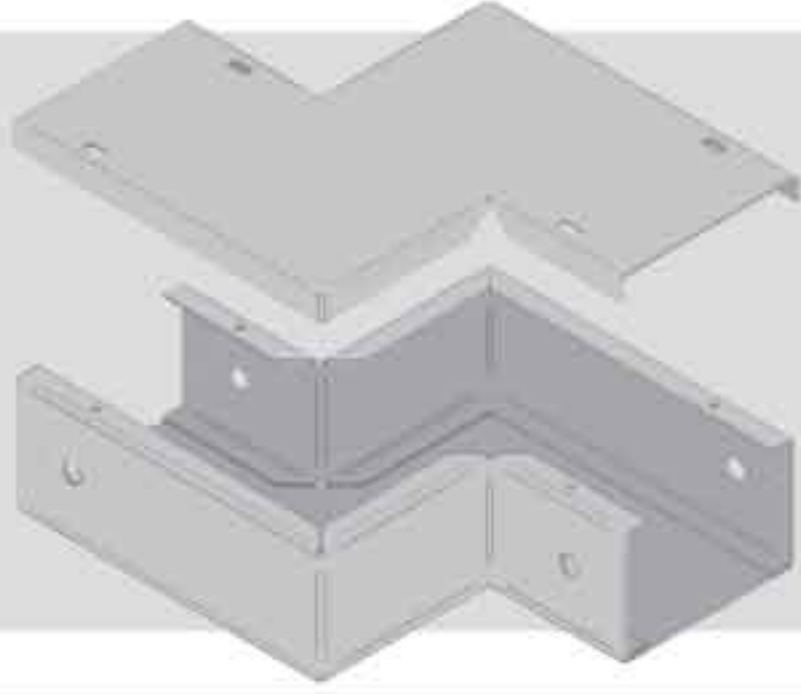


◀ Flatwise X Left STK AC-9



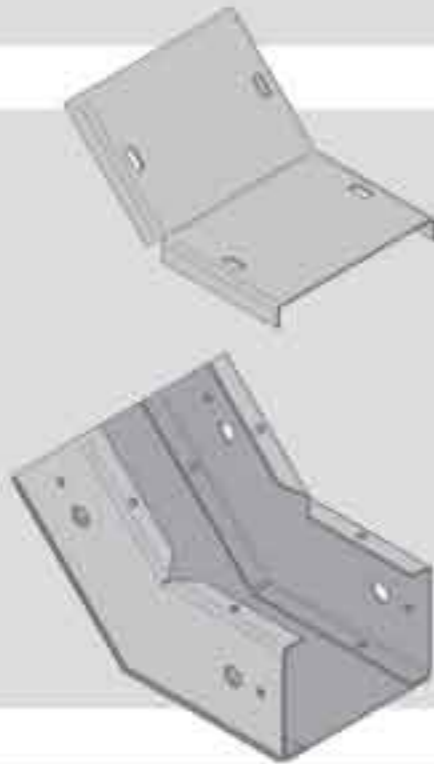
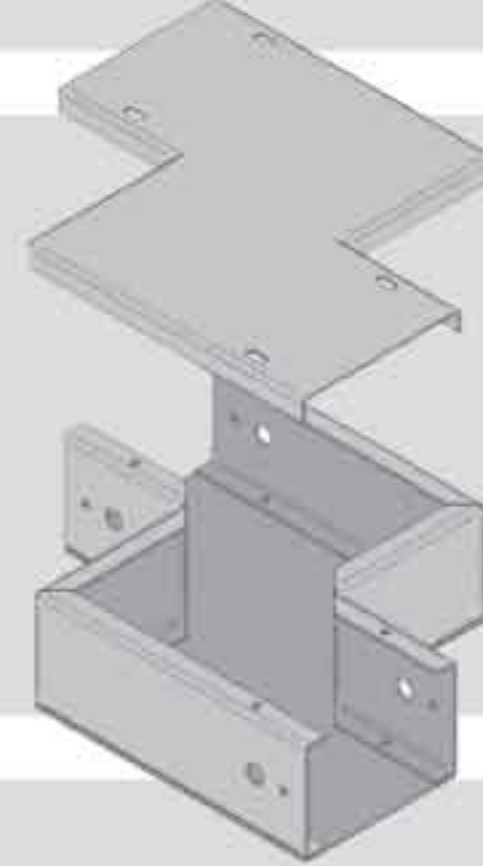
Flatwise X Right STK AC-10 ▶





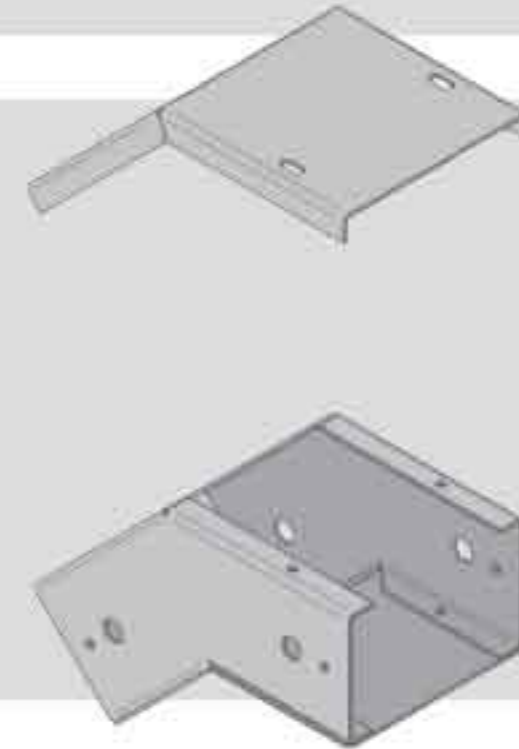
◀ **Flatwise Z Reverse** STK AC-11

Flatwise Z STK AC-12 ▶



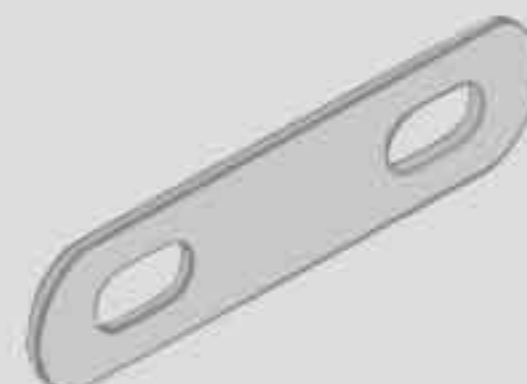
◀ **Elbow Bottom** STK AC-13

Elbow Top STK AC-14 ▶

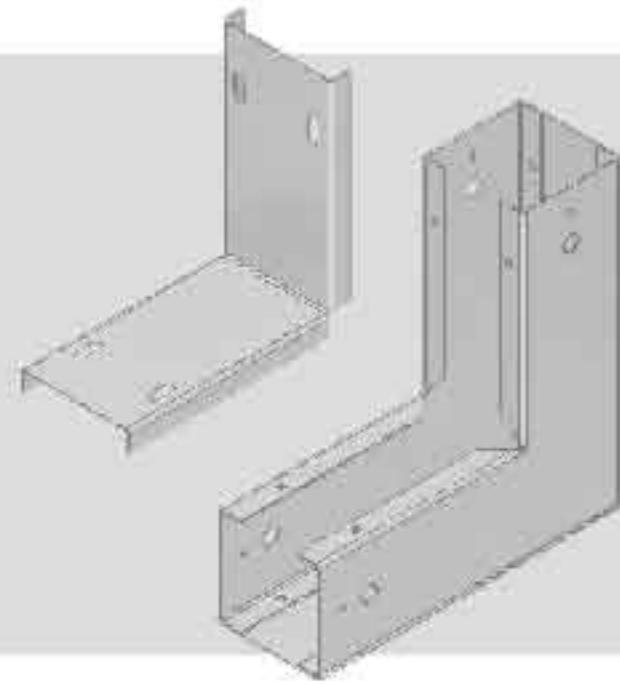
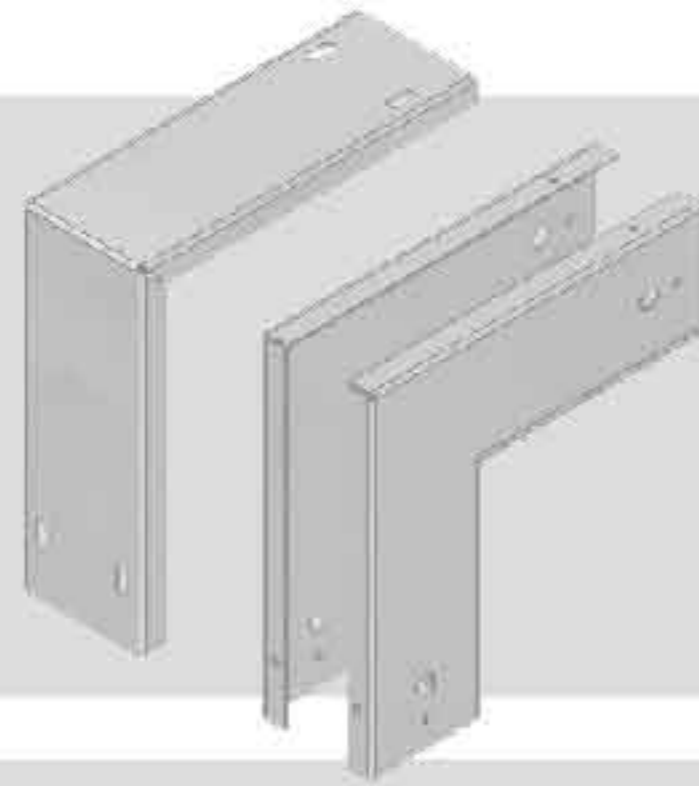


◀ **Elbow Front** STK AC-15

Earth Link STK AC-16 ▶

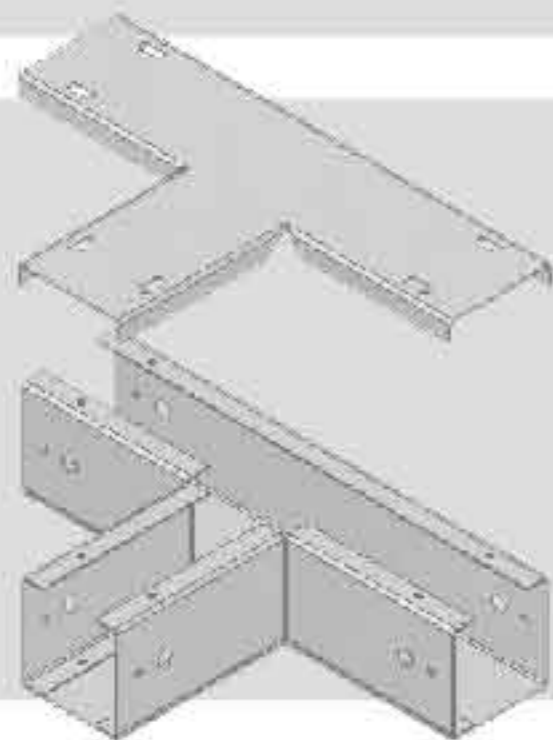
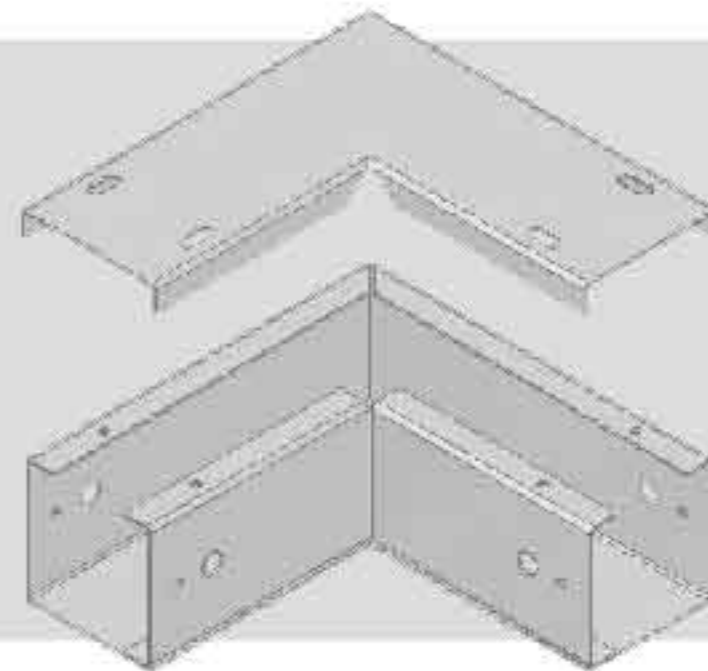


Corner Outside Riser STK AC-17 ▶



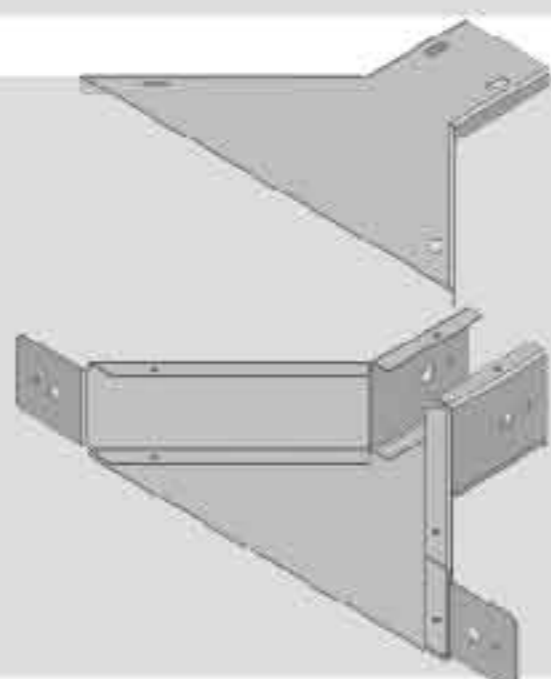
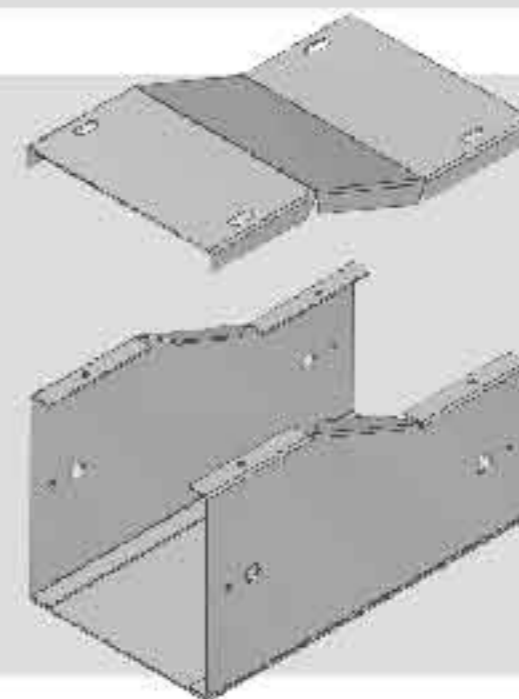
◀ Corner Inside Riser STK AC-18

Corner Elbow STK AC-19 ▶



◀ Corner Tee STK AC-20

Reducer Height STK AC-21 ▶



◀ Flange Outlet STK AC-22